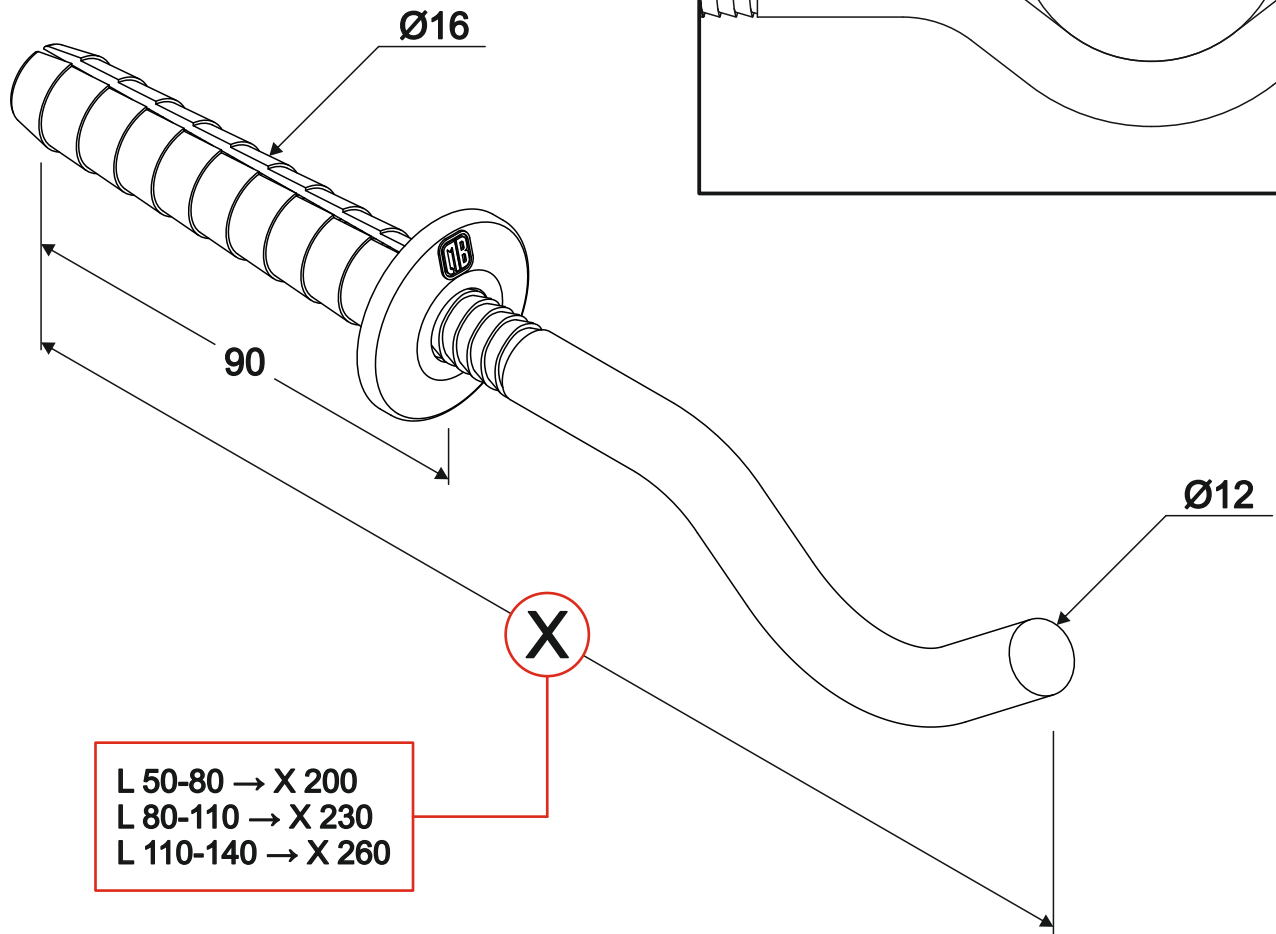


R12V



L 50-80	→ X 200
L 80-110	→ X 230
L 110-140	→ X 260

