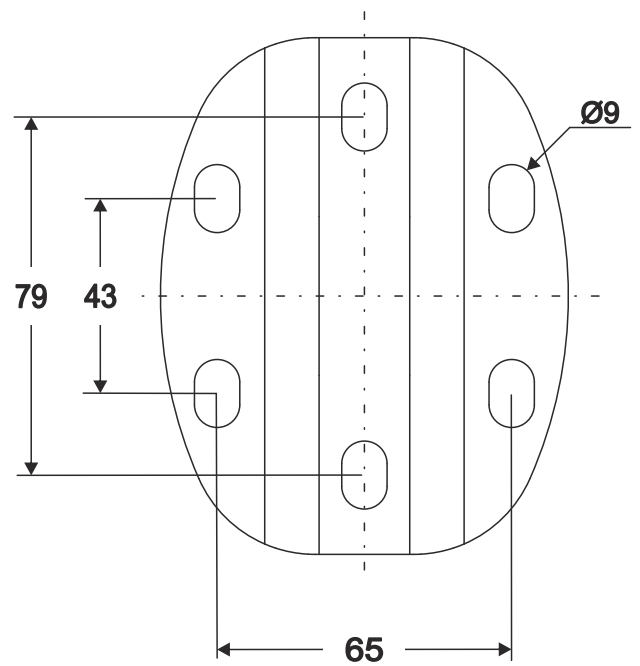
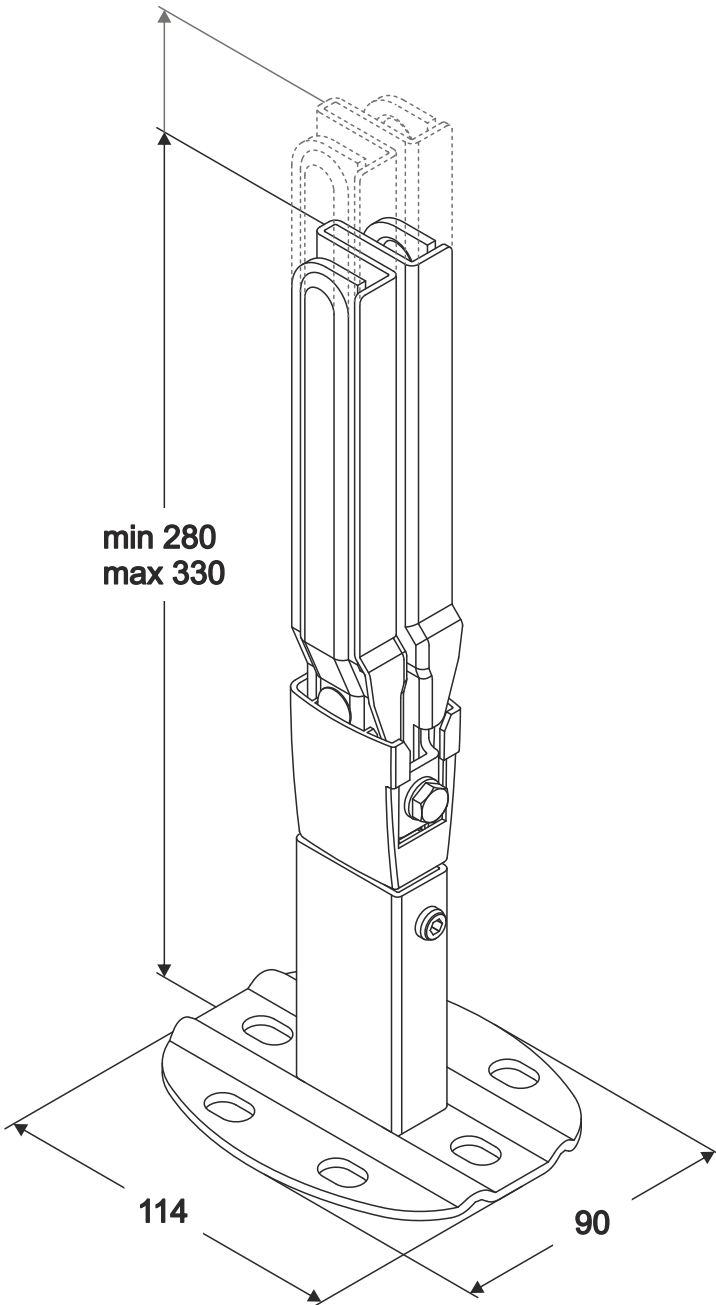






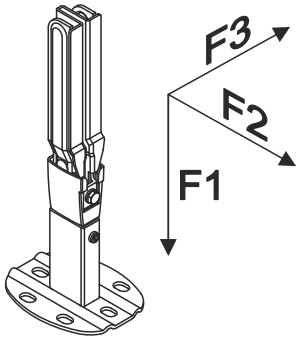
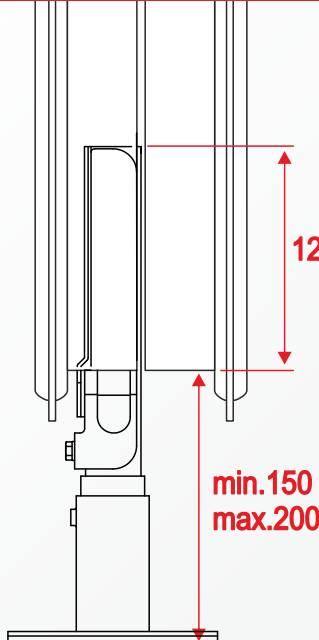
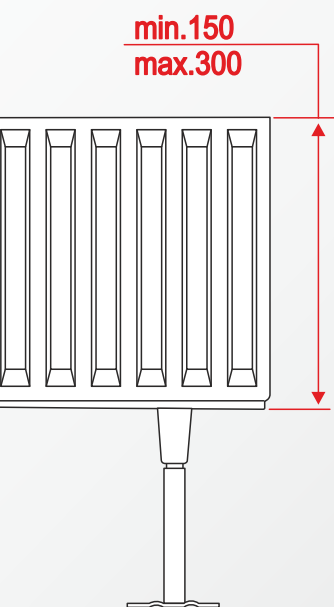
# PK23



N° B 15 01 68251 002 N° VA\_MES 15 06 059

PATENTED



<p>Type 11</p>  <p>Type 21</p>  <p>Type 22</p>  <p>Type 33</p> 	 <p>F1 = 2000N F2 = 700N F3 = 400N</p>	 <p>125</p>	 <p>min.150 max.300</p> <p>min.150 max.200</p>
---	---	---	---