

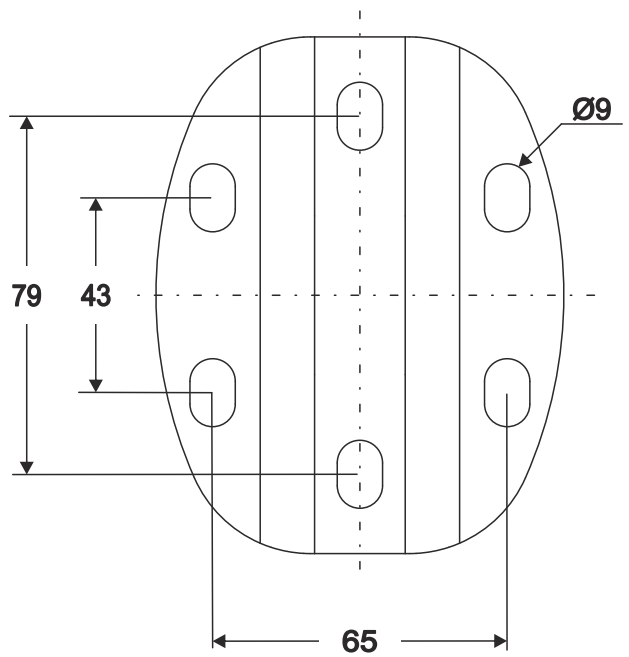
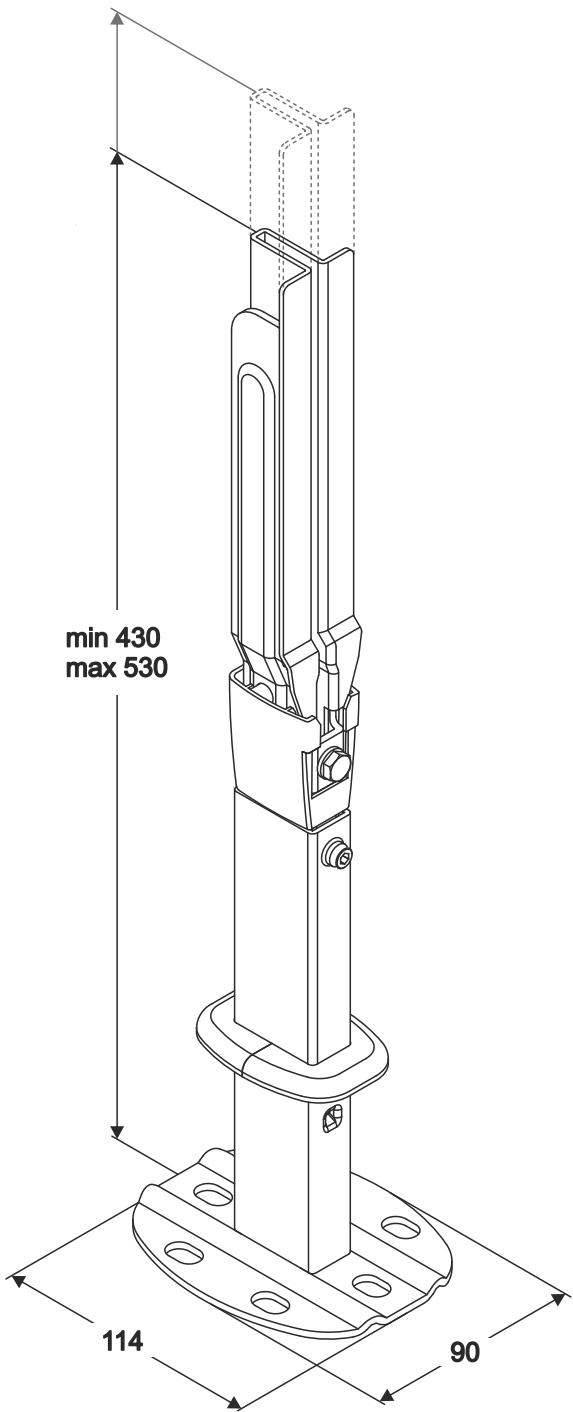
PK1





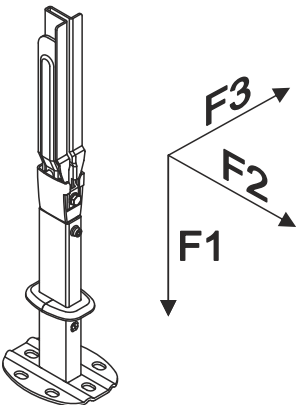
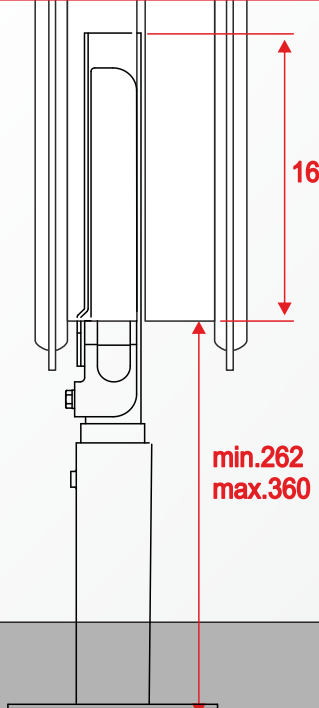
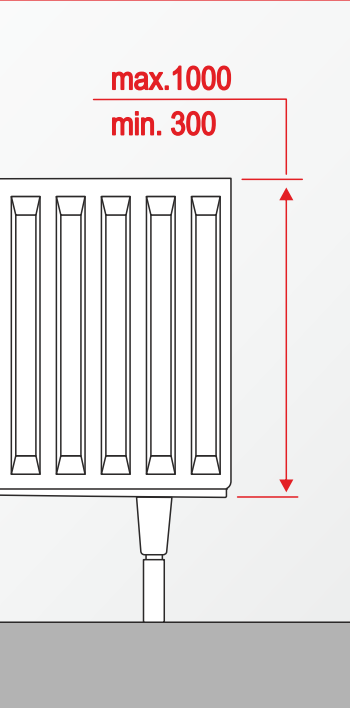


B 15 01 68251 002

VA_MES 15 06 059

PATENTED



<p>Type 11</p>  <p>Type 21</p>  <p>Type 22</p>  <p>Type 33</p> 	 <p>F1 F2 F3</p> <p>F1= 2000N F2= 700N F3= 400N</p>	 <p>165</p> <p>min.262 max.360</p>	 <p>max.1000 min.300</p>
---	--	--	---