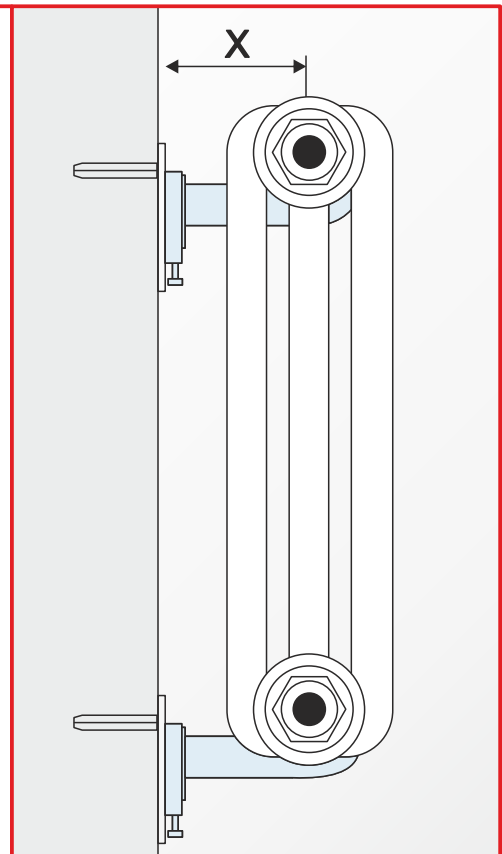
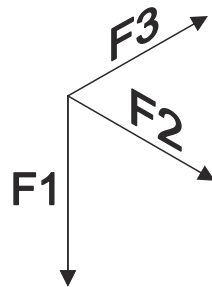
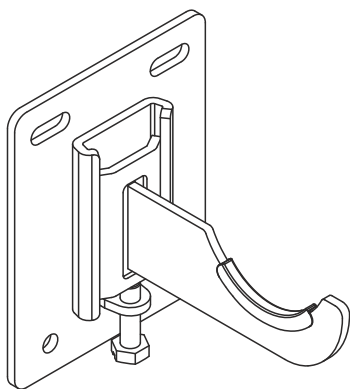
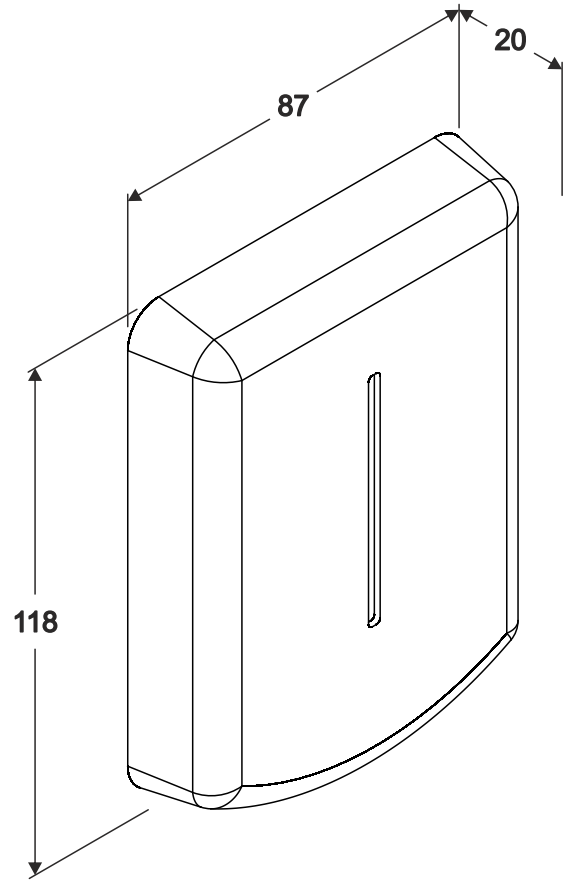
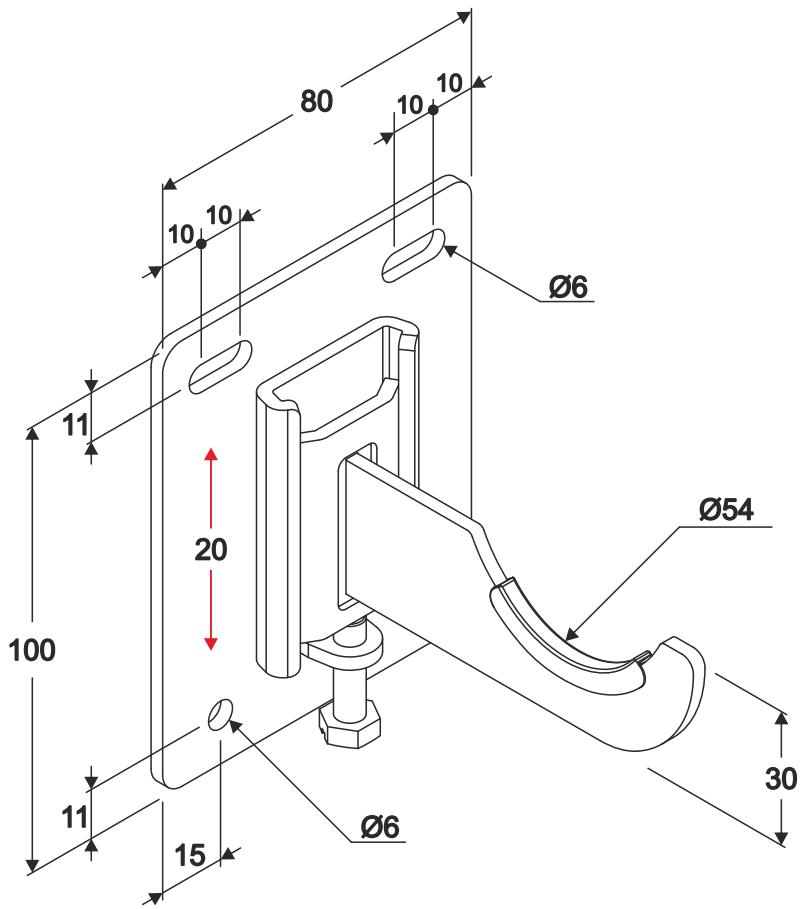


# M7



F1= 500N\* (X=53)

F1= 500N\* (X=74)

F1= 500N\* (X=94)

F1= 500N\* (X=115)

\*Each backplate ( part #39020005 ) is to be mounted on the wall with 4 appropriate screws (not included), max diameter 6 mm, ensuring it holds up to 50 Kg.