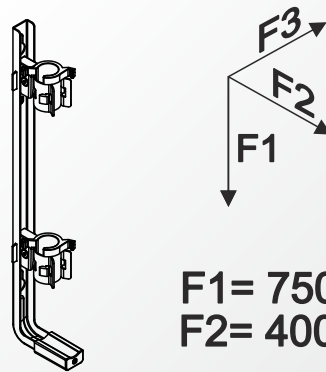
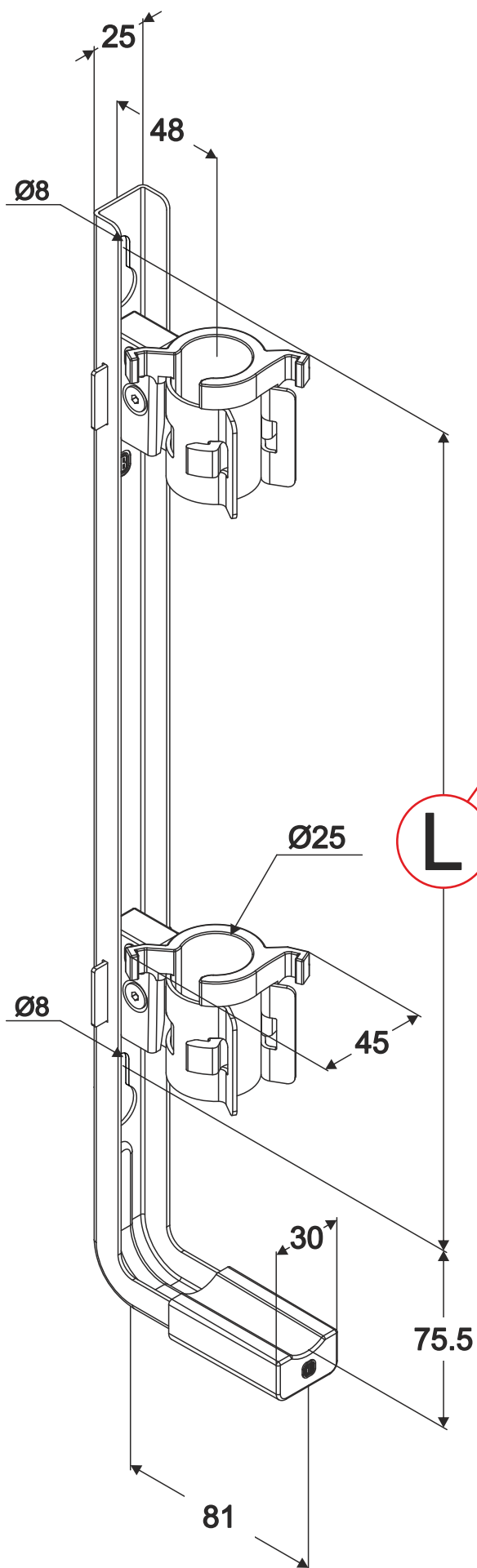


GTX

PATENTED



$F_1 = 750\text{N}$
 $F_2 = 400\text{N}$



VA_MES 15 06 059

H300 - 350 → L=153
H350 - 450 → L=243
H500 - 700 → L=343
H750 - 1000 → L=593

