

GBT

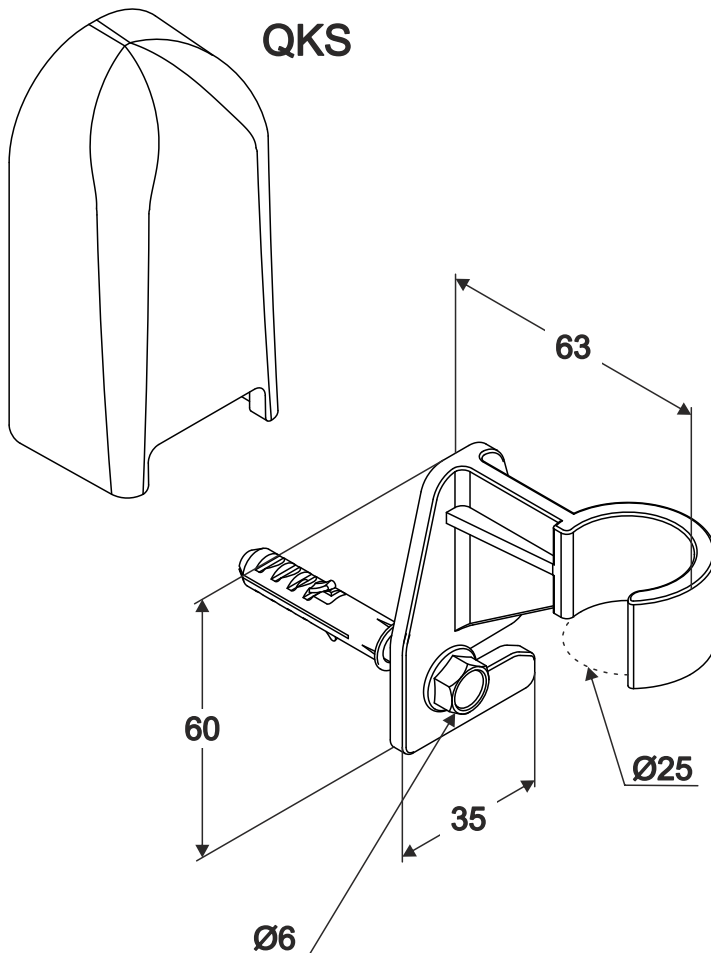
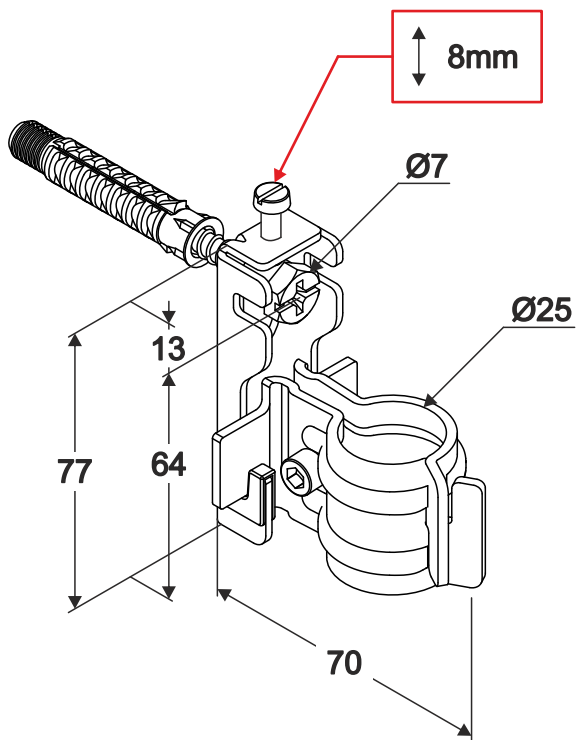
+

N6



PATENTED

VA_MES 15 06 059



QKS

