

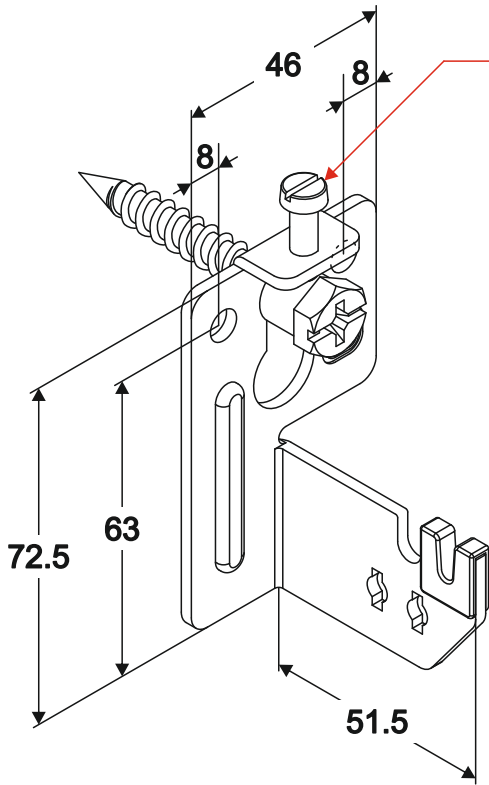
D30

+

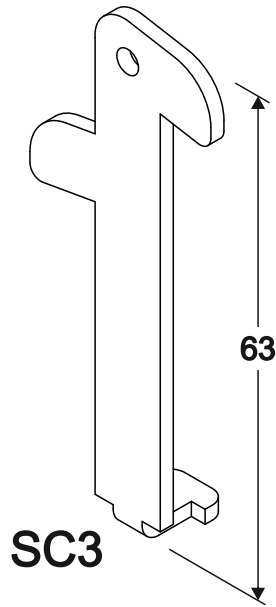
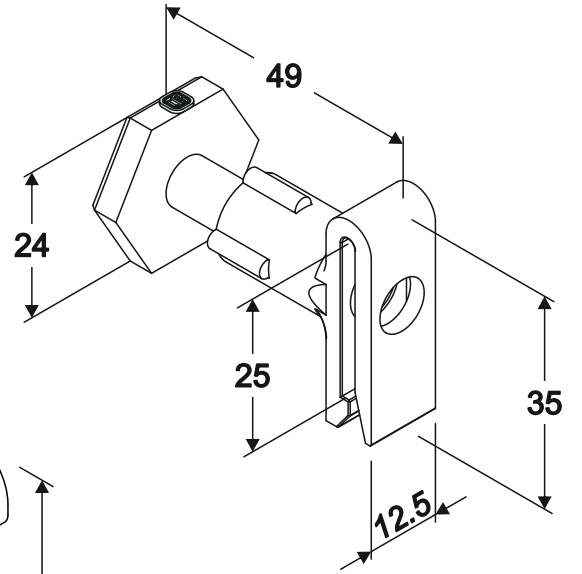
SC3

+

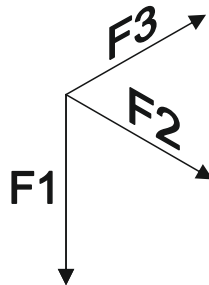
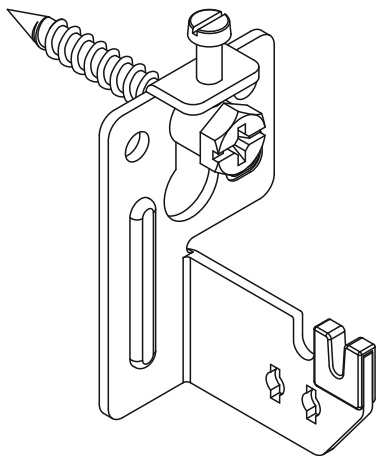
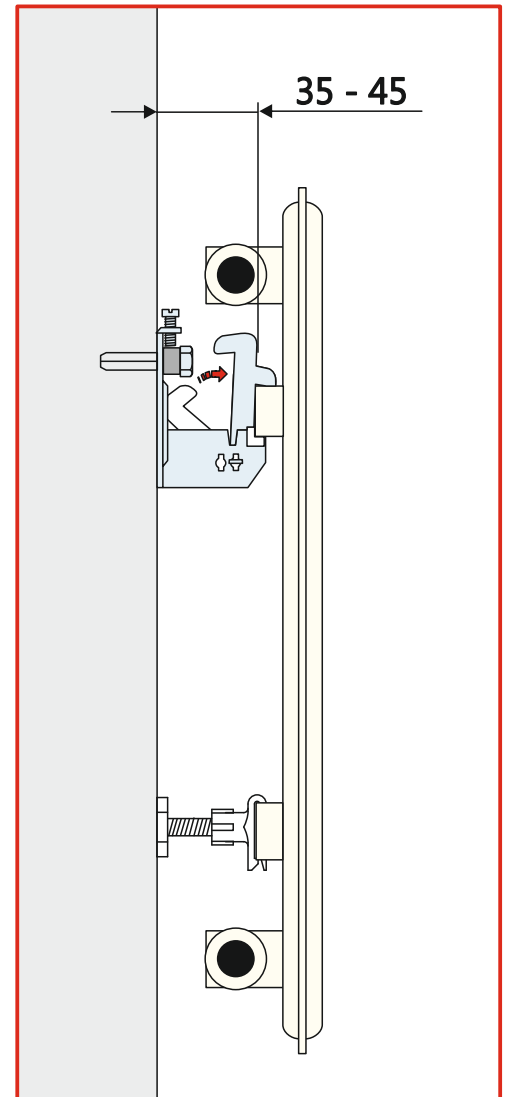
NS



8mm



SC3



$F_1 = 500N$
 $F_2 = 400N$