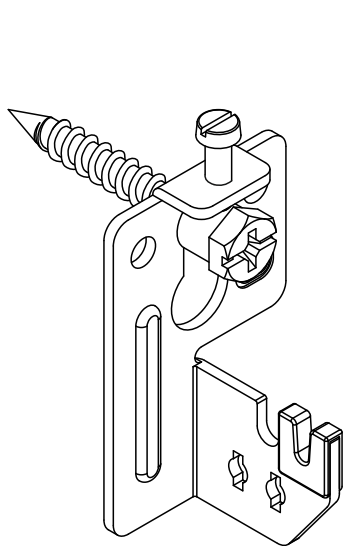
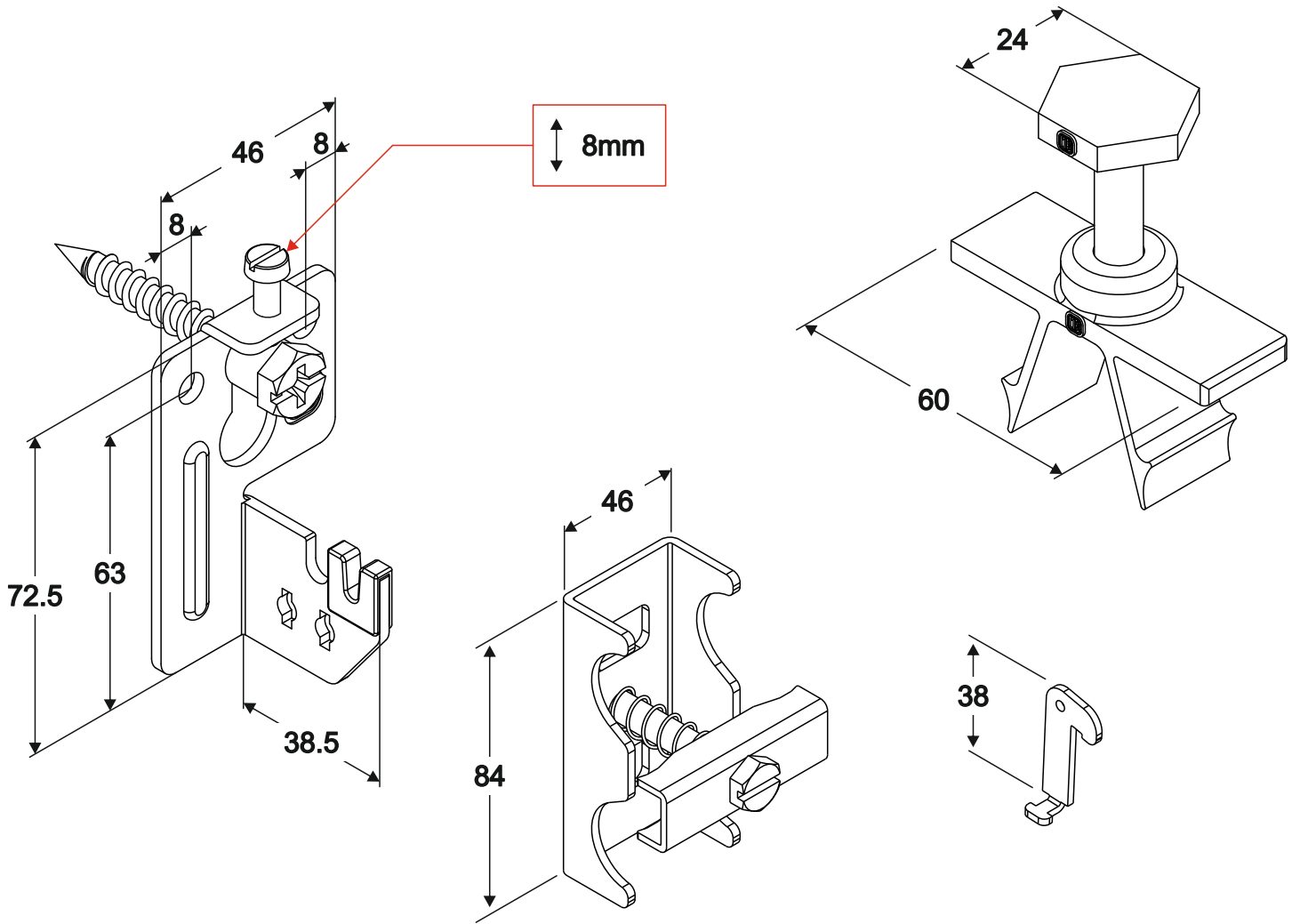


D3 + OTH + N5 + SC3H



$F_1=780N$
 $F_2=400N$

