

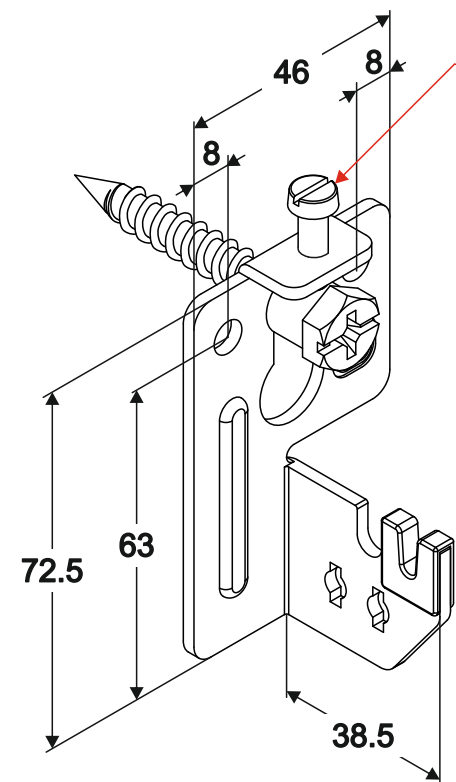
D3

+

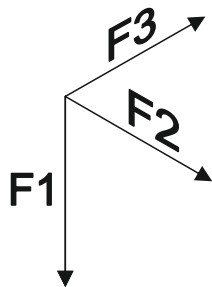
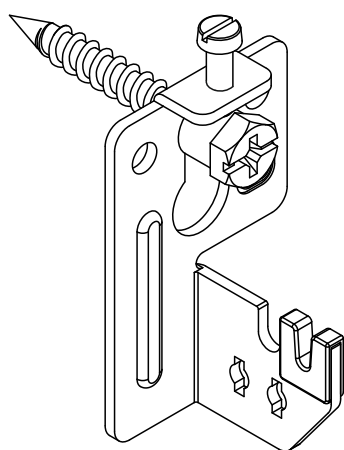
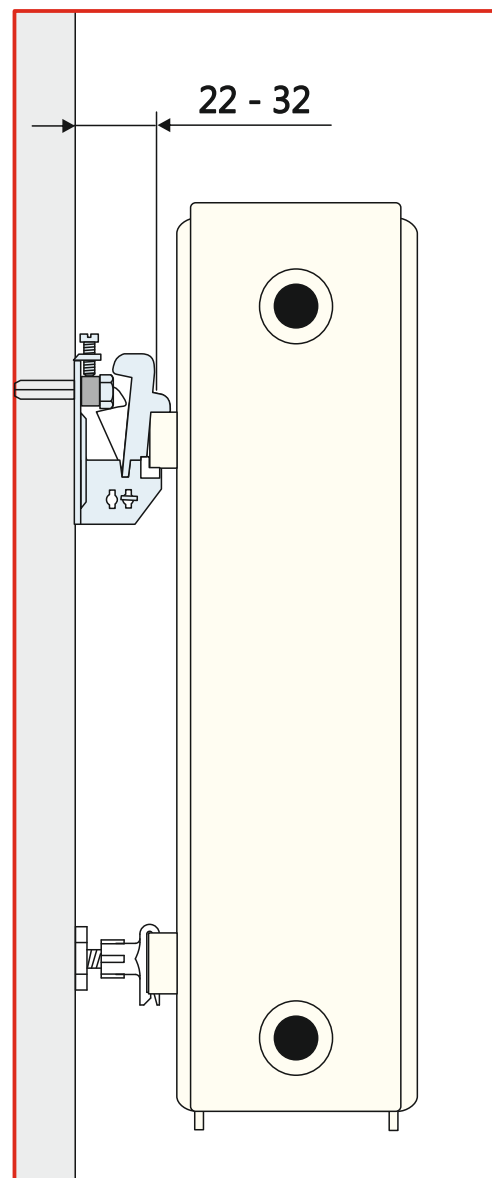
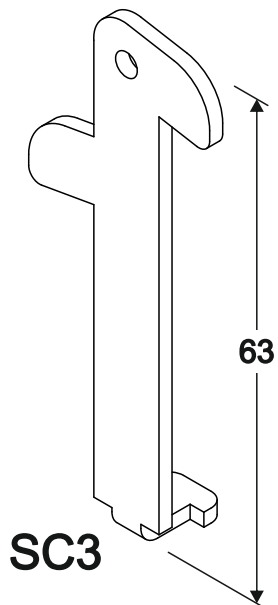
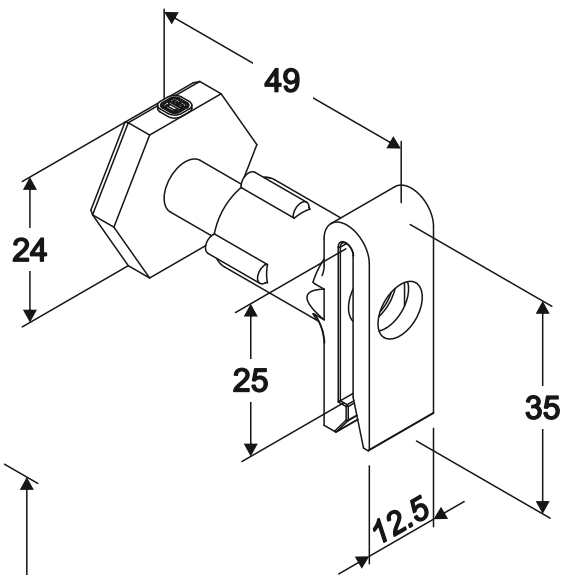
SC3

+

NS



8mm



$F_1 = 500N$   
 $F_2 = 400N$