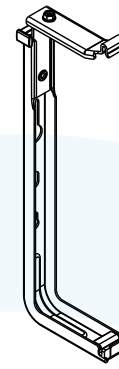
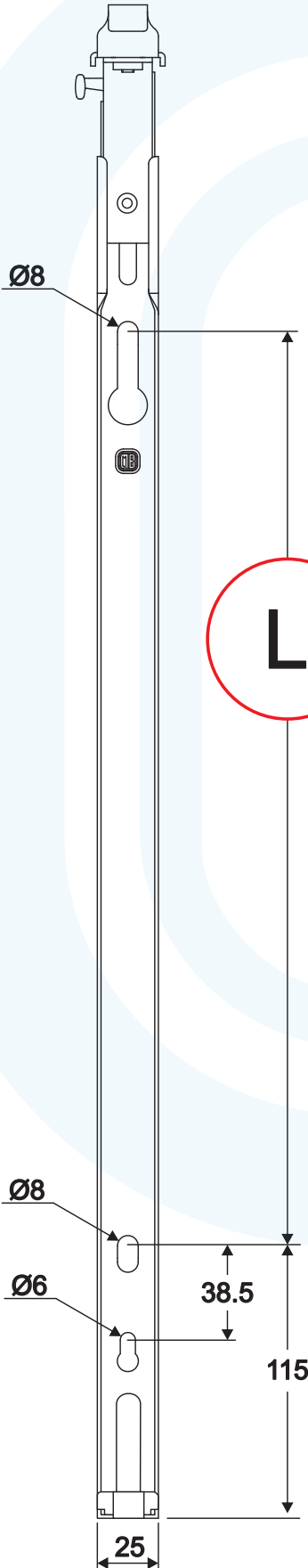


# F7L3

PATENTED



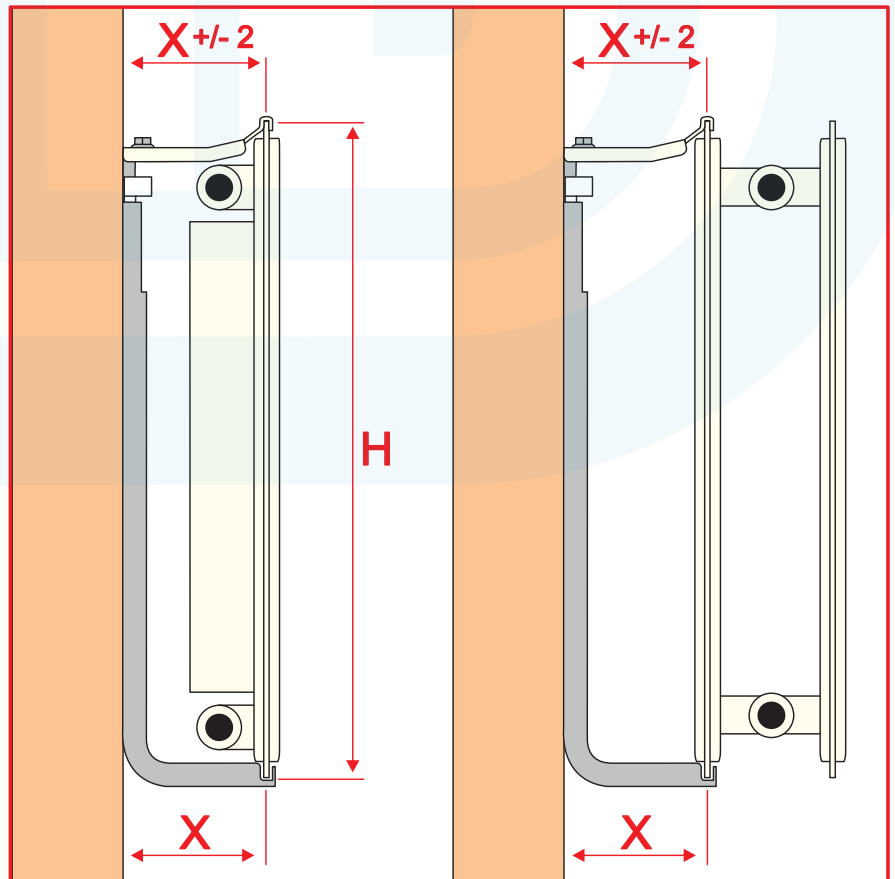
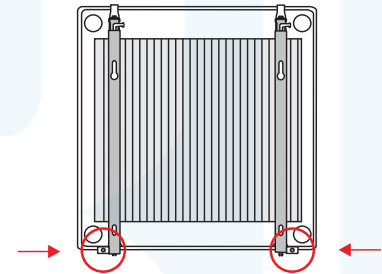
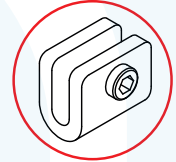
F1= 1000N  
F2= 500N  
F3= 500N



L

H300 → L 86  
H400 → L 186  
H500 → L 286  
H600 → L 386  
H700 → L 486  
H900 → L 686

2 x SC6



The stated load capacity refers to a single fastener under ideal test conditions.

The design and sizing of the fastening system, the load-bearing capacity of the installation substrate, and the radiator's compatibility are the responsibility of the engineer. The fastener manufacturer disclaims all liability for improper use or non-compliant installations.