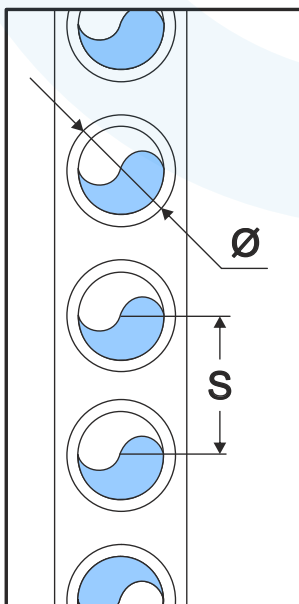
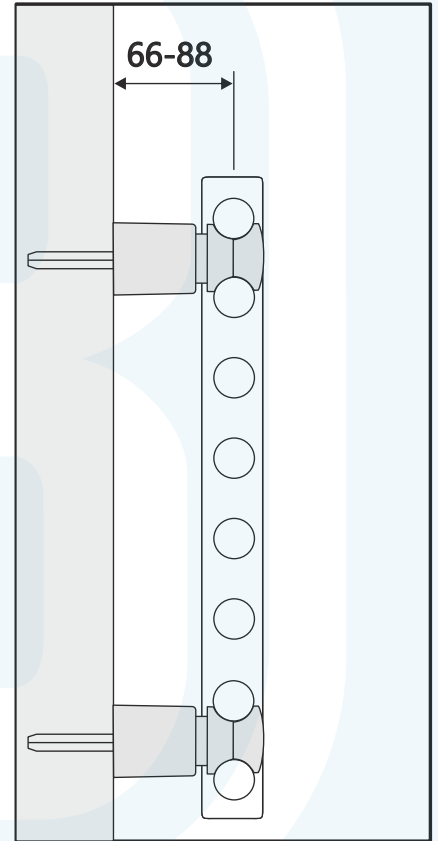
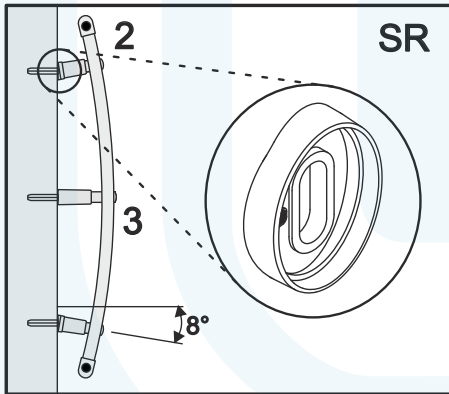
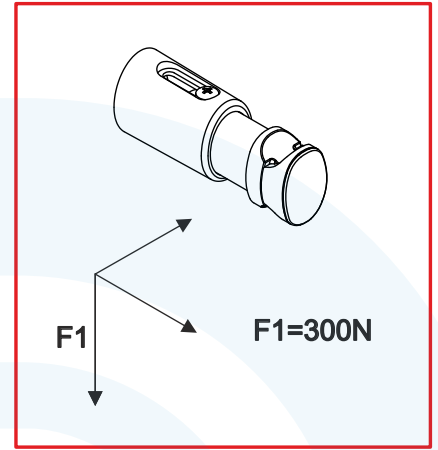
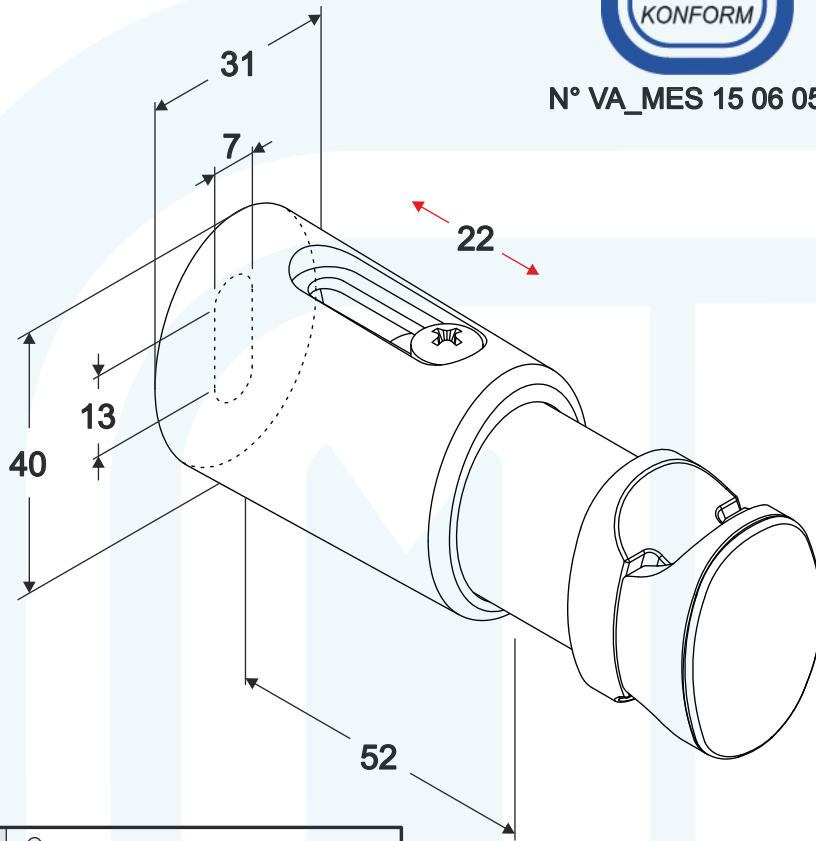


STN-N



N° VA_MES 15 06 059



Konsolen STN-N									
c \ S	36	38	40	42	44	45	46	48	
16	X	X	X						
17		X	X	X					
18		X	X	X					
19			X	X	X	X			
20			X	X	X	X	X		
21				X	X	X	X		
22				X	X	X	X		
23				X	X	X	X		
24					X	X	X		
25					X	X	X	X	

The stated load capacity refers to a single fastener under ideal test conditions. The design and sizing of the fastening system, the load-bearing capacity of the installation substrate, and the radiator's compatibility are the responsibility of the engineer. The fastener manufacturer disclaims all liability for improper use or non-compliant installations.