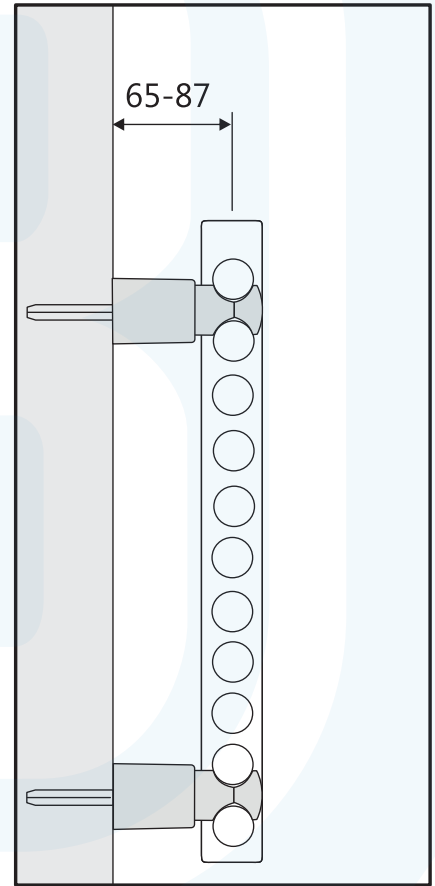
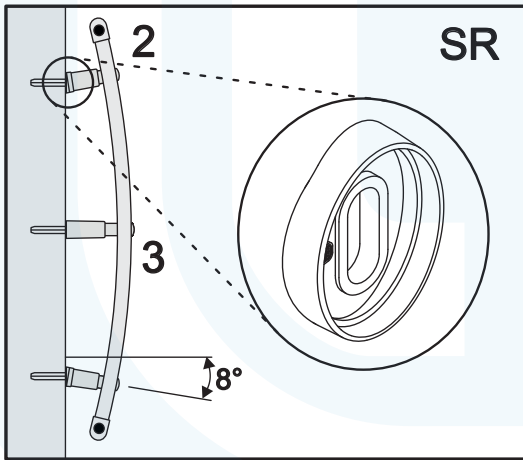
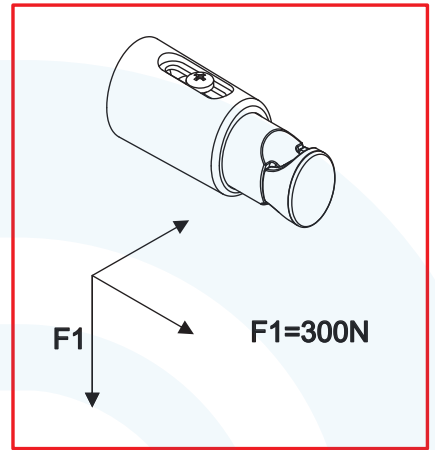
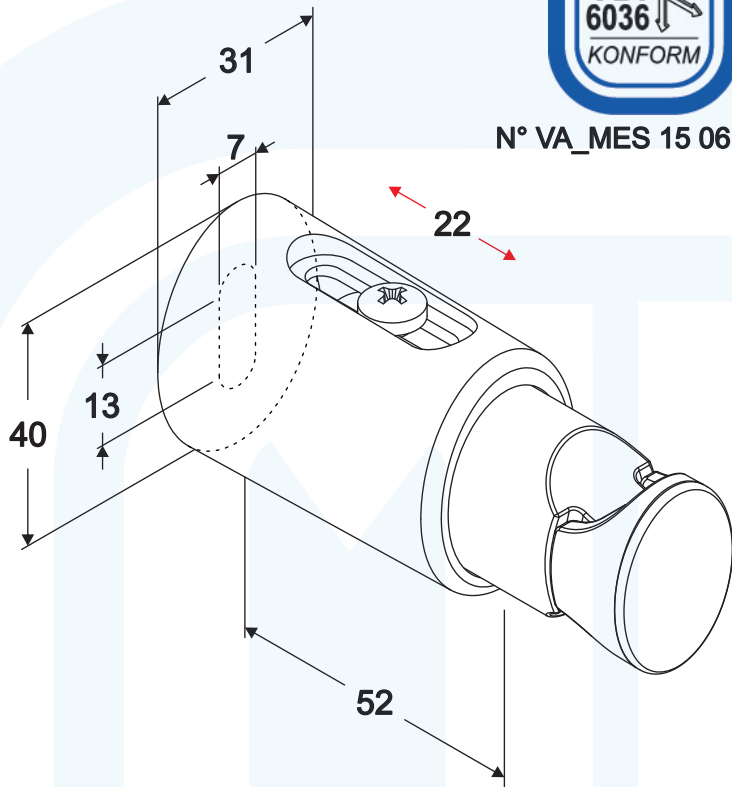


STN-I



N° VA_MES 15 06 059



		Mensole STN-I									
c	S	30	32	34	36	38	40	42	44	45	46
16		X	X								
17			X	X							
18			X	X	X						
19				X	X	X					
20				X	X	X					
21					X	X	X				
22					X	X	X	X			
23						X	X	X	X		
24						X	X	X	X	X	
25							X	X	X	X	X

The stated load capacity refers to a single fastener under ideal test conditions. The design and sizing of the fastening system, the load-bearing capacity of the installation substrate, and the radiator's compatibility are the responsibility of the engineer. The fastener manufacturer disclaims all liability for improper use or non-compliant installations.