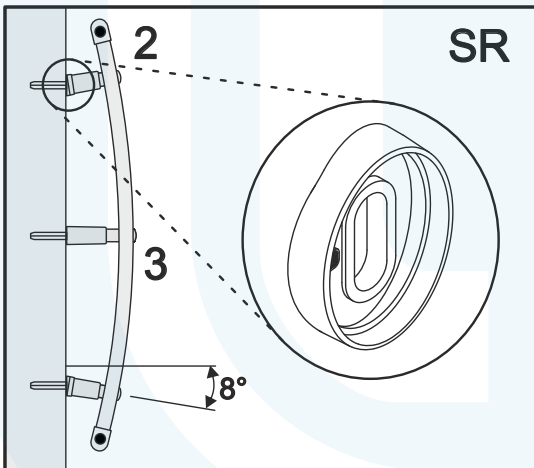
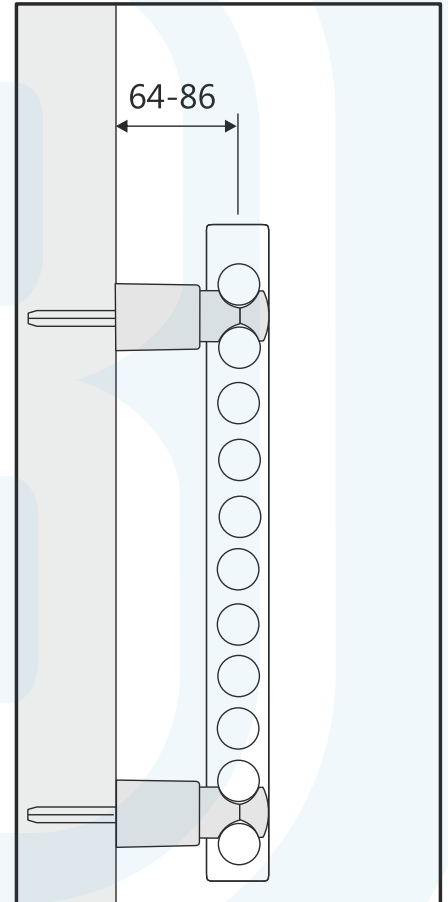
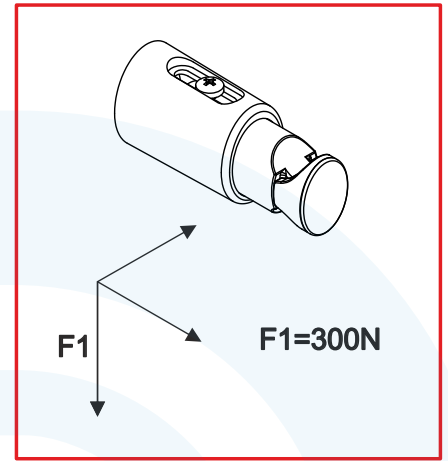
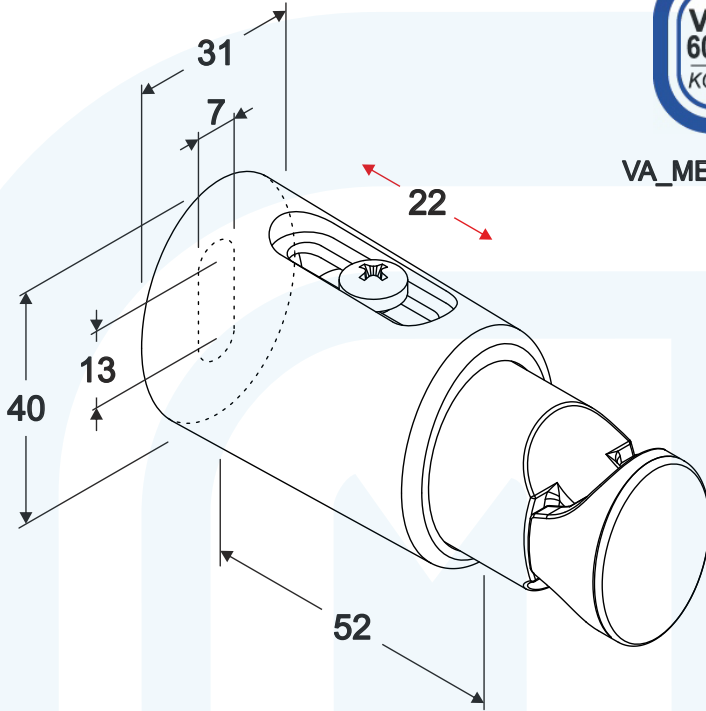


STN



VA_MES 15 06 059



		Konsolen STN								
Ø	S	28	30	32	34	36	38	40	42	
	16	X	X	X						
	17	X	X	X	X					
	18		X	X	X					
	19		X	X	X	X				
	20			X	X	X	X			
	21			X	X	X	X			
	22				X	X	X			
	23				X	X	X			
	24				X	X	X	X		
	25					X	X	X	X	

The stated load capacity refers to a single fastener under ideal test conditions.

The design and sizing of the fastening system, the load-bearing capacity of the installation substrate, and the radiator's compatibility are the responsibility of the engineer. The fastener manufacturer disclaims all liability for improper use or non-compliant installations.