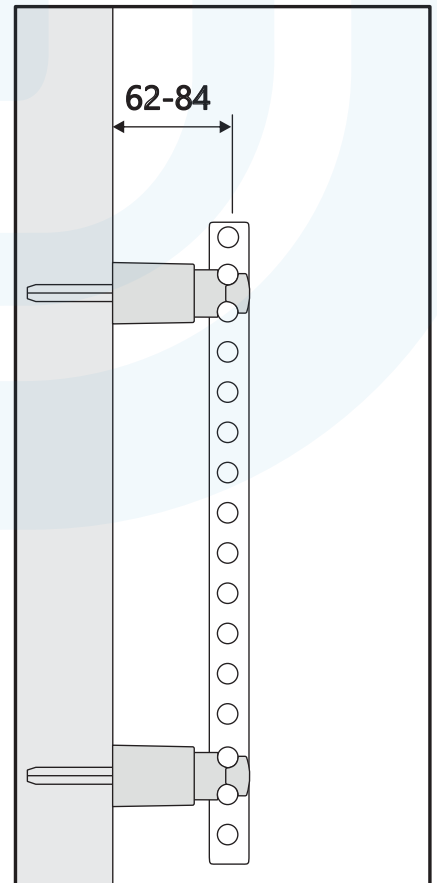
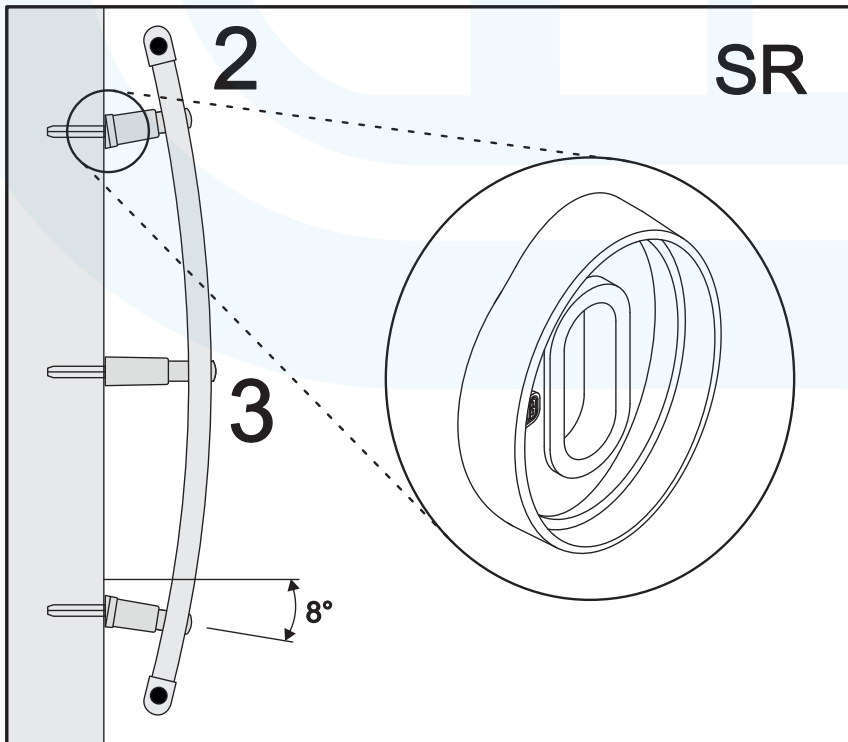
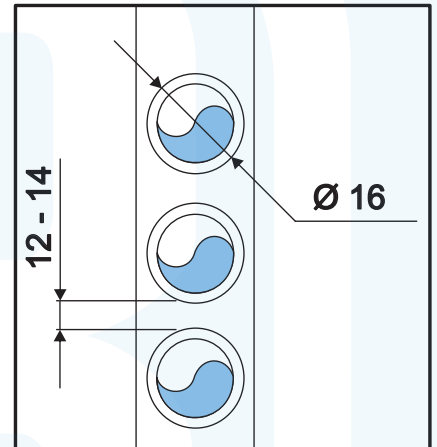
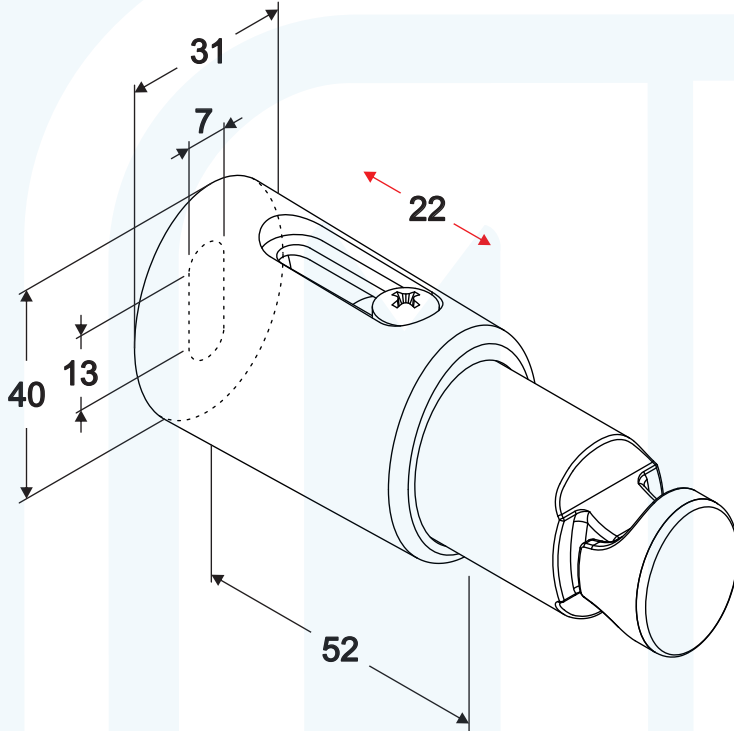
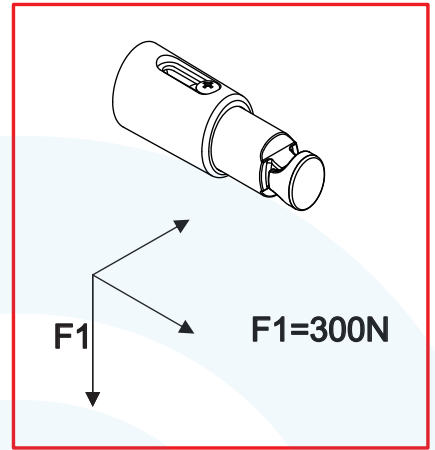


# STN-S



N° VA\_MES 15 06 059



The stated load capacity refers to a single fastener under ideal test conditions.  
The design and sizing of the fastening system, the load-bearing capacity of the installation substrate, and the radiator's compatibility are the responsibility of the engineer. The fastener manufacturer disclaims all liability for improper use or non-compliant installations.