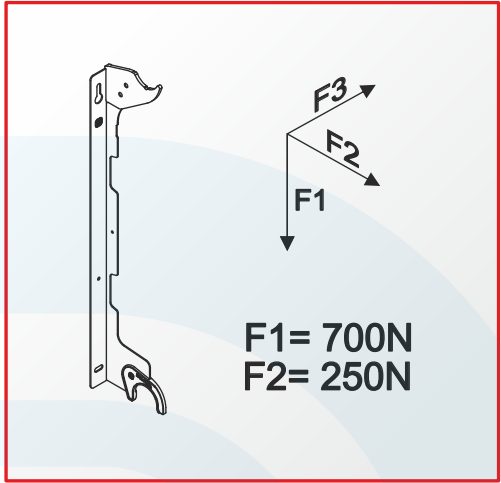
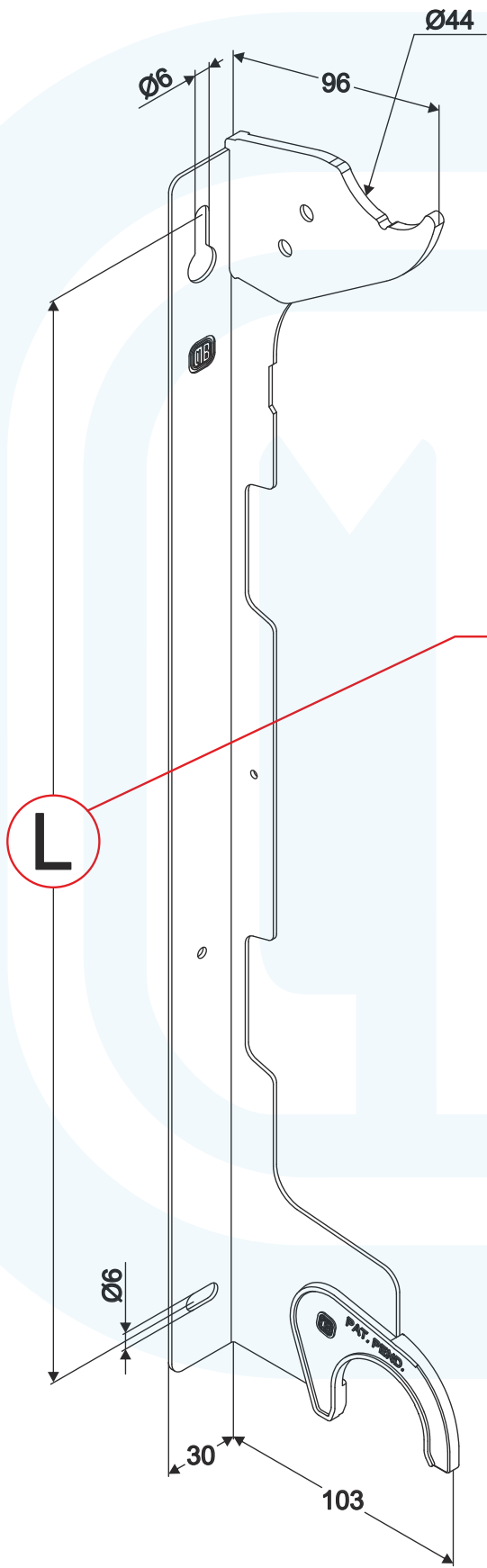


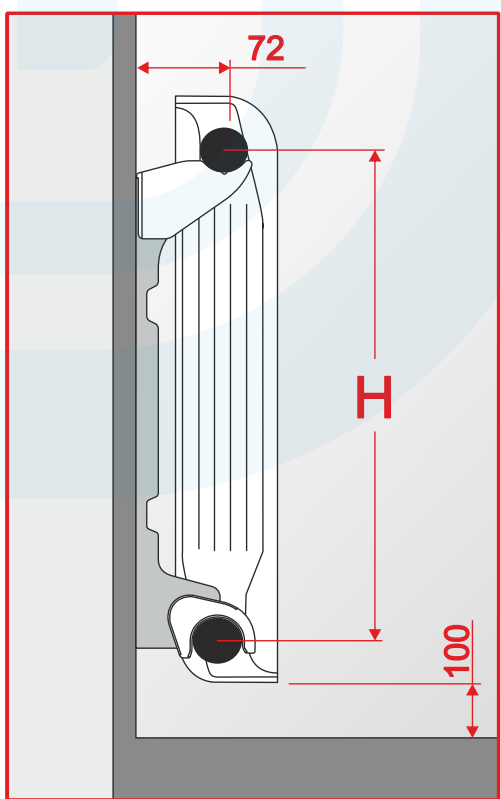
GBA



$F_1 = 700N$
 $F_2 = 250N$

PATENTED

H350	→	L=284
H500	→	L=434
H600	→	L=534
H700	→	L=634
H800	→	L=734



The stated load capacity refers to a single fastener under ideal test conditions. The design and sizing of the fastening system, the load-bearing capacity of the installation substrate, and the radiator's compatibility are the responsibility of the engineer. The fastener manufacturer disclaims all liability for improper use or non-compliant installations.