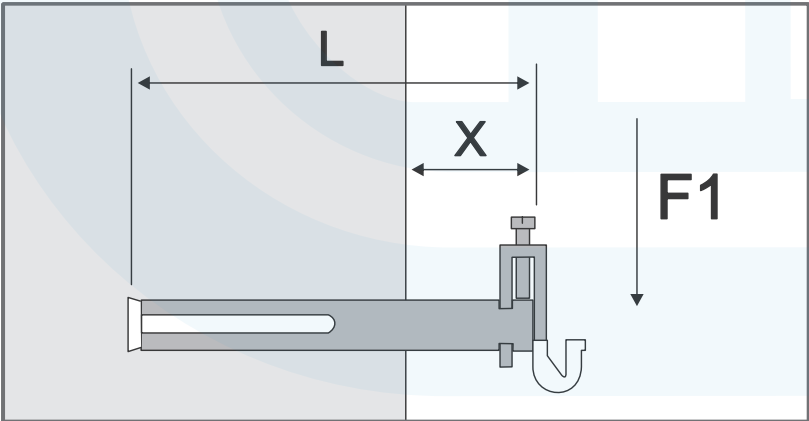
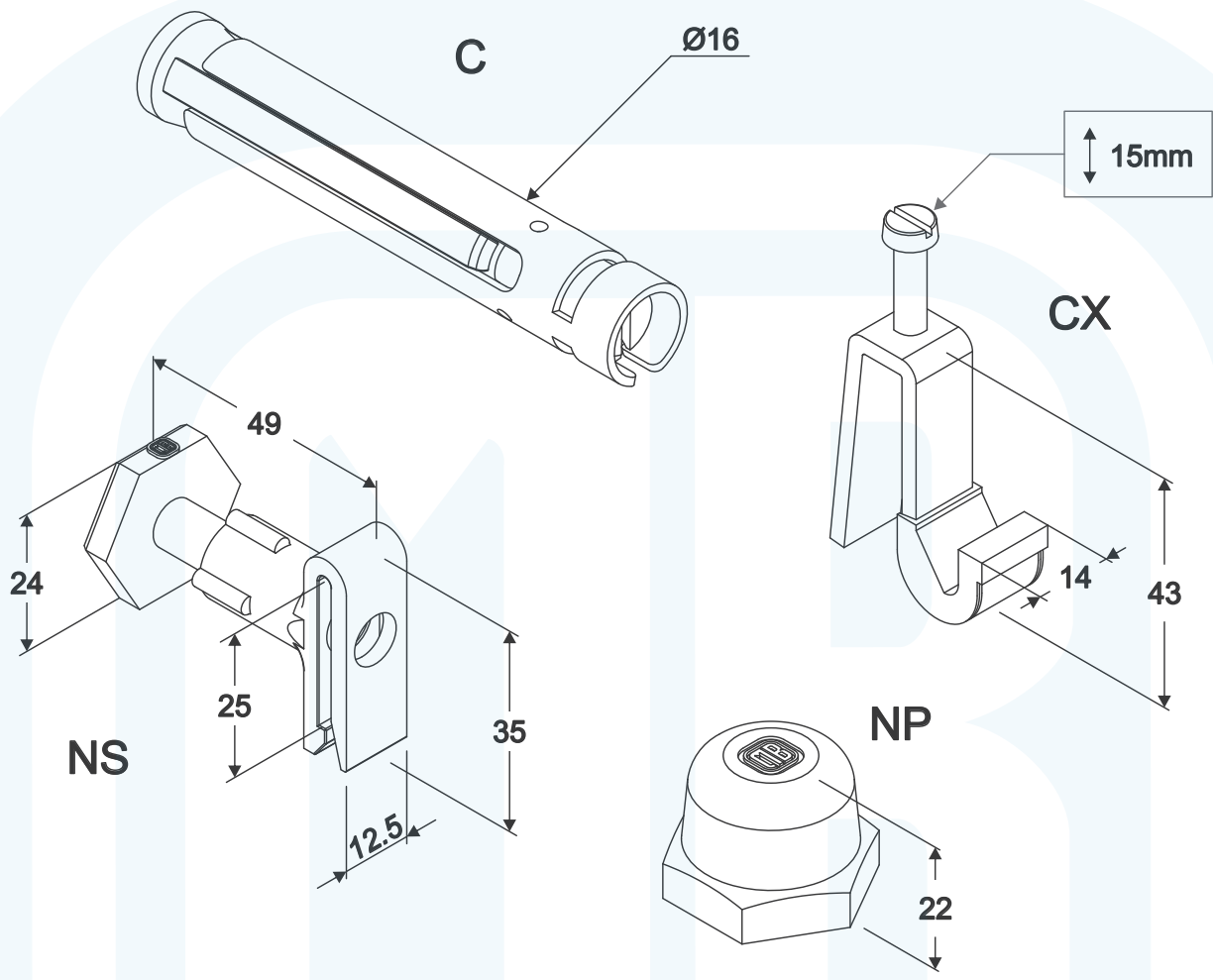
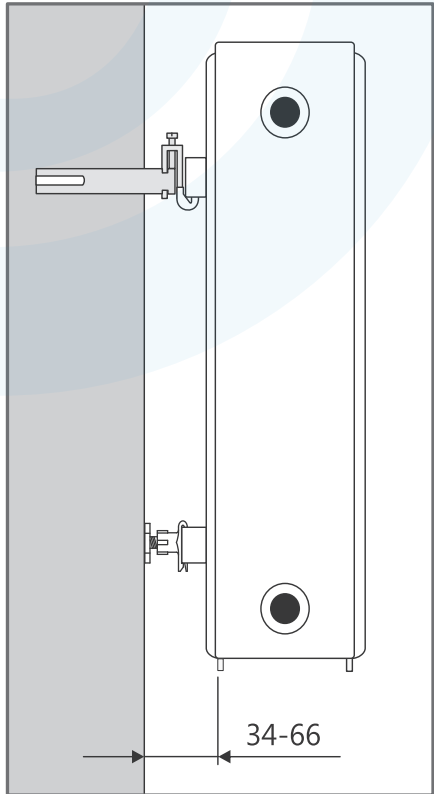


C-CX-NS-NP



L	X	F1
90	30	900N
120	50	700N
160	70	550N
180	80	400N
240	120	300N



The stated load capacity refers to a single fastener under ideal test conditions. The design and sizing of the fastening system, the load-bearing capacity of the installation substrate, and the radiator's compatibility are the responsibility of the engineer. The fastener manufacturer disclaims all liability for improper use or non-compliant installations.