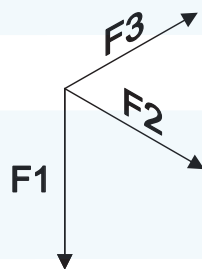
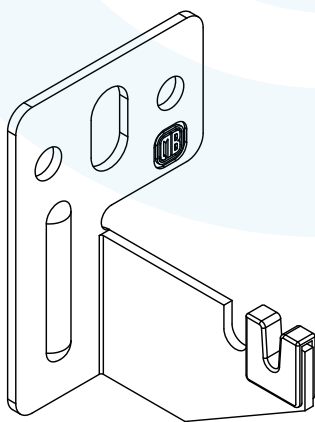
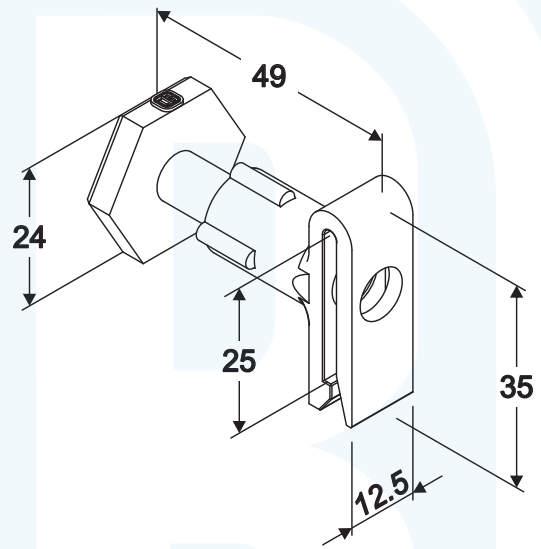
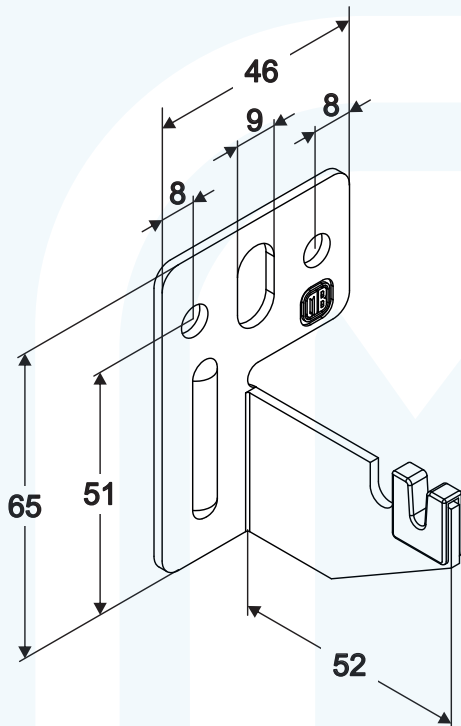


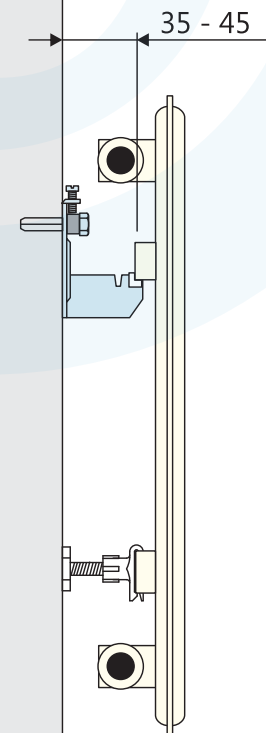
D20

+

NS



$F_1 = 500\text{N}$
 $F_2 = 400\text{N}$



The stated load capacity refers to a single fastener under ideal test conditions.

The design and sizing of the fastening system, the load-bearing capacity of the installation substrate, and the radiator's compatibility are the responsibility of the engineer. The fastener manufacturer disclaims all liability for improper use or non-compliant installations.