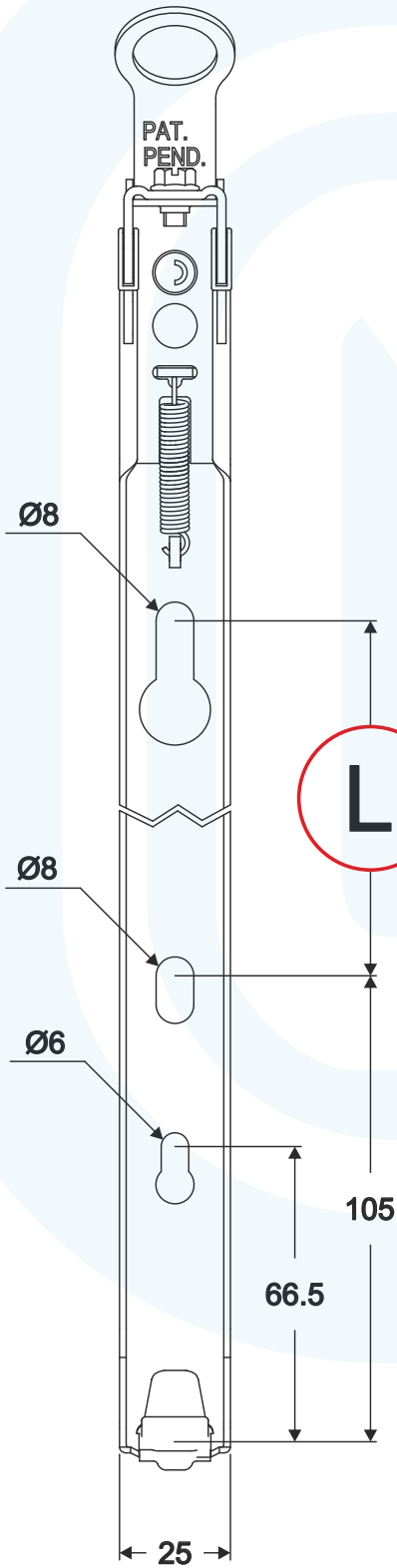
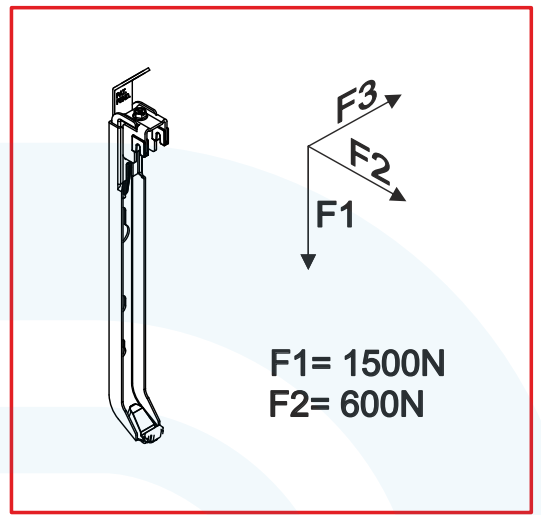


F8

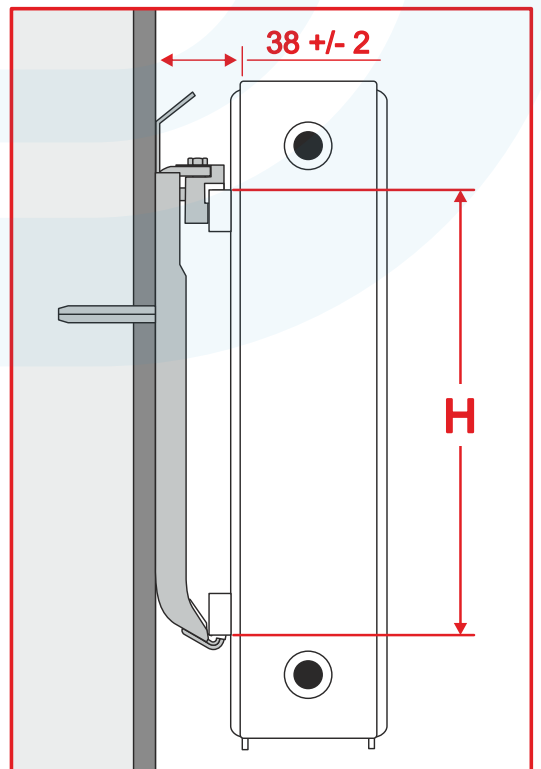
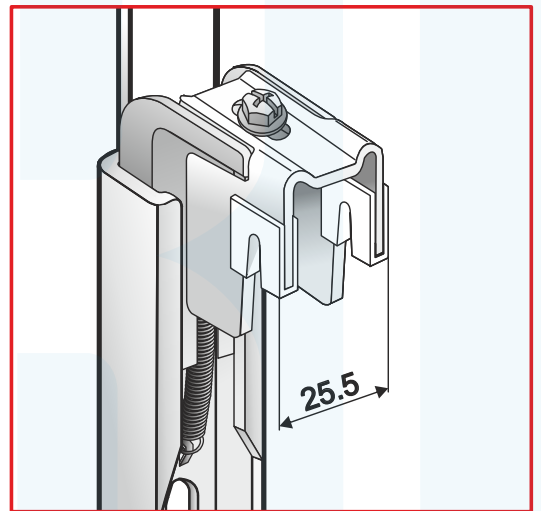


L

H210	→	L 62
H310	→	L 124
H410	→	L 224
H710	→	L 524



$F_1 = 1500\text{N}$
 $F_2 = 600\text{N}$



The stated load capacity refers to a single fastener under ideal test conditions. The design and sizing of the fastening system, the load-bearing capacity of the installation substrate, and the radiator's compatibility are the responsibility of the engineer. The fastener manufacturer disclaims all liability for improper use or non-compliant installations.