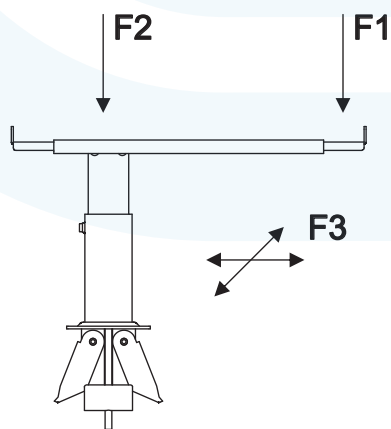
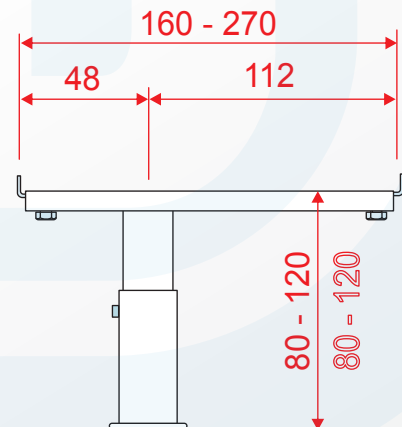
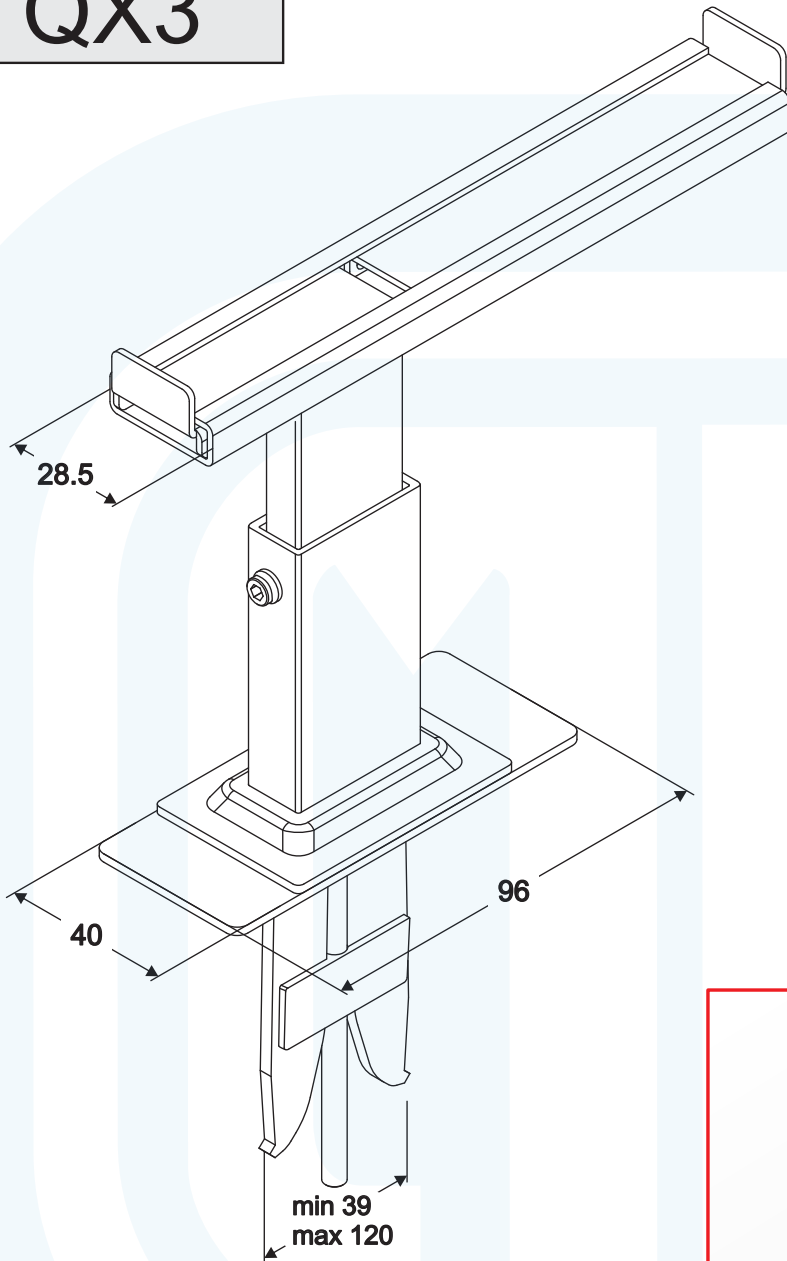


QX3



F1 max 300N	F2 max 500N	F3 max 150N
-----------------------	-----------------------	-----------------------

The stated load capacity refers to a single fastener under ideal test conditions.

The design and sizing of the fastening system, the load-bearing capacity of the installation substrate, and the radiator's compatibility are the responsibility of the engineer. The fastener manufacturer disclaims all liability for improper use or non-compliant installations.