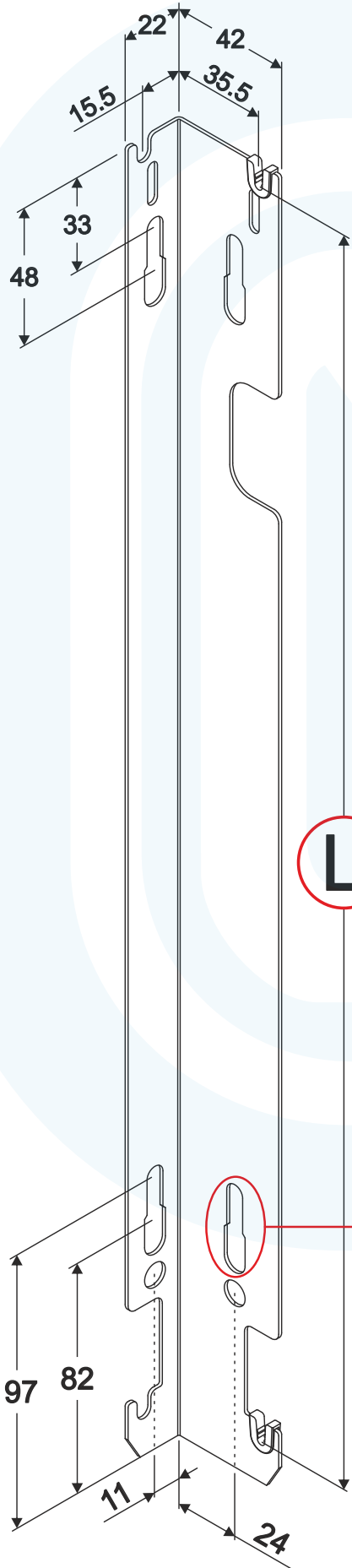


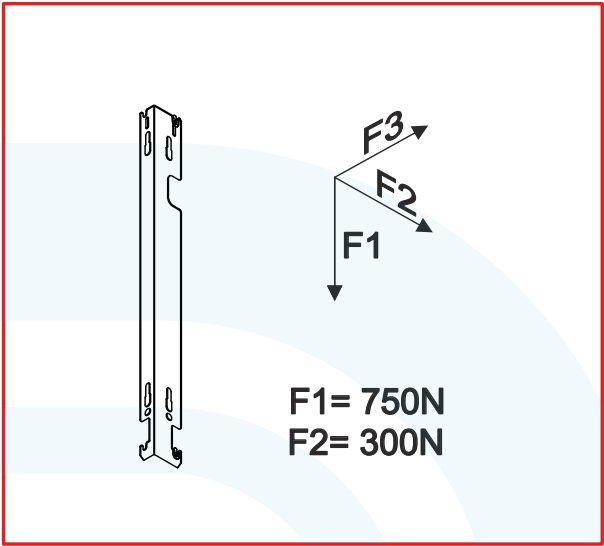
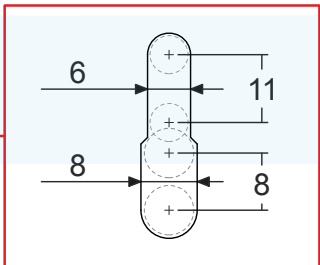
GB1



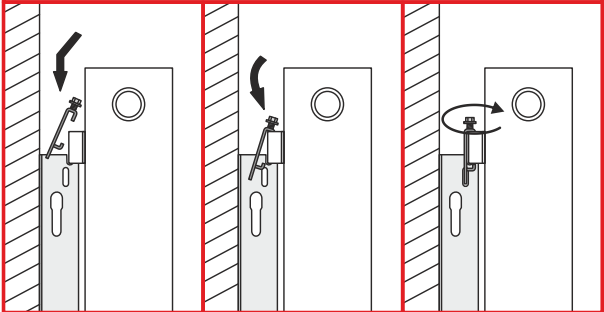
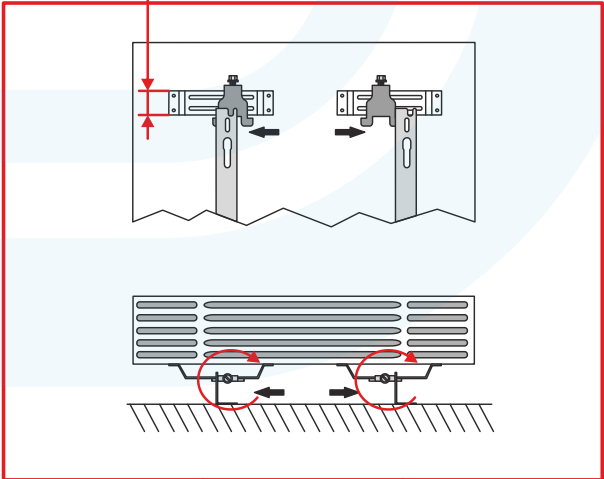
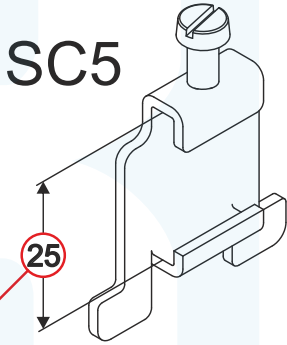
VA_MES 15 06 059



- H400 → L 205
- H500 → L 305
- H600 → L 405
- H700 → L 505
- H900 → L 705



PATENTED



The stated load capacity refers to a single fastener under ideal test conditions. The design and sizing of the fastening system, the load-bearing capacity of the installation substrate, and the radiator's compatibility are the responsibility of the engineer. The fastener manufacturer disclaims all liability for improper use or non-compliant installations.