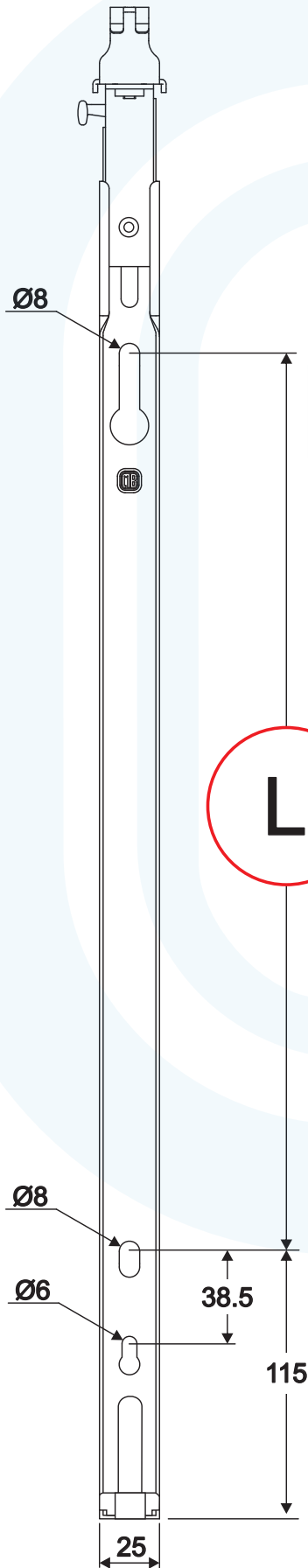


F7LG

PATENTED



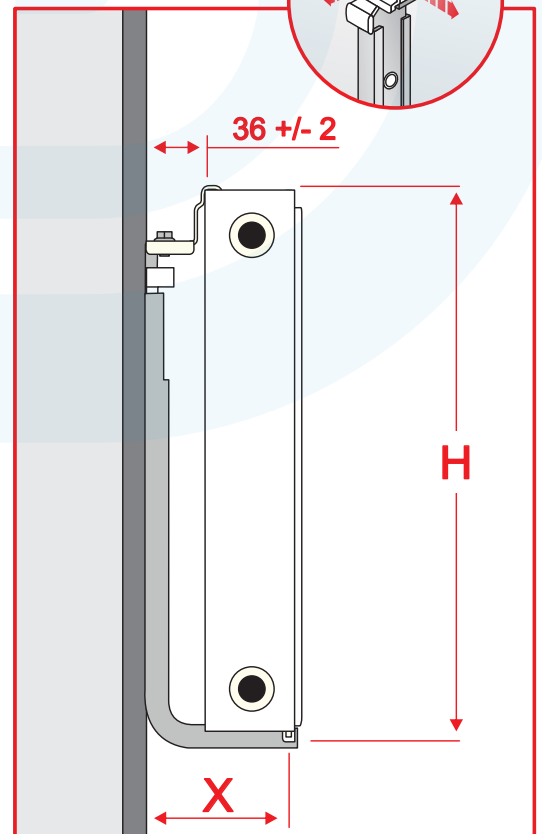
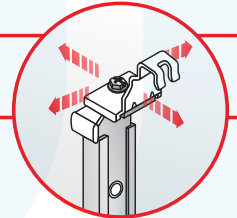
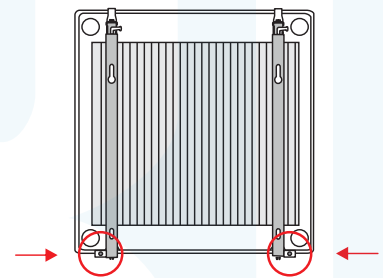
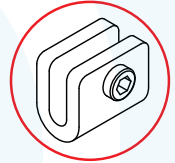
L

H300 → L 71
H400 → L 171
H500 → L 271
H600 → L 371
H700 → L 471
H900 → L 671



$F_1 = 1000N$
 $F_2 = 500N$
 $F_3 = 500N$

2 x SC6



The stated load capacity refers to a single fastener under ideal test conditions.

The design and sizing of the fastening system, the load-bearing capacity of the installation substrate, and the radiator's compatibility are the responsibility of the engineer. The fastener manufacturer disclaims all liability for improper use or non-compliant installations.