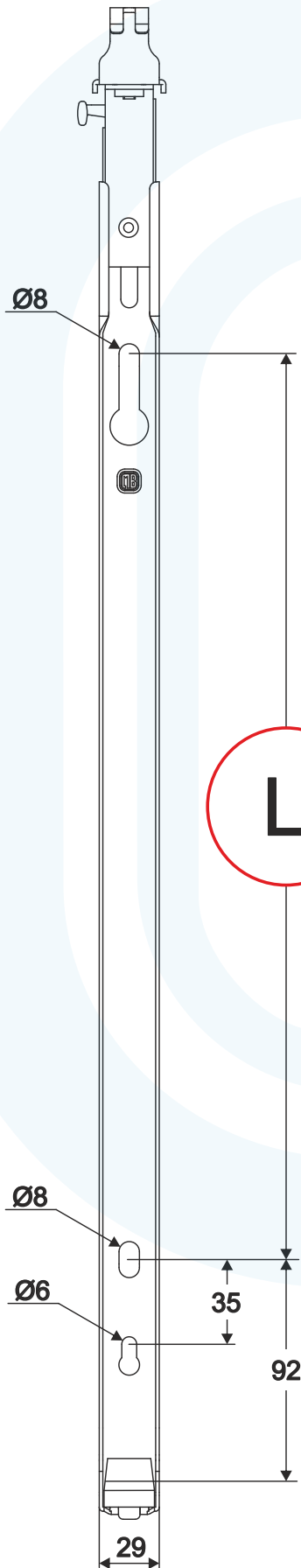


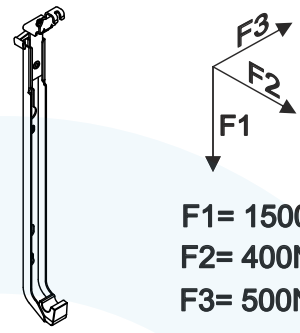
F7RB EASY

PATENTED



L

H300 → L 92
H400 → L 192
H500 → L 292
H600 → L 392
H700 → L 492
H900 → L 692

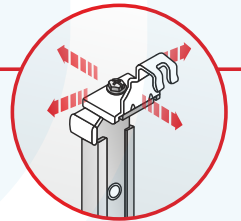
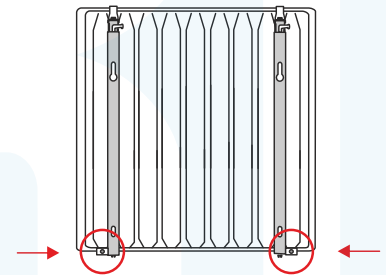
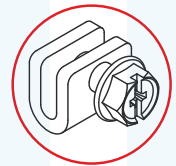


$F_1 = 1500N$
 $F_2 = 400N$
 $F_3 = 500N$



N° VA_MES 15 06 059

2 x SC6



36 +/- 2

H

R 5.5

The stated load capacity refers to a single fastener under ideal test conditions.

The design and sizing of the fastening system, the load-bearing capacity of the installation substrate, and the radiator's compatibility are the responsibility of the engineer. The fastener manufacturer disclaims all liability for improper use or non-compliant installations.