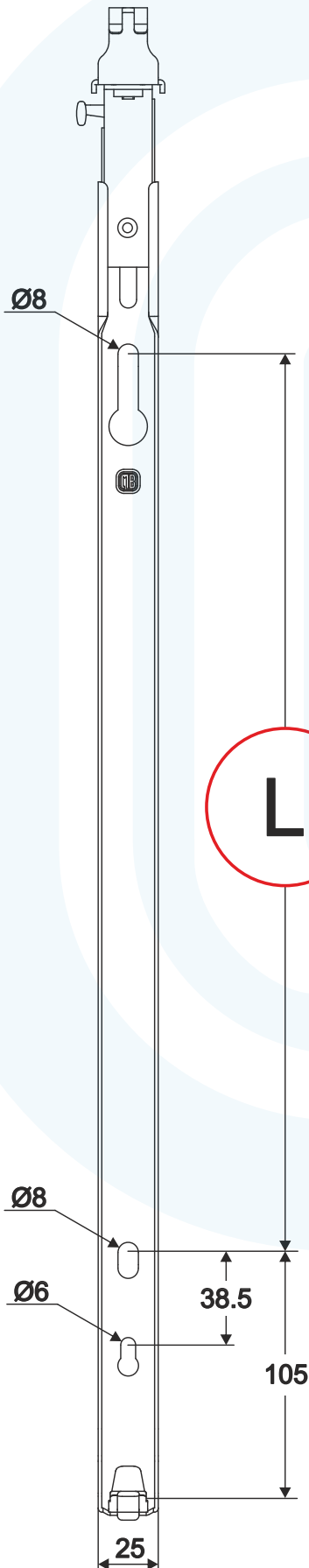
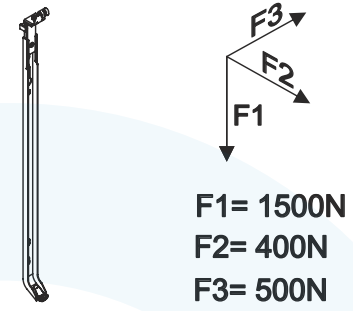


# F7V Easy

PATENTED

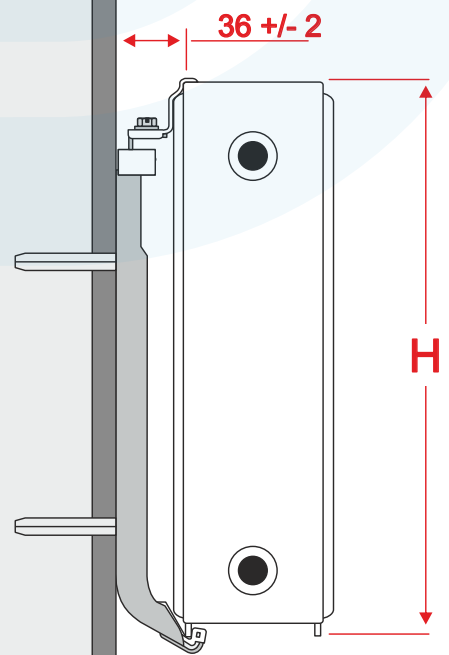
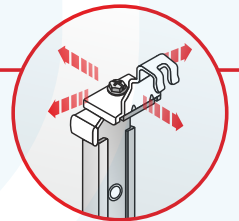
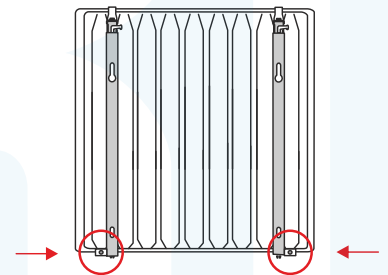
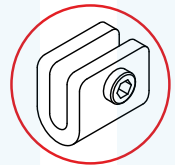


- H300 → L 74
- H400 → L 174
- H500 → L 274
- H600 → L 374
- H700 → L 474
- H900 → L 674



N° VA\_MES 15 06 059

2 x SC6



The stated load capacity refers to a single fastener under ideal test conditions.

The design and sizing of the fastening system, the load-bearing capacity of the installation substrate, and the radiator's compatibility are the responsibility of the engineer. The fastener manufacturer disclaims all liability for improper use or non-compliant installations.