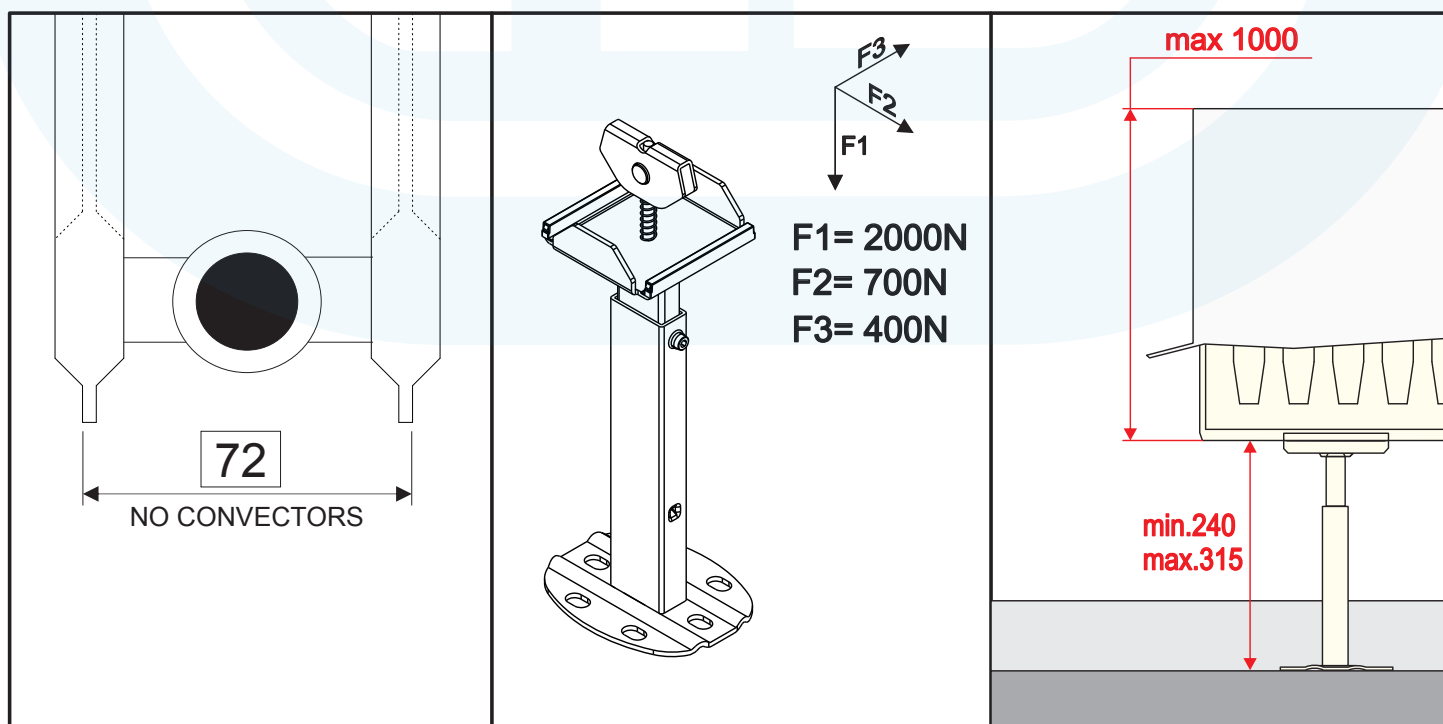
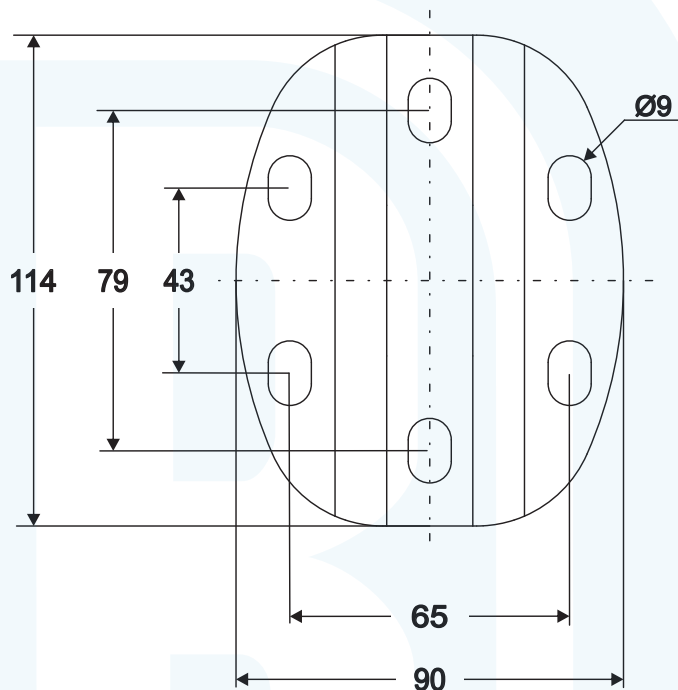
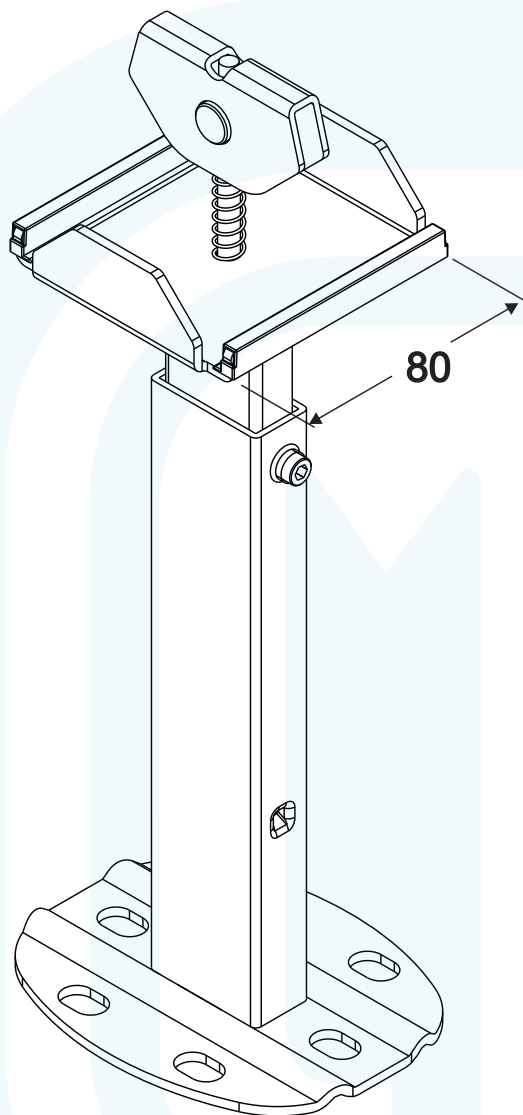


PX20-1 L=72



The stated load capacity refers to a single fastener under ideal test conditions. The design and sizing of the fastening system, the load-bearing capacity of the installation substrate, and the radiator's compatibility are the responsibility of the engineer. The fastener manufacturer disclaims all liability for improper use or non-compliant installations.