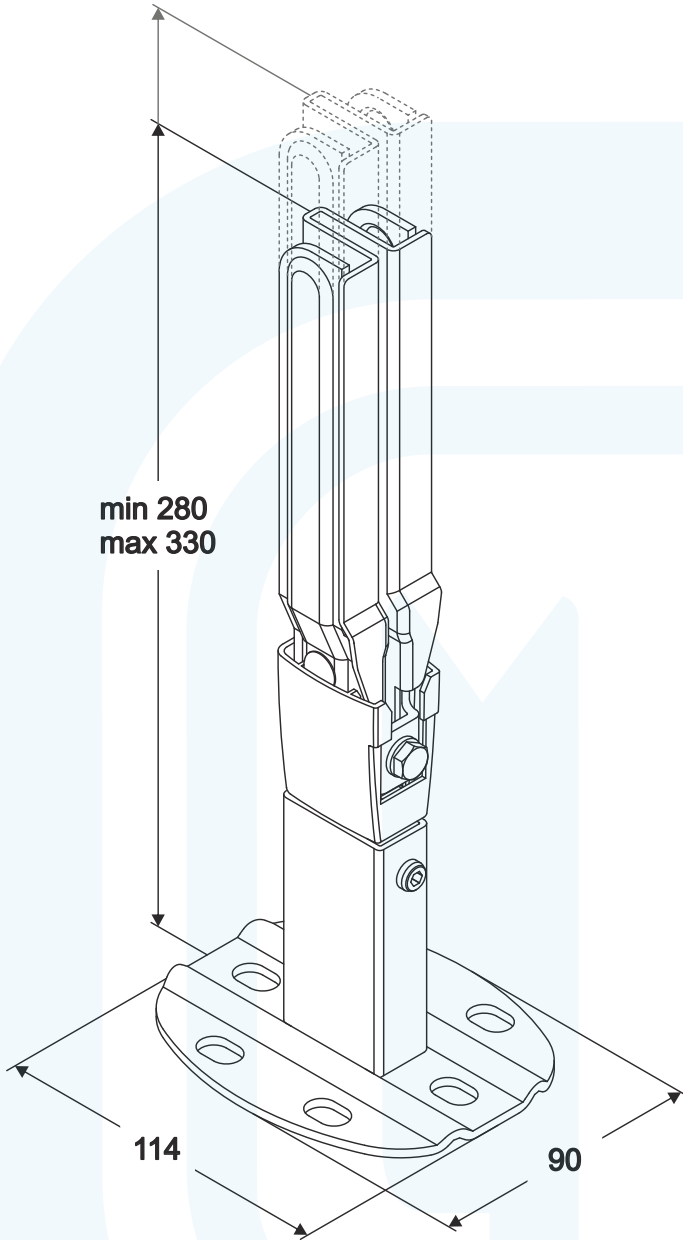


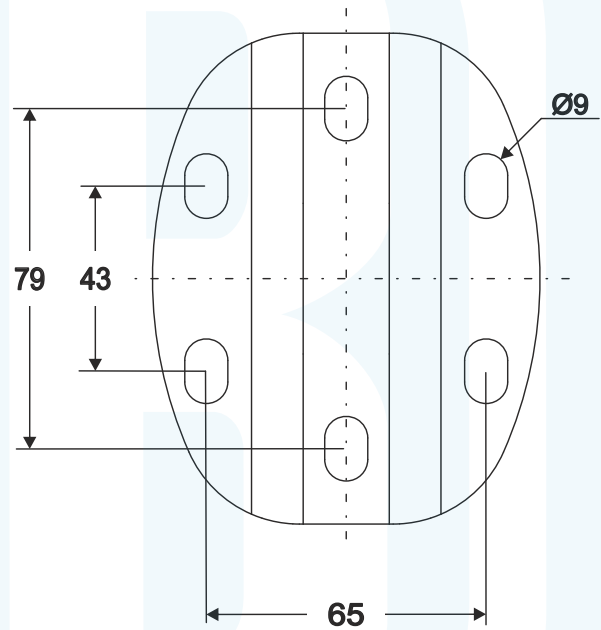
# PK23



N° B 15 01 68251 002 N° VA\_MES 15 06 059



PATENTED



<p>Type 11</p> <p>Type 21</p> <p>Type 22</p> <p>Type 33</p>	<p><math>F_1 = 2000N</math>  <math>F_2 = 700N</math>  <math>F_3 = 400N</math></p>	<p>125</p> <p>min. 150 max. 200</p>	<p>min. 150 max. 300</p>
---	---	---	------------------------------

The stated load capacity refers to a single fastener under ideal test conditions. The design and sizing of the fastening system, the load-bearing capacity of the installation substrate, and the radiator's compatibility are the responsibility of the engineer. The fastener manufacturer disclaims all liability for improper use or non-compliant installations.