



United Nations
Educational, Scientific and
Cultural Organization



World
Heritage
Convention



Fastening systems for multicolumn radiators

Villa "La Rotonda" is a Renaissance villa just outside Vicenza in northern Italy designed by Italian Renaissance architect Andrea Palladio. The villa's correct name is Villa Almerico Capra Valmarana.



FIX IT

BRACKETS READY FOR INSTALLATION

Two ready-to-install floor brackets for tubular radiators with manifold diameter from 45 mm to 60 mm, including base cover **QKP/QKF** and cover **QKG**, both in white ABS. **PGT 60**: configuration for finished floor.

PGT-1 60: configuration for raw floor.



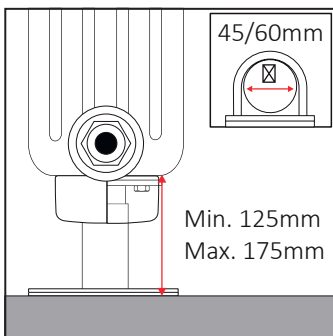
60791560	2x PGT 60 + 2x QKP	AK3	1	300
60791561	2x PGT-1 60 + 2x QKF	AK3	1	150

PGT-1 60
For raw floor

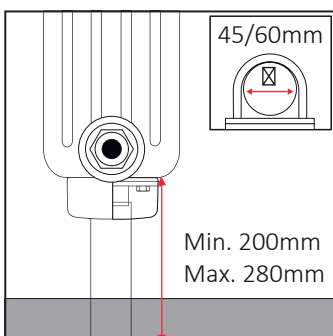


PGT 60 for finished floor

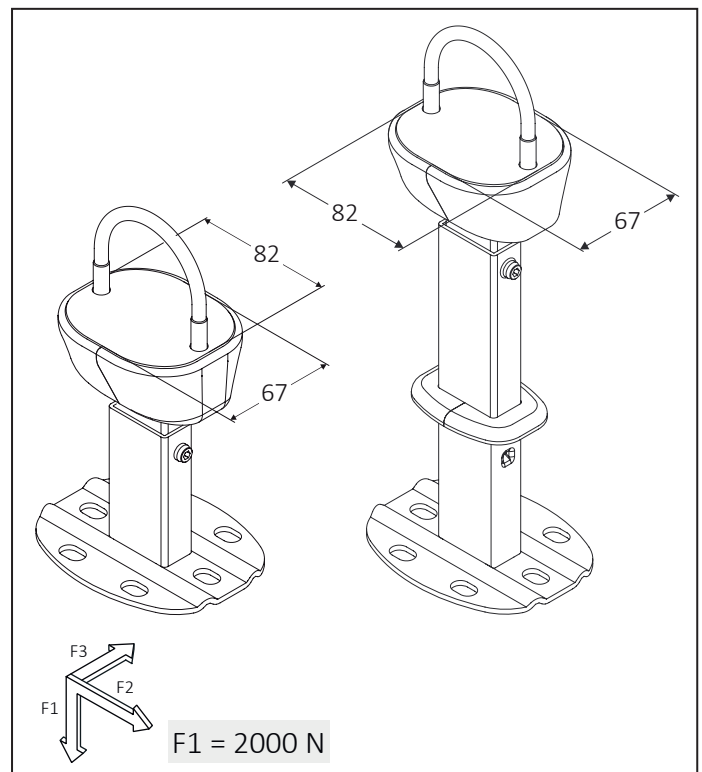
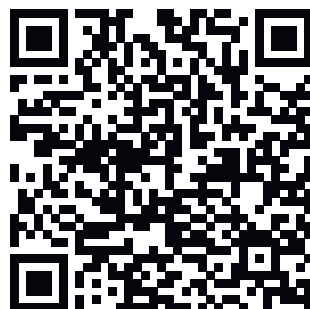
Measures are expressed in millimeters



PGT-1 60 for raw floor



Assembly instructions



COVERS AND EXTENSIONS

VL: 10 cm extension for all ready-to-install floor brackets. **QKR**: tube-cover in white ABS, for all ready-to-install floor brackets, configuration for raw or finished floor. **QKP** and **QKF**: base-cover in white ABS, supplied with all ready-to-install floor brackets.



60740004	1x VL (+10cm)	50	1050
60705024	2x QKR	25	2000
60705020	1x QKP	20	3000
60705022	1x QKf	20	4000



VL



QKR

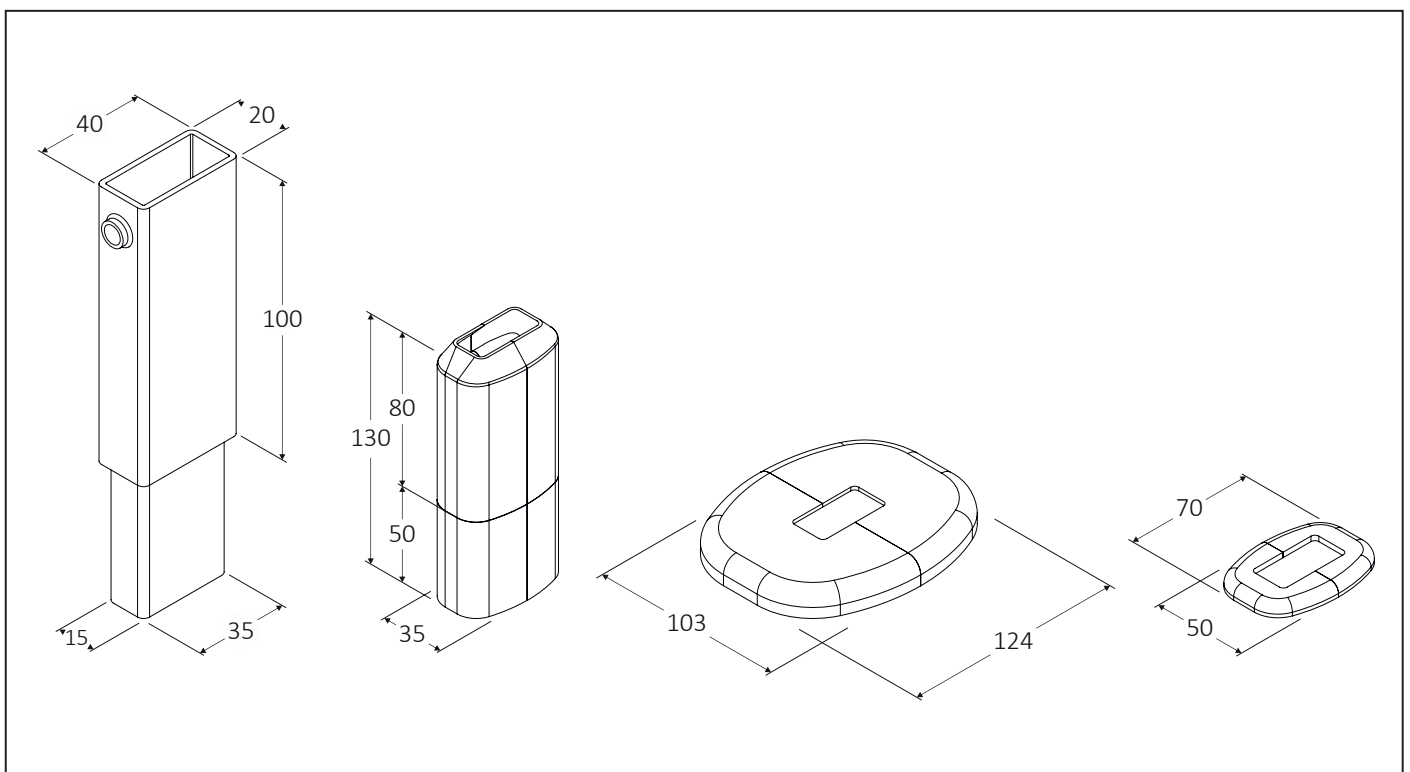


QKP



QKF

Measures are expressed in millimeters



BRACKETS READY FOR INSTALLATION

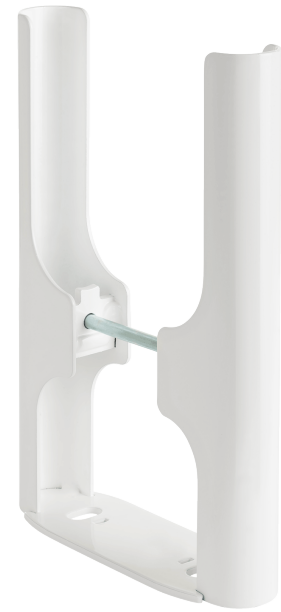
Two ready-to-install, self-supporting floor brackets for tubular radiators with 3 to 6 columns, including covers **QKE** in white ABS.

BEMM, IRSAP, RONDRA, ZEHNDER

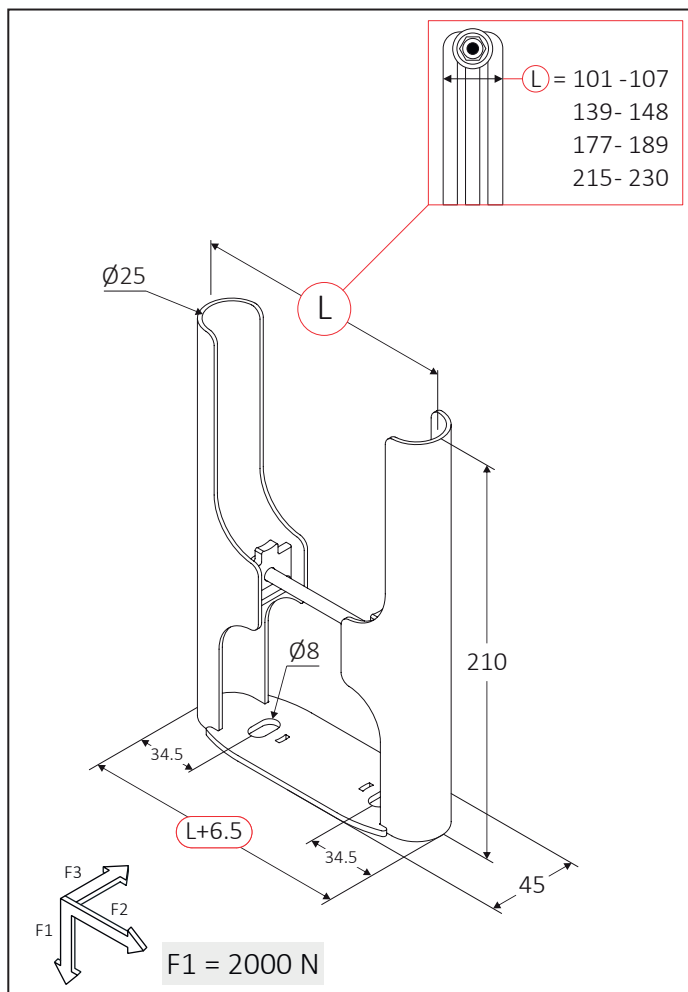


PGE
PATENTED

60770101	2x PGE 101		AK3		1	250
60770139	2x PGE 139		AK3		1	150
60770177	2x PGE 177		AK3		1	150
60770215	2x PGE 215		AK3		1	110
ARBONIA, CORDIVARI, DL RADIATORS, ERCOS, ZENITH						
60770107	2x PGE 107		AK3		1	250
60770148	2x PGE 148		AK3		1	150
60770189	2x PGE 189		AK3		1	150
60770230	2x PGE 230		AK3		1	110



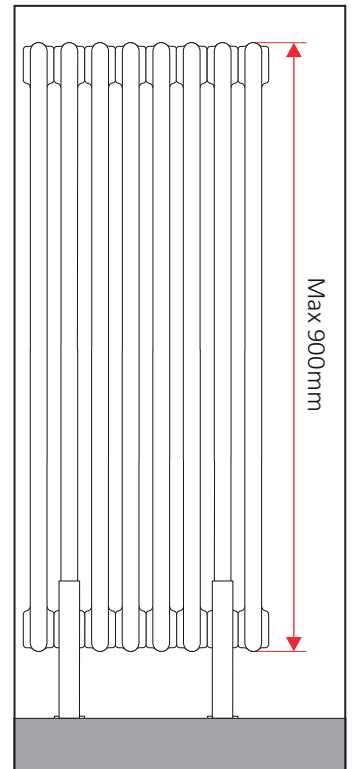
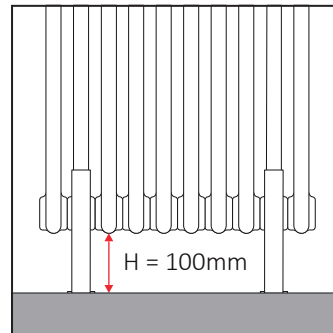
Measures are expressed in millimeters



QKE

Height PGE

Maximum height








Assembly instructions



BRACKETS READY FOR INSTALLATION

Two ready-to-install and adjustable floor brackets for approaching tubular radiators with 2 columns, 3 or 4 columns and 5 or 6 columns, set including inserts and key, white version.

60771001	2x PGE-M				1	300
60771002	2x PGE-M				1	150
60771003	2x PGE-M				1	150
60400600T	2x BG3					



PGE-M
From 3 to 6 columns

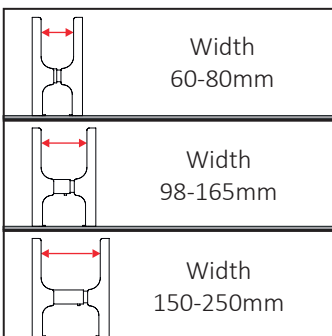


PGE-M
For 2 columns

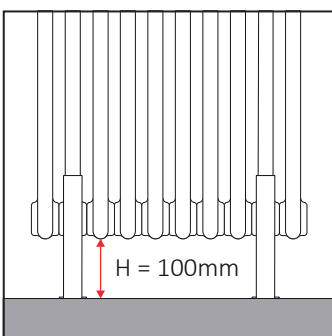


BG3

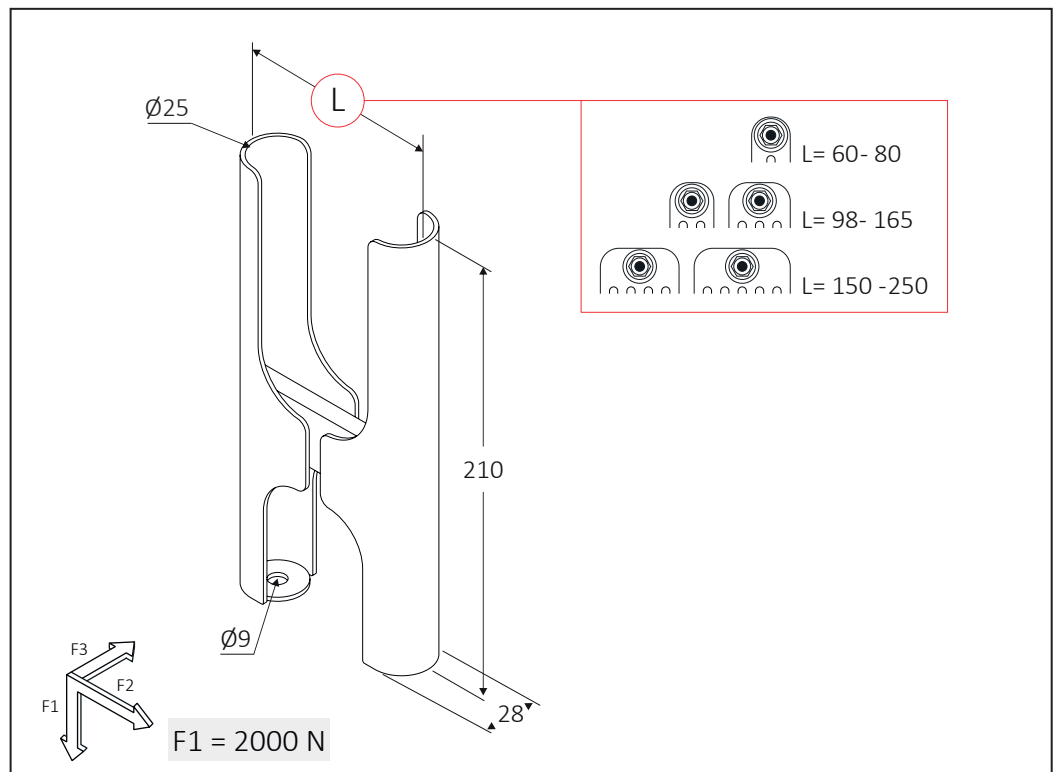
Widths PGE-M



Height PGE-M



Measures are expressed in millimeters



BRACKETS READY FOR INSTALLATION

Floor support bracket for tubular radiators, white version, including cover **QKF** in white ABS.



60400816D

1x STD + 1x QKF

60

960

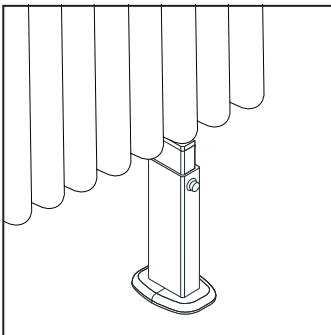


STD
Fistone

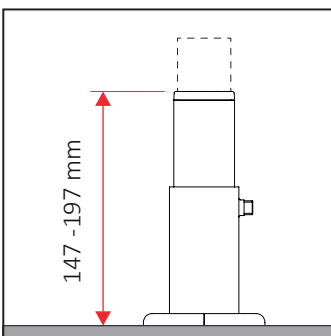


QKF

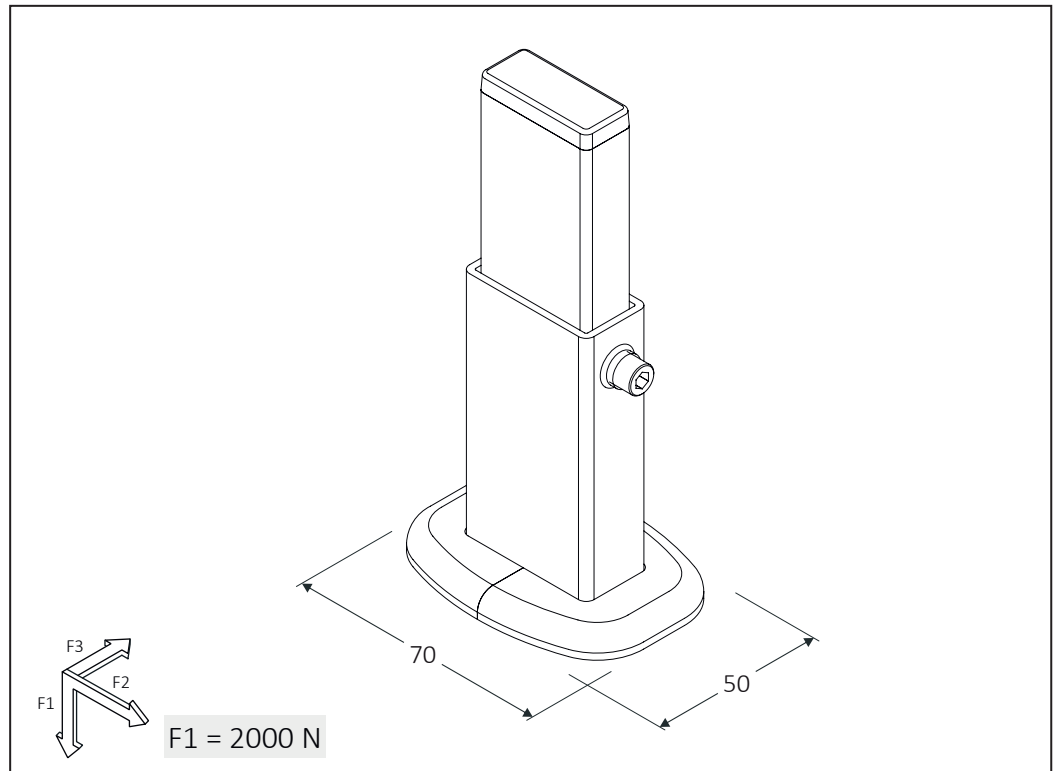
Support Fistone



Regulation Fistone



Measures are expressed in millimeters



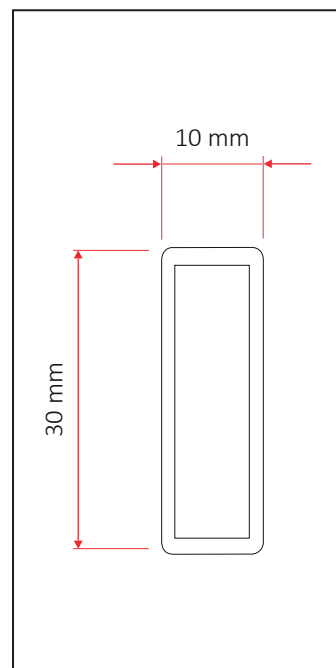
MODULAR BRACKETS

Rectangular section tube for floor bracket composition, for radiators with height from 300 to 1000 mm.

QT



60705046	QT 460 mm	25	1500
60705056	QT 560 mm	25	1500
60705066	QT 660 mm	25	1000
60705076	QT 760 mm	25	1000
60705086	QT 860 mm	25	1000
60705096	QT 960 mm	25	1000
60705106	QT 1060 mm	25	1000
60705116	QT 1160 mm	25	1000

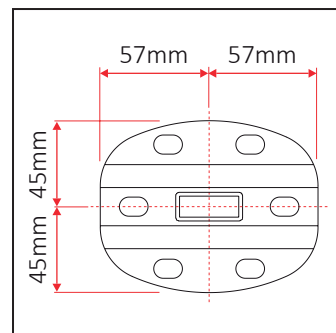


Base with central tube, for floor bracket composition, with rectangular tube model **QT**.

QB



60705000	QB	50	2500
60705012	QK	20	3000



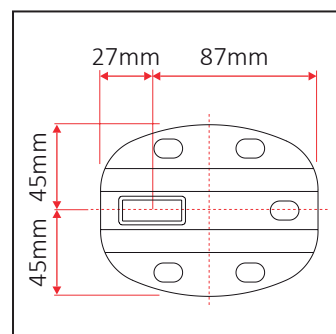
QK

Base with decentralized tube, for floor bracket composition, with rectangular tube model **QT**.

QBK



60705005	QBK	50	2500
60705013	QKX	20	4000



QKX

MODULAR BRACKETS

Kit of 4 elements for floor bracket composition, with rectangular section tube model **QT**, composed of: lower hook with plastic insulator **QG1**, retainer for radiator **QG2**, insulator **Q10** for rectangular tube and upper cap **Q9**.

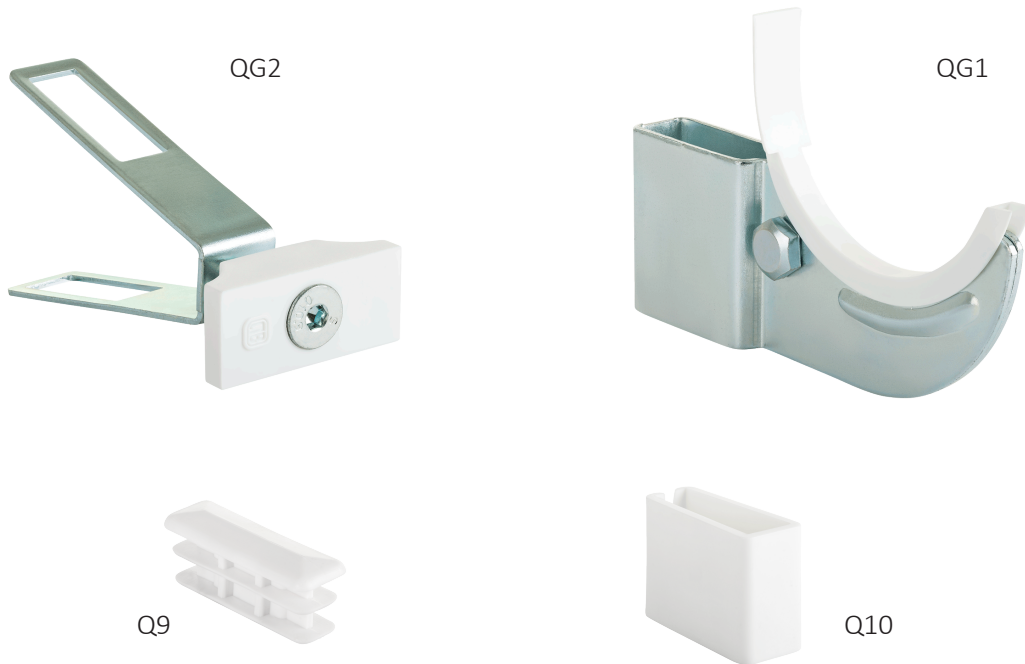


60705400

QGN: 1x QG1 + 1x QG2 + 1x Q10 + 1x Q9

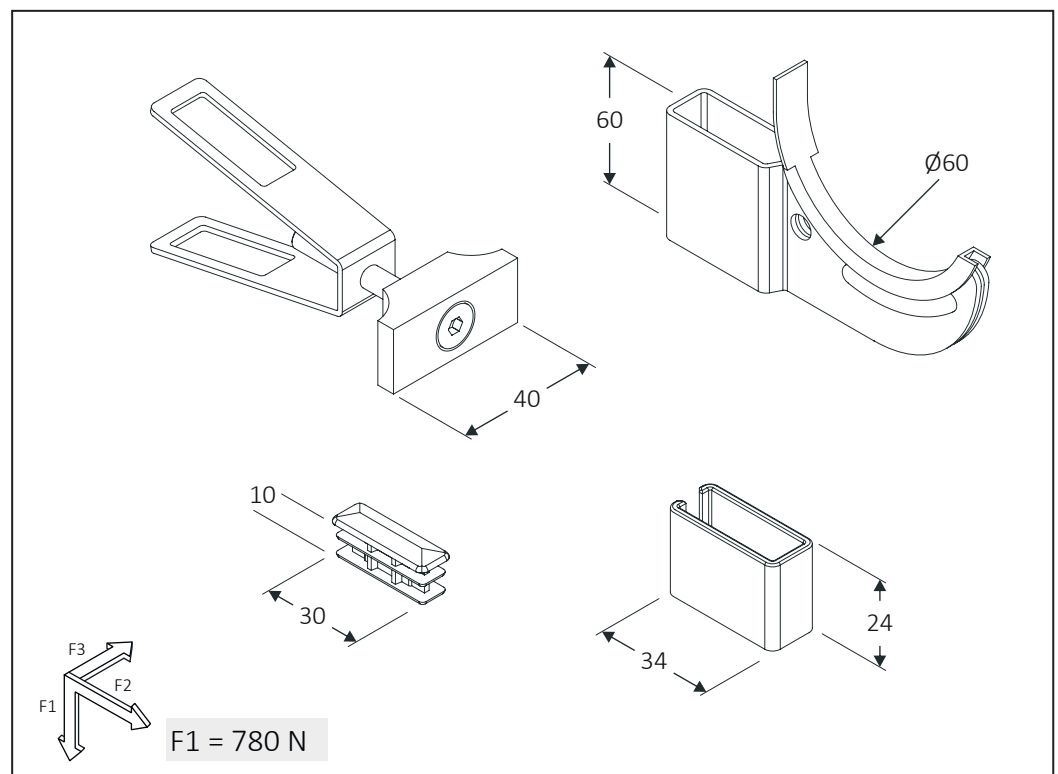
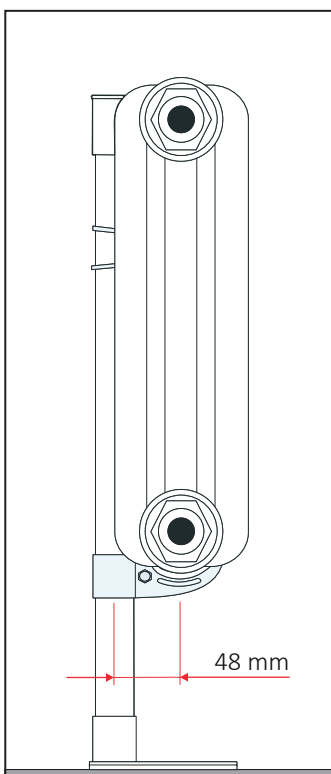
50

2750



Distance QGN

Measures are expressed in millimeters



CAST IRON BRACKETS

PGG: Cast iron foot to support multicolumn radiators, white color, single packaging in bubble wrap. **BG3:** Two wall brackets with two transparent clamps for fixing the radiator tubes. Adjustment for distance from wall (26-48 mm).

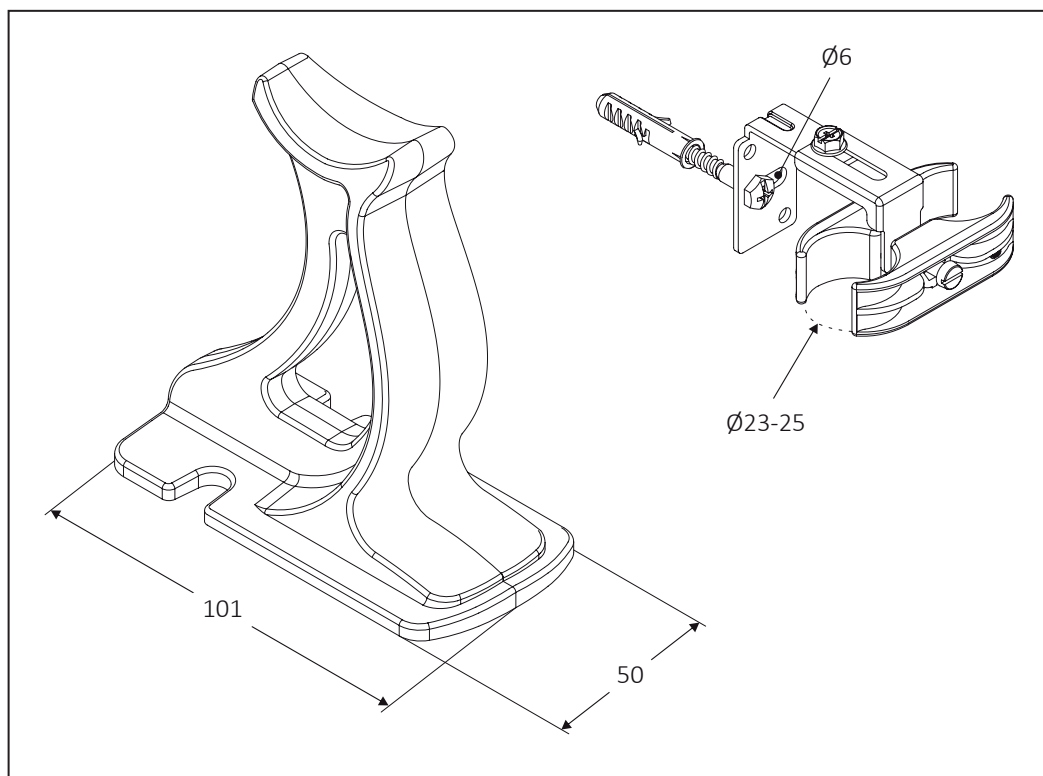
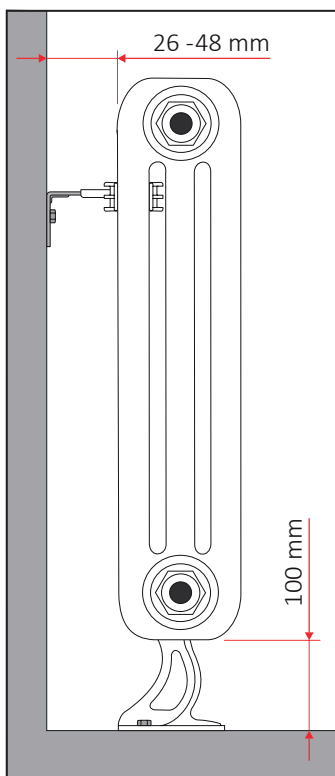


60770010	1x PGG	50	1000
60400600T	2x BG3	50	2500



Distance BG3 and PGG



Measures are expressed in millimeters



WALL RAIL BRACKETS

Wall bracket for quick mounting, with two transparent clamps for fixing the radiator, suitable for the installation of radiators with height up to 1.000 mm. **GTXP**: Wall bracket with transparent clamp, suitable for the use with bracket **GTX**, for radiators with height over 1.000 mm.

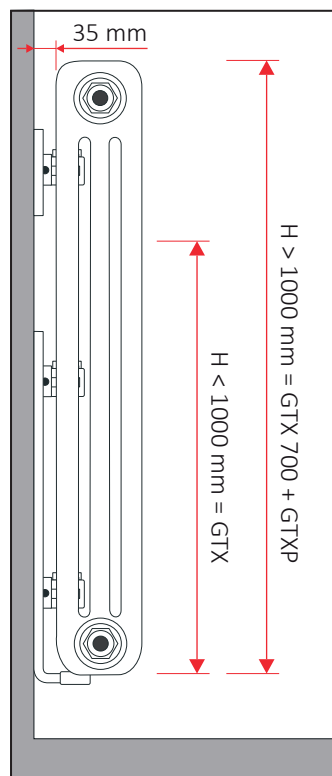
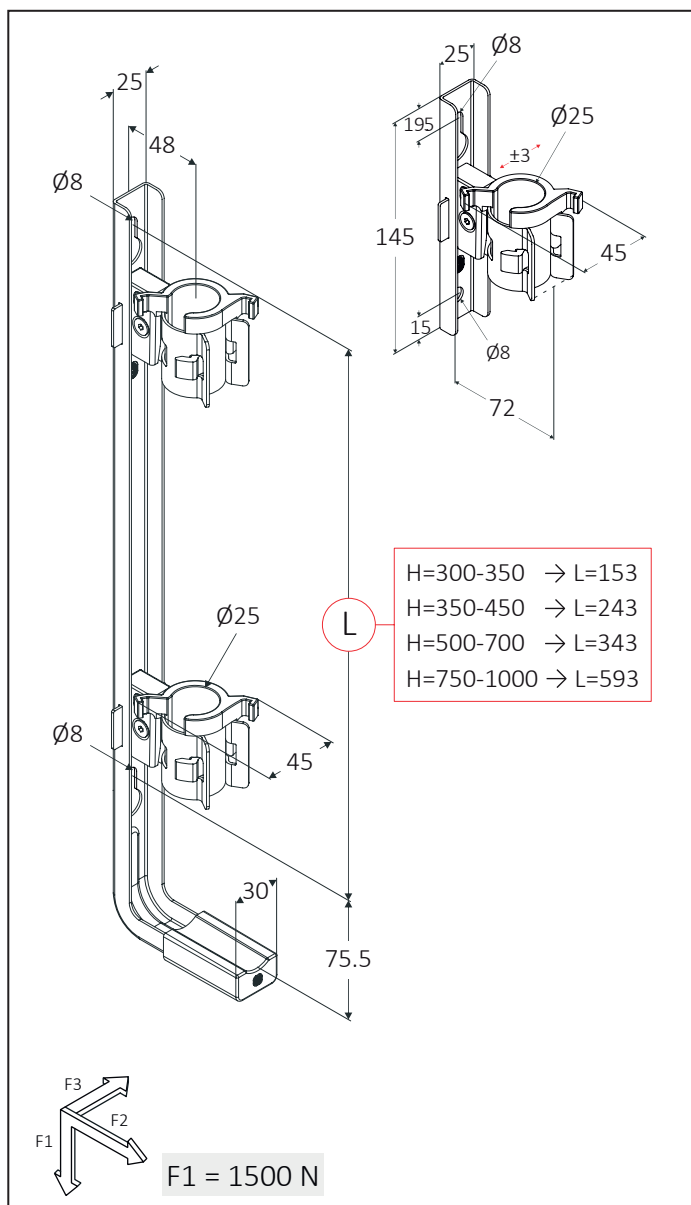


60640026	1x GTX 260	 AK3	20	800
60640035	1x GTX 350	 AK3	20	640
60640045	1x GTX 450	 AK3	20	560
60640070	1x GTX 700	 AK3	20	280
60640100	1x GTXP	 AK3	20	1100



Measures are expressed in millimeters

Height GTX and GTXP



 [Assembly instructions](#)



WALL BRACKETS

Two wall brackets with anti-lift cover **QKS** and transparent spacer **N6**.



60201002

2x GBT + 2x QKS + 2x N6



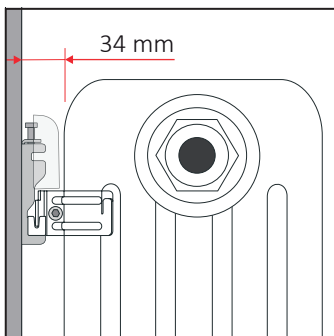
AK3

20

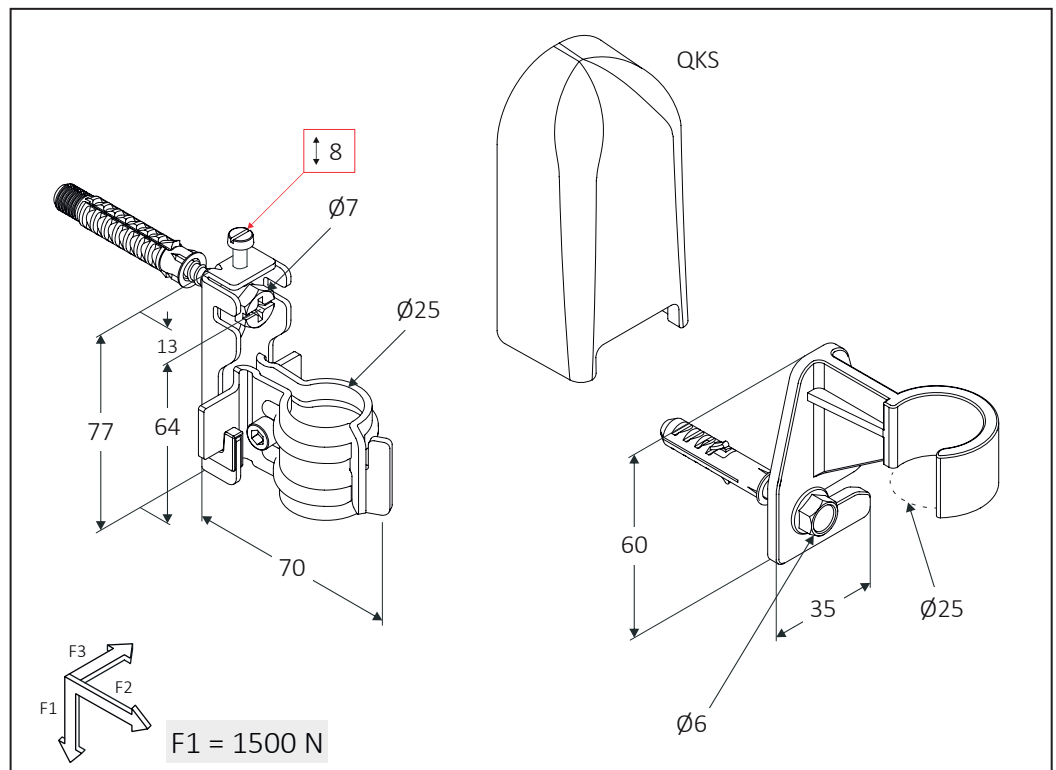
800



Distance GBT



Measures are expressed in millimeters



Assembly instructions



WALL BRACKETS

Two brackets for quick wall mounting with clamps **OT** and spacers **N5**, all in white color. Options for distance from wall (30-40 mm). Plastic insulators included.



60400740	2x D2 + 2x OT + 2x N5	50	1200
60550008	SC7	100	2000



D2
White



N5



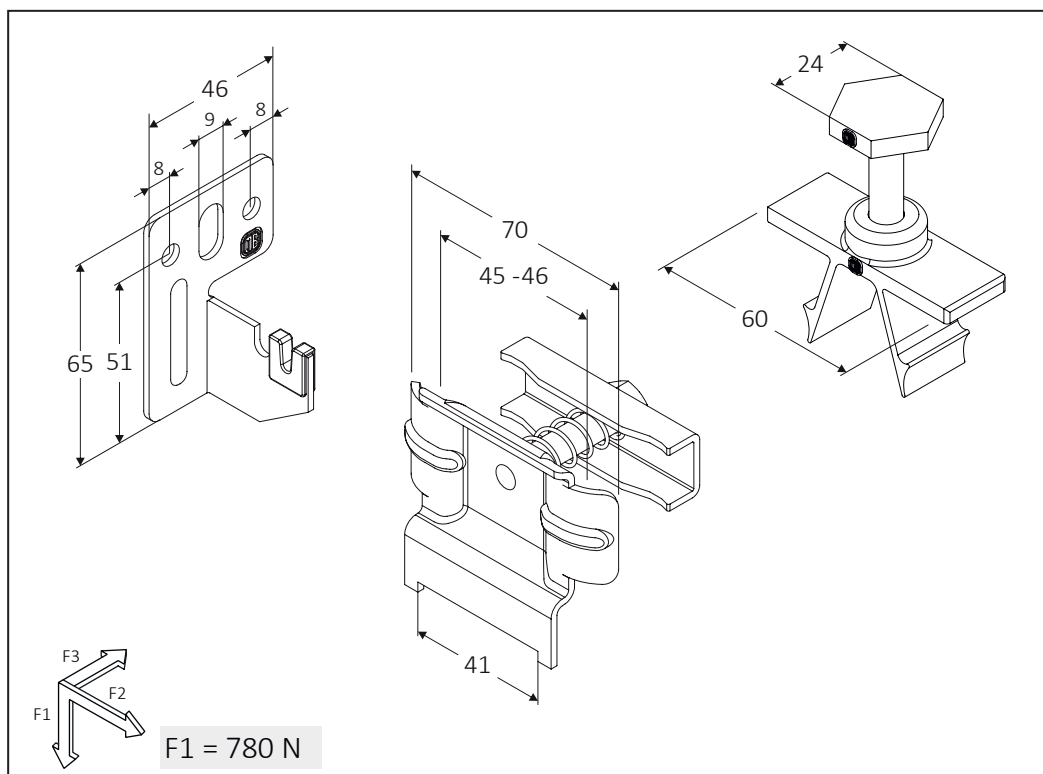
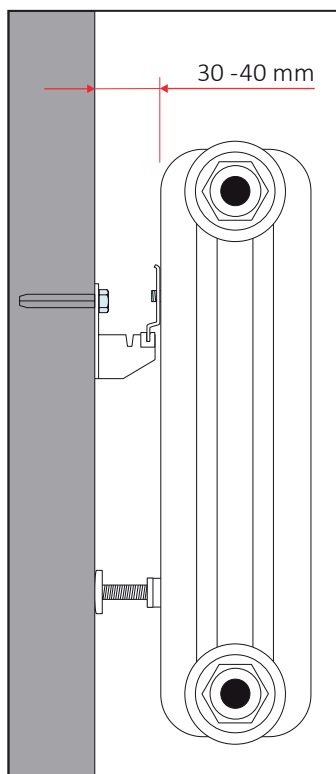
OT



SC7
Safety device

Distance D2 OT N5

Measures are expressed in millimeters



WALL BRACKETS

Two brackets for quick wall mounting of tubular radiators in horizontal version, possibility of vertical adjustment and distance from wall, white version. **N5+NP**: spacers in white and transparent plastic. **SC3H**: anti-lift security. Galvanized version on request.



60400542

2x D3 + 2x OTH + 2x SC3H + 2x N5 + 2x NP

50

1600



D3
White



N5
White



NP
Transparent



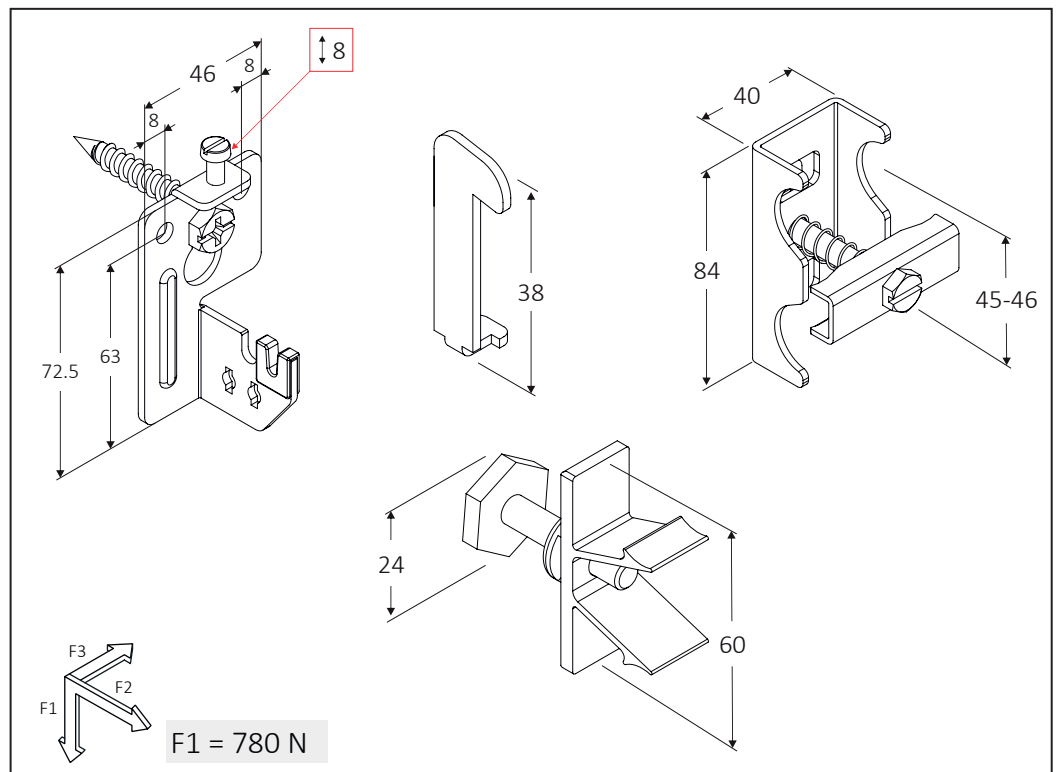
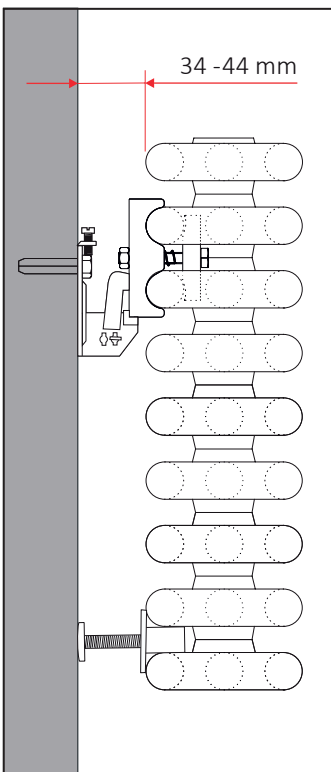
SC3H



OTH

Distance D3 OTH

Measures are expressed in millimeters



WALL BRACKETS

Two wall brackets with percussion $\varnothing 12\text{mm}$, for quick wall mounting of tubular radiators, manifold diameter from 45mm to 60mm, white version.



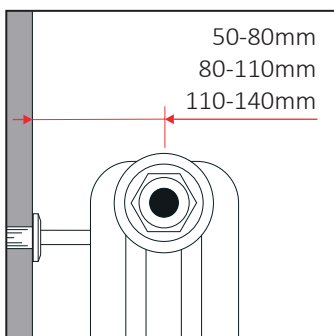
60211650	2x R12V L = 50- 80	50	2500
602116551	2x R12V L = 80 110	50	2000
60211652	2x R12V L = 110- 140	50	1500



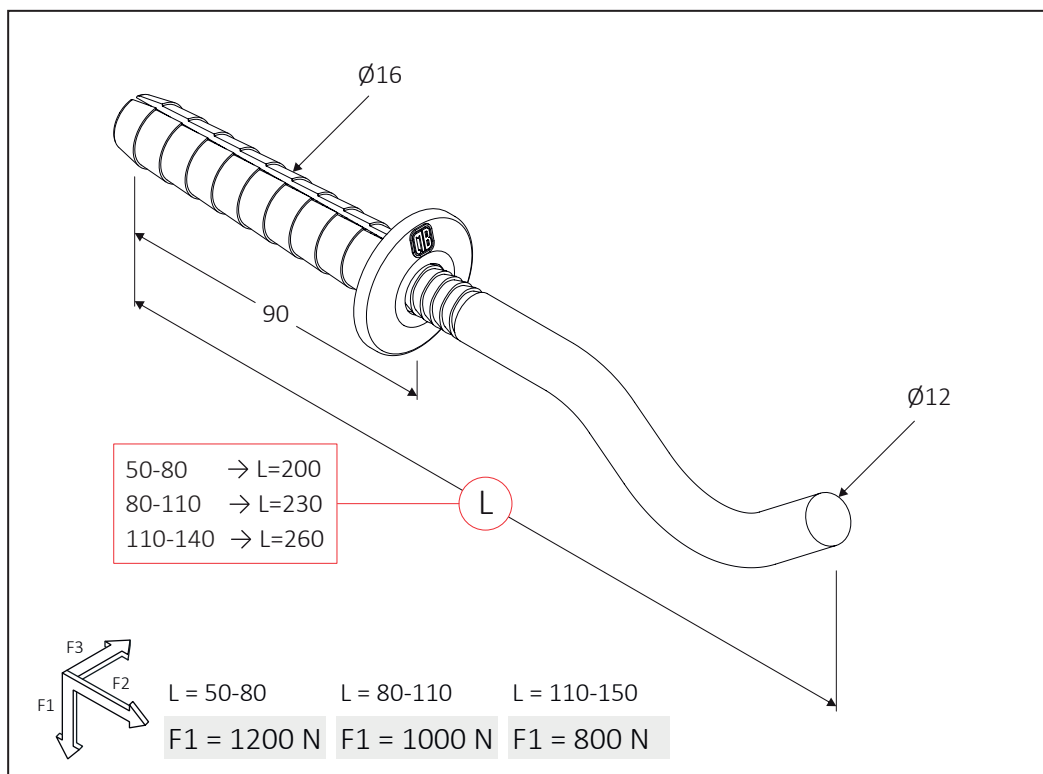
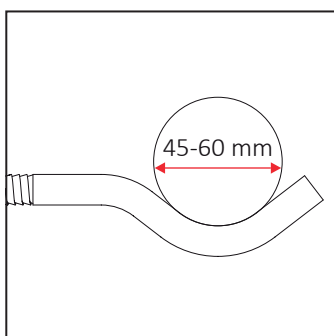
R12V

Distance R12V

Measures are expressed in millimeters



Manifold dimensions



WALL BRACKETS

Two wall brackets for quick wall mounting of tubular radiators, length 70mm or 105mm.



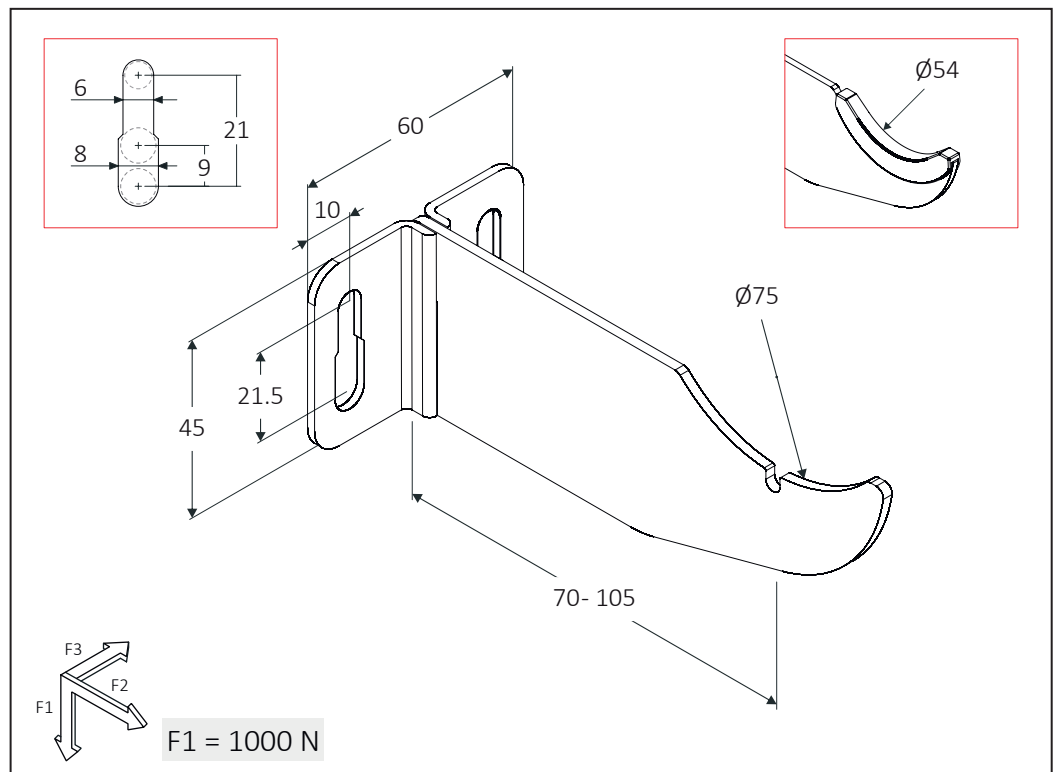
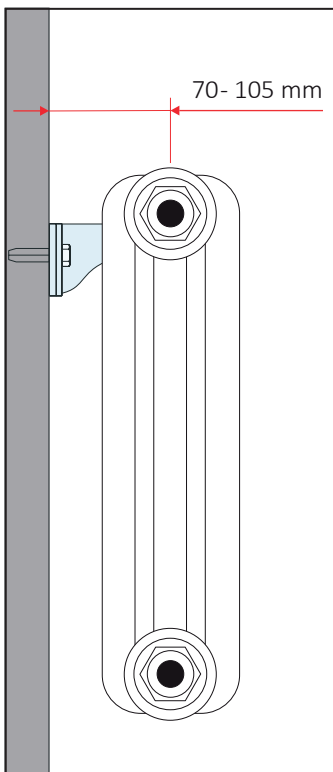
60210173	2x T1G L = 70	50	3300
60210174	2x T1G L = 105	50	3300



T1G

Distance T1G

Measures are expressed in millimeters



WALL BRACKETS

Ready-to-install wall bracket for cast iron radiators, tubular radiators can also be installed by using the insulator provided.

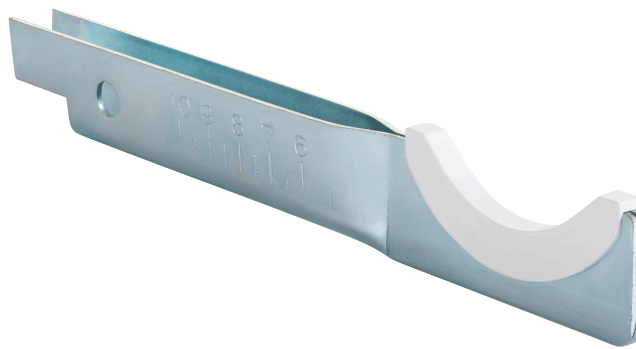


60005191

2x M2

50

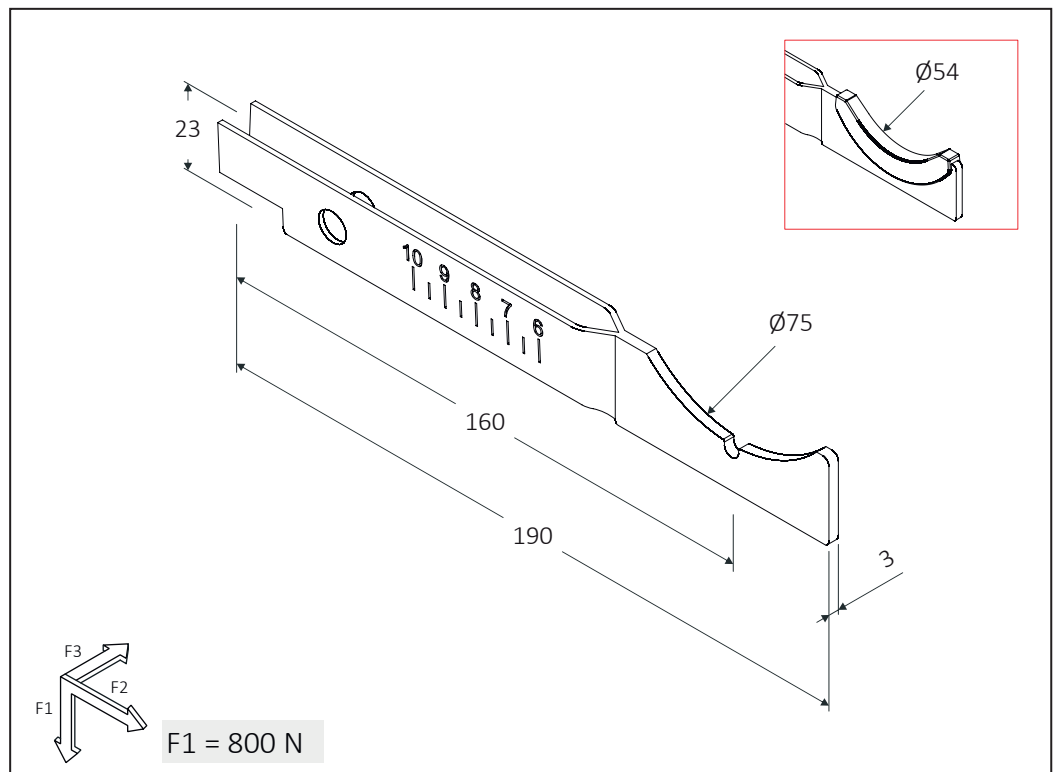
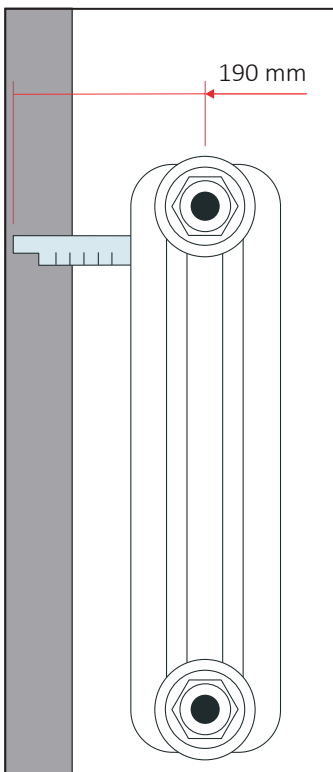
1600



M2

















Distance M2

Measures are expressed in millimeters



BRACKETS READY FOR INSTALLATION

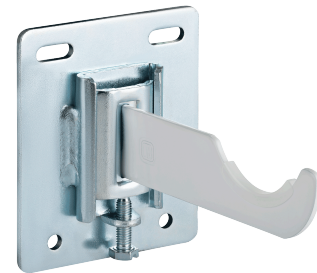
Two brackets for quick wall or plasterboard mounting, with cover **QKM7** in white color. Hook in white color or galvanized. Height regulation. Plastic insulators included.

60210220	2x M7C L = 53 + QKM7			18	576
60210222	2x M7C L = 74 + QKM7			18	576
60210224	2x M7C L = 94 + QKM7			18	576
60210226	2x M7C L = 115 + QKM7			18	576
60210221	2x M7C L = 53 + QKM7			18	576
60210223	2x M7C L = 74 + QKM7			18	576
60210225	2x M7C L = 94 + QKM7			18	576
60210227	2x M7C L = 115 + QKM7			18	576

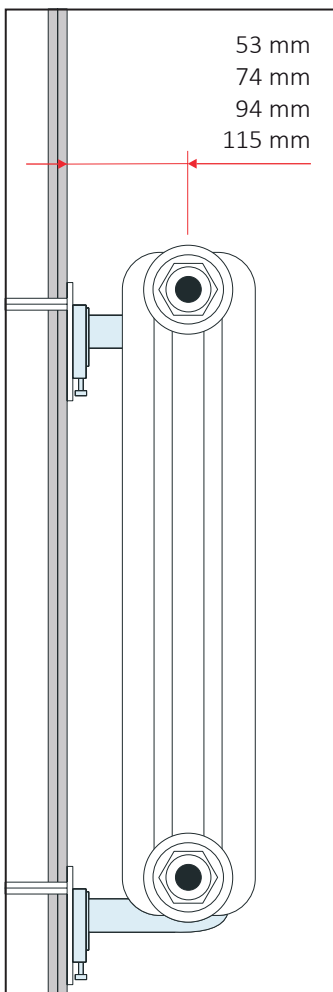
QKM7



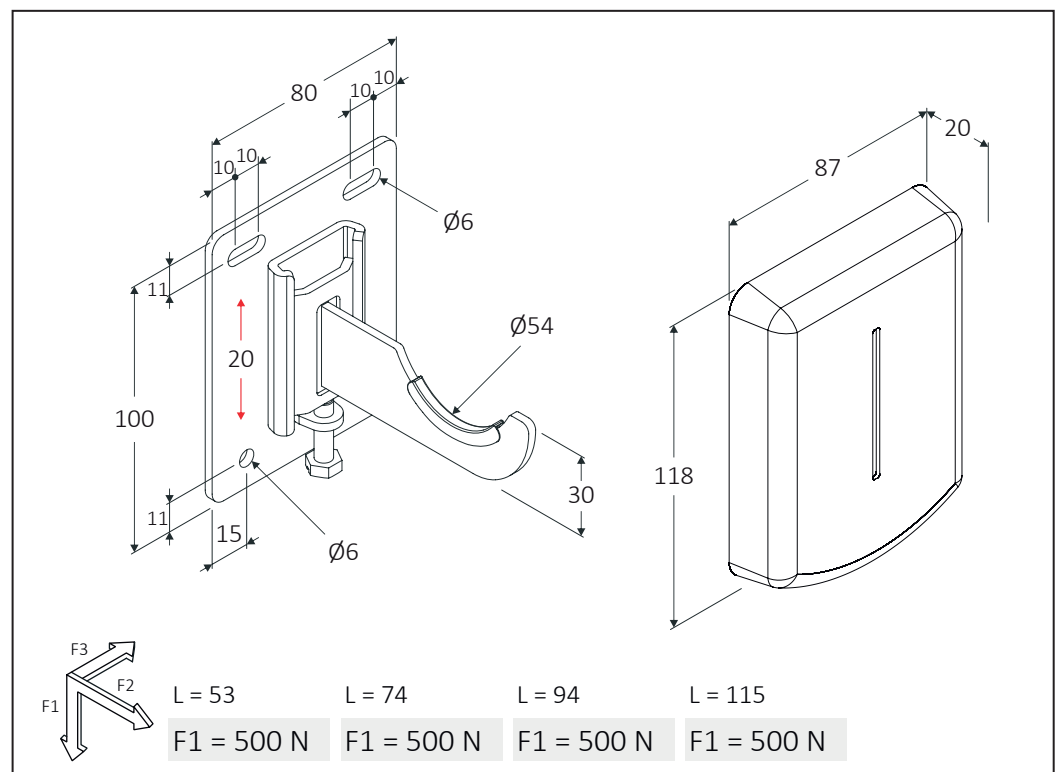
M7C



Distance M7C



Measures are expressed in millimeters



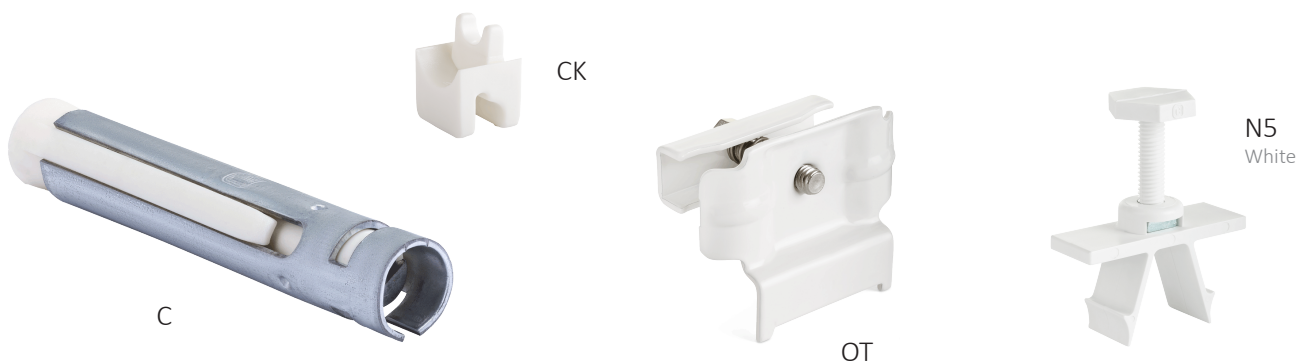
EXPANSION BRACKETS

Kit of two expansion brackets for tubular radiators and supports **CK**. Adjustment for distance from wall (12-45 mm).

OT: Clamp for fixing tubular radiators. **N5**: White spacer for adjusting distance from wall.

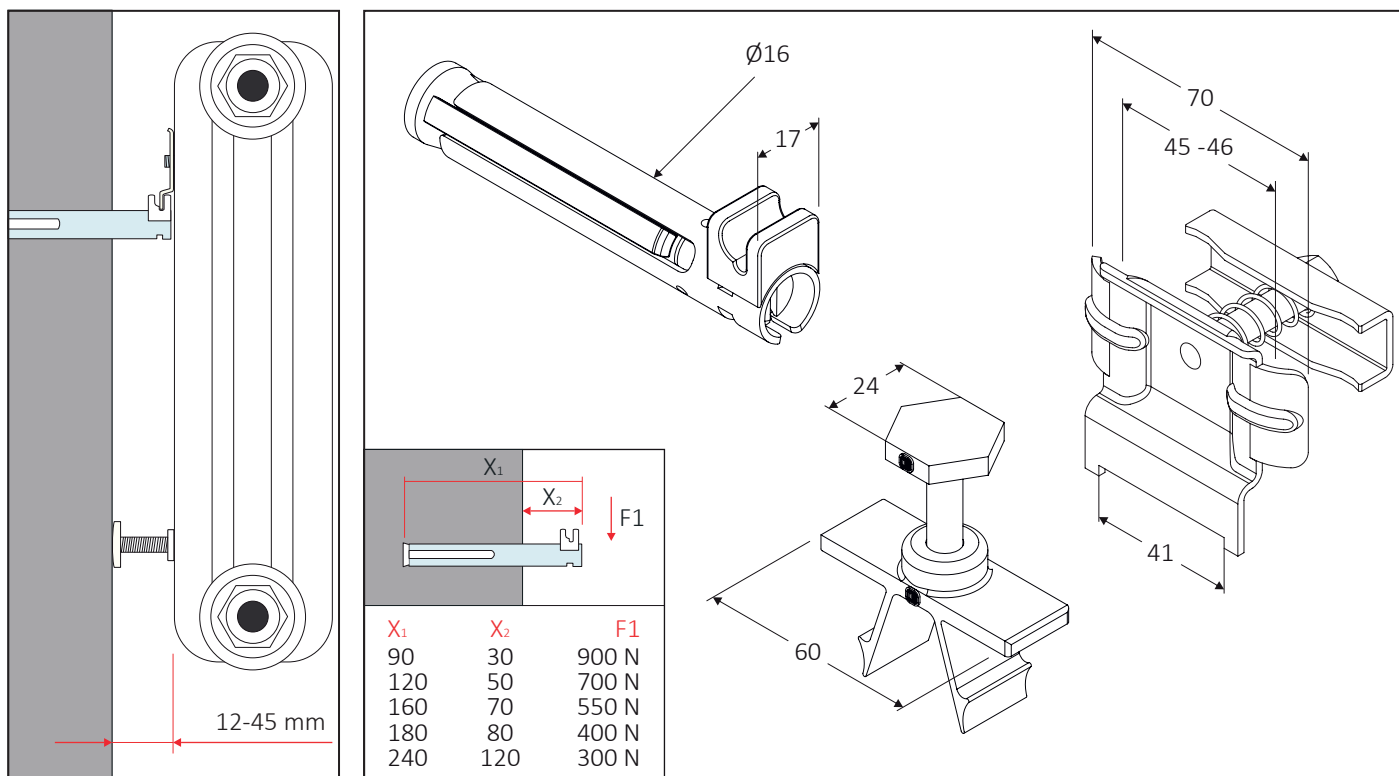


60511090	2x C 90 + 2x CK	50	5500
60511120	2x C 120 + 2x CK	50	2750
60511160	2x C 160 + 2x CK	50	2500
60511180	2x C 180 + 2x CK	50	2500
60511240	2x C 240 + 2x CK	50	2000
60500742	OT	100	5500
60020251T	N5	100	5500



Distance C CK

Measures are expressed in millimeters



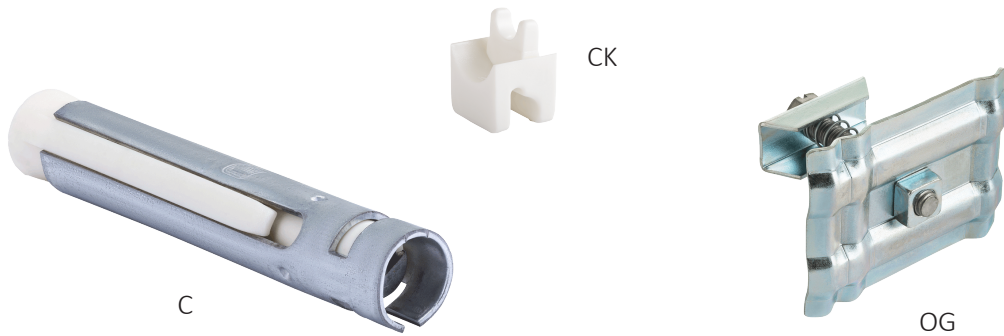
EXPANSION BRACKETS

Kit of two expansion brackets for cast iron radiators and supports **CK**. Adjustment for distance from wall (12-45 mm).

OG: Clamp for fixing cast iron radiators.

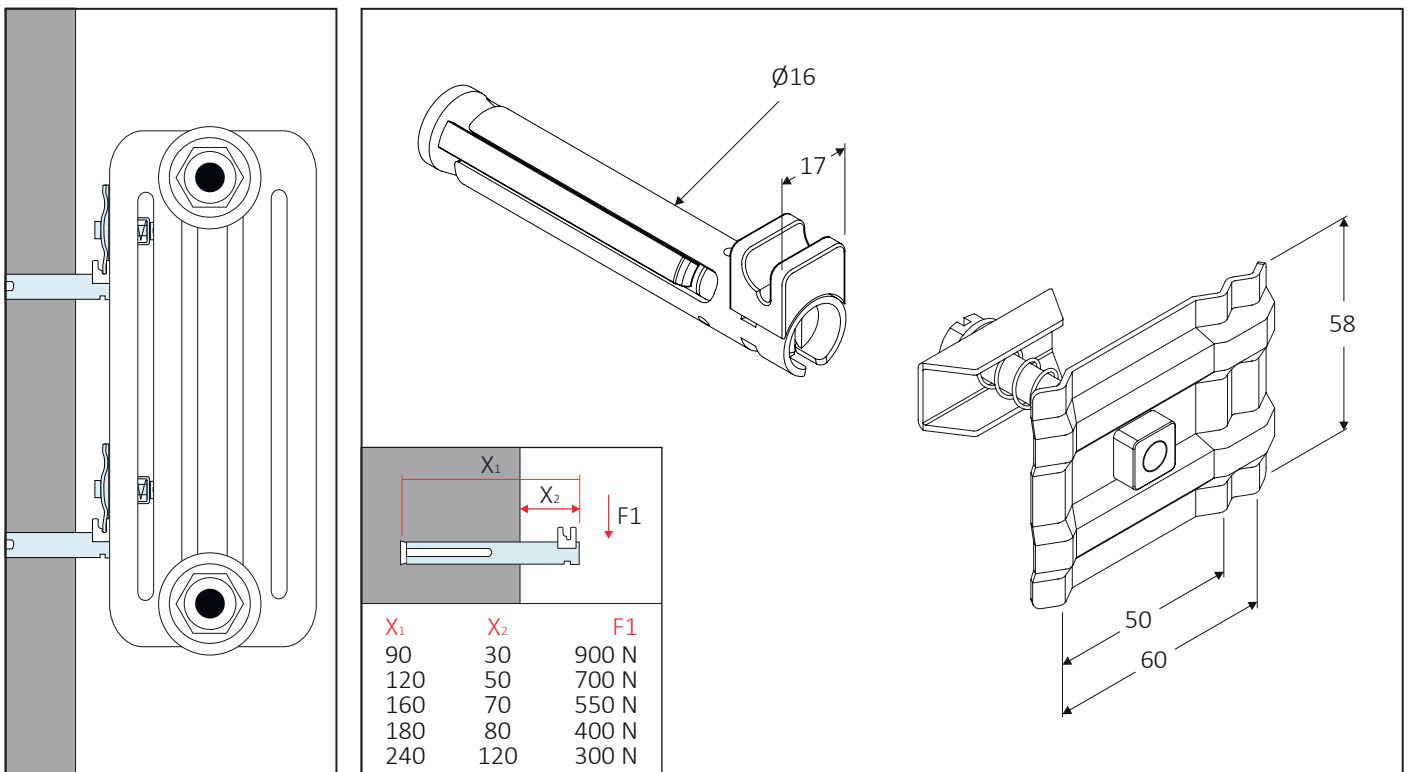


60511090	2x C 90 + 2x CK	50	5500
60511120	2x C 120 + 2x CK	50	2750
60511160	2x C 160 + 2x CK	50	2500
60511180	2x C 180 + 2x CK	50	2500
60511240	2x C 240 + 2x CK	50	2000
60500760	OG	100	5500



Installation C CK OG

Measures are expressed in millimeters



ACCESSORIES

Kit of 2 ledge holders for tubular radiators.



60751040

2x QX4

1

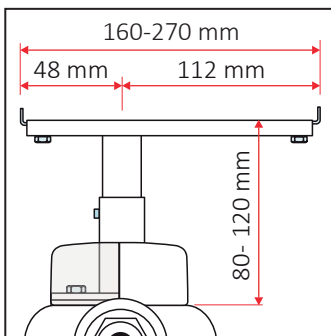
500

QX4
Ledge holder

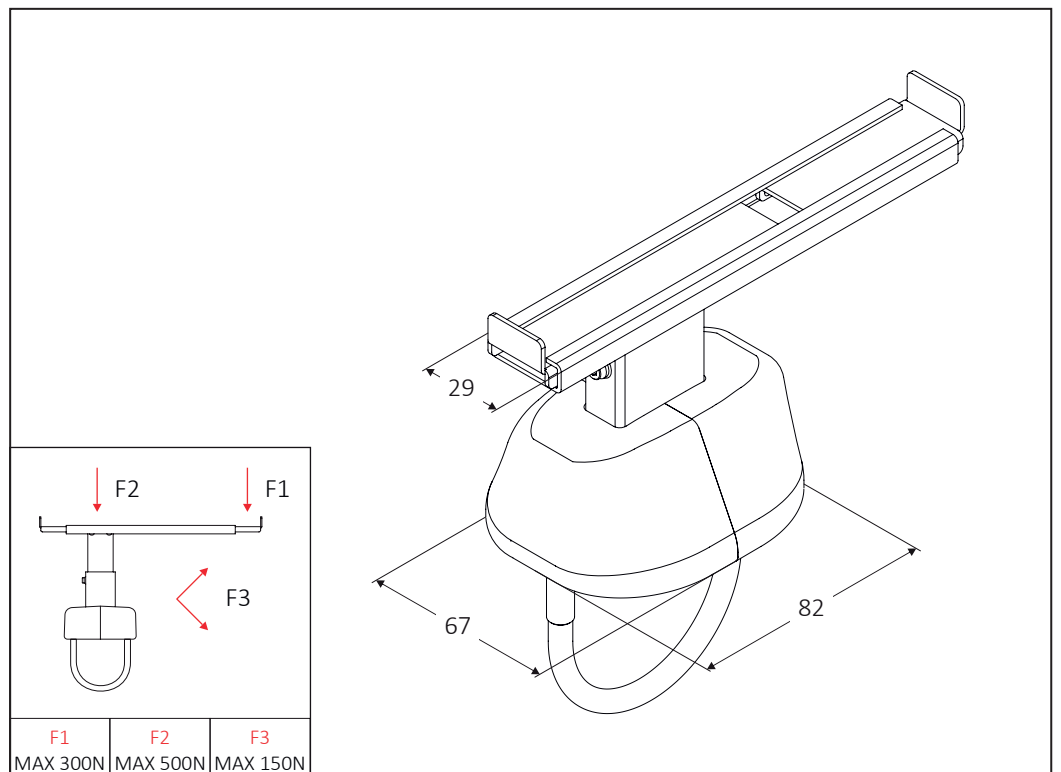
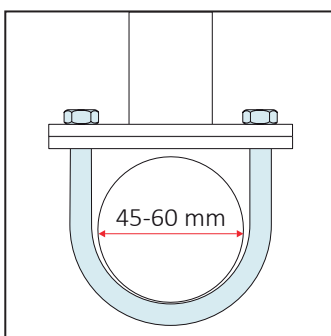


Regulation QX4

Measures are expressed in millimeters



Manifold dimensions



ACCESSORIES

Kit of two supports for bench construction on 6-column radiators. Distance from radiator to bench = 60 mm.
Available narrow or large version, according to the radiator manufacturer.

BEMM, IRSAP, RONDRA, ZEHNDER



60780215

2x PGP 215



1

110

ARBONIA, CORDIVARI, DL RADIATORS, ERCOS, ZENITH

60780230

2x PGP 230



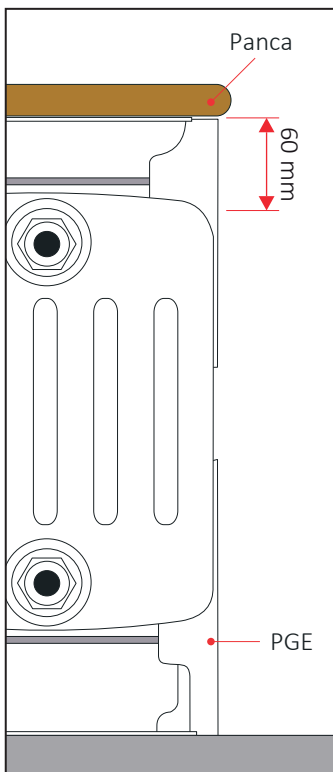
1

110

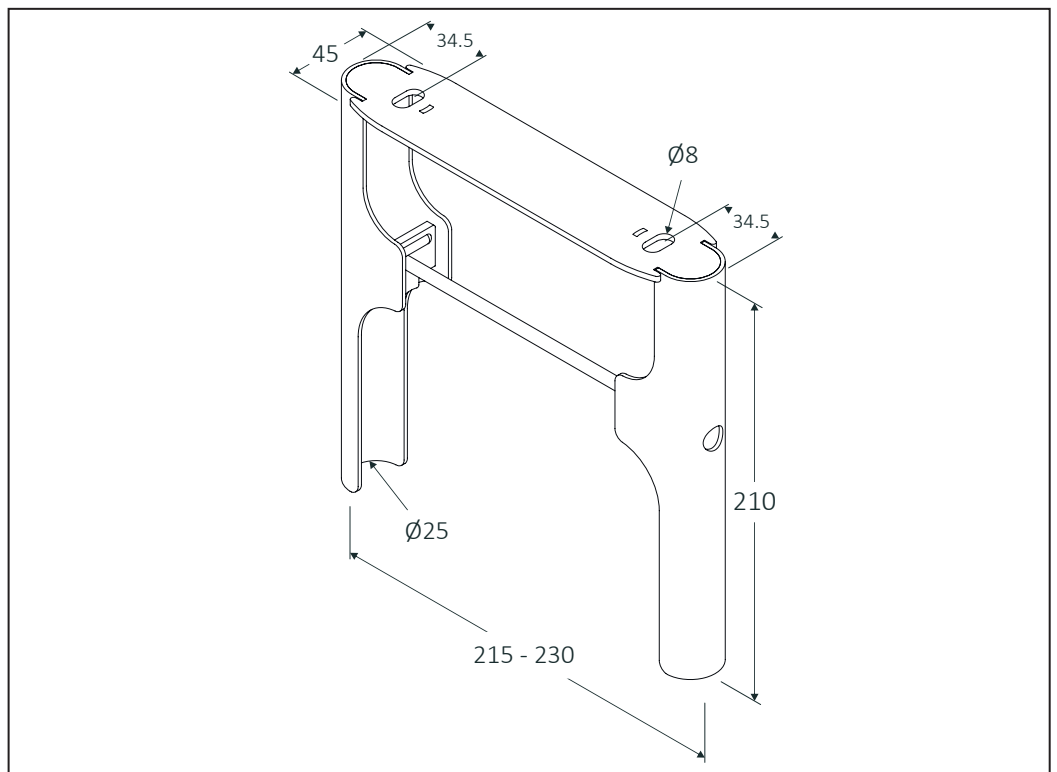
PGP
Support for bench



Distance PGP



Measures are expressed in millimeters



ACCESSORIES

Kit of two floor brackets for the bench construction through the use of tubular radiators fixed horizontally, for **2, 4** and **6 columns**, white version. Raw or galvanized version on request. Kit does not include seat/shelf.



ON REQUEST

2x PTP



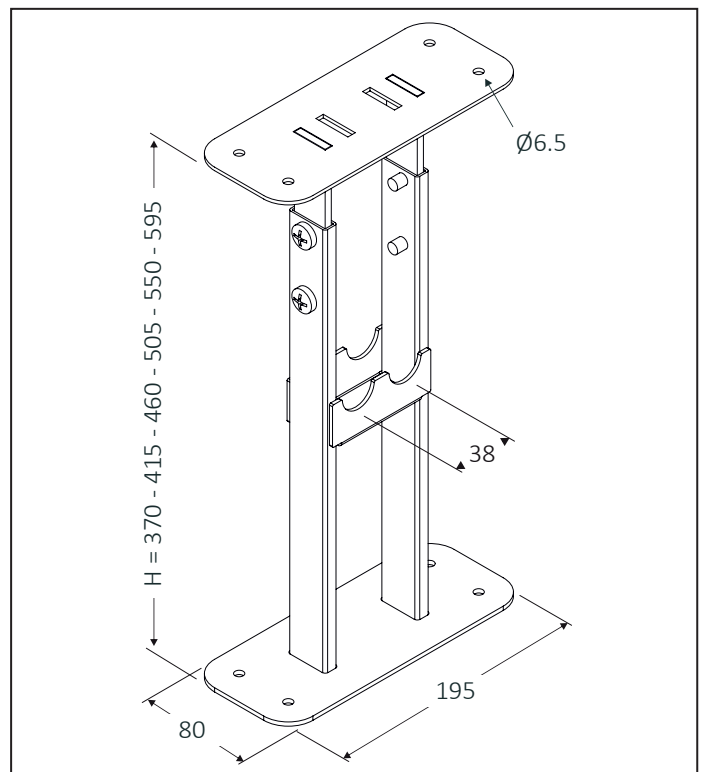
1

PTP

For radiators with 2-4-6 columns



Measures are expressed in millimeters



ACCESSORIES

Kit of two floor brackets for the bench construction through the use of tubular radiators fixed horizontally, for **3** and **5 columns**, white version. Raw or galvanized version on request. Kit does not include seat/shelf.



ON REQUEST

2x PTD



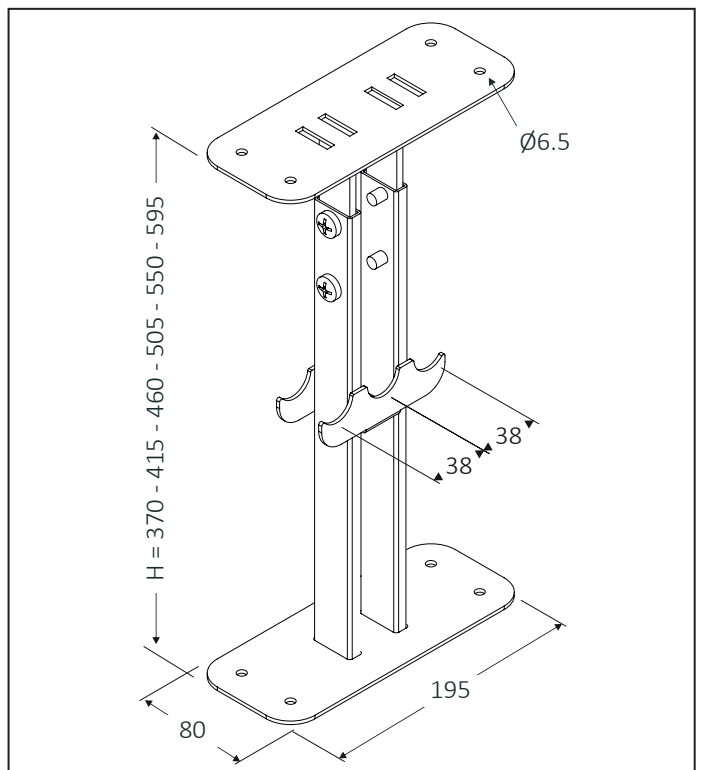
1

PTD

For radiators with 3-5 columns



Measures are expressed in millimeters





WE THINK THAT EVERY PROBLEM CAN BE SOLVED WITH
A TOUCH OF CREATIVITY

MB FIX SRL SB - VIA MADONNA NERA 2/B
I - 31030 BORSO DEL GRAPPA (TV)

marketing@mb-fix.it

Ph. +39 0423 913800
Fx. +39 0423 542188