



United Nations  
Educational, Scientific and  
Cultural Organization



## Fastening systems for panel radiators and convectors

The Pala group (Italian: Pale di San Martino, Dolomiti delle Pale or Gruppo delle Pale) is a mountain range in the Dolomites, in the eastern Trentino and part of the province of Belluno, northern Italy. They cover an area of c. 240 km<sup>2</sup>.



FIX IT

## BRACKETS READY FOR INSTALLATION

Two ready-to-install floor brackets for panel radiators type 11-12-21-22-33, height from 300 to 1000 mm, without central connections. **PK3**: configuration for finished floor. **PK1**: configuration for raw floor.

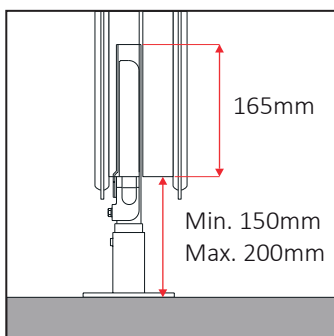


60741003	2x PK3 + 2x QKP + 2x QKK	 <b>AK3</b>	1	250
60741001	2x PK1 + 2x QKF + 2x QKK	 <b>AK3</b>	1	170

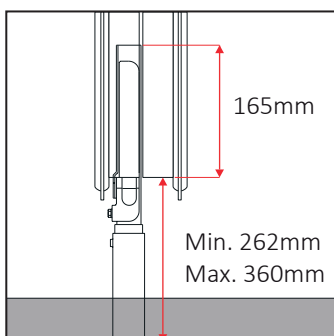


PK3 for finished floor

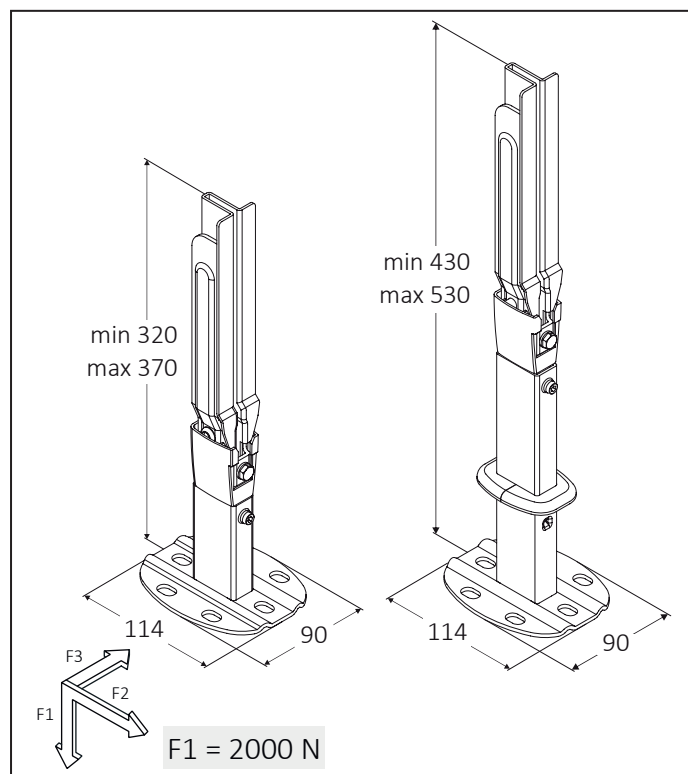
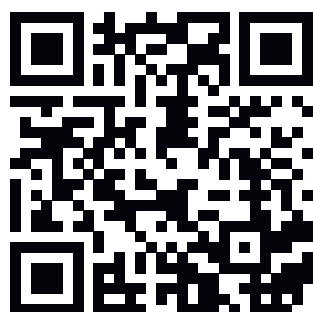
Measures are expressed in millimeters



PK1 for raw floor



 Assembly instructions

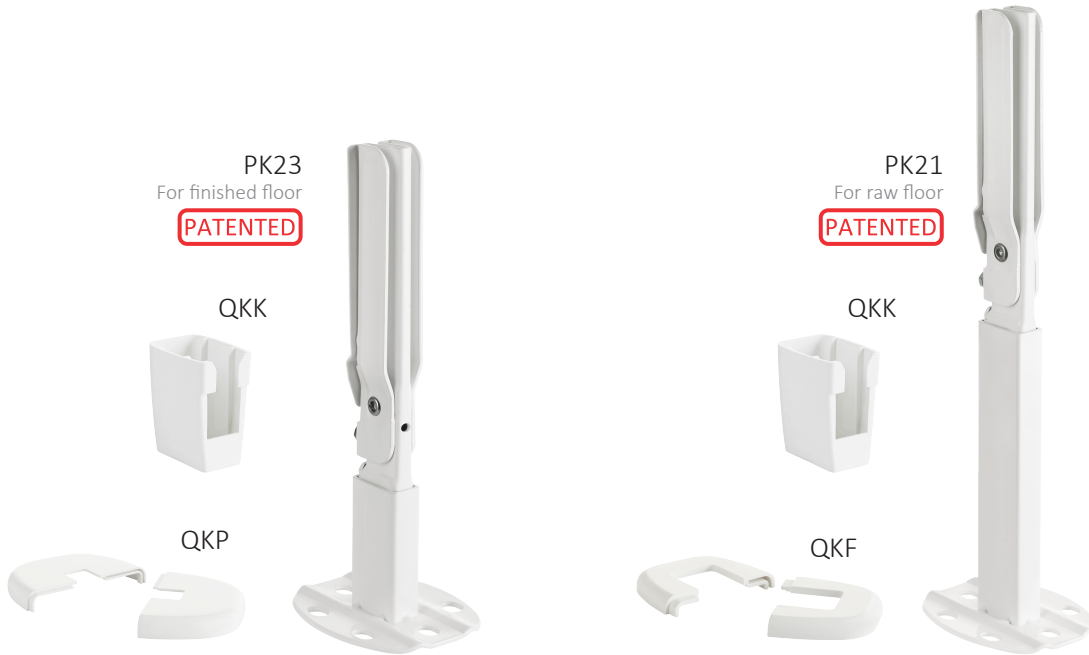


## BRACKETS READY FOR INSTALLATION

Two ready-to-install floor brackets for panel radiators type 11-12-21-22-33, height from 150 to 300 mm, without central connections. **PK23**: configuration for finished floor. **PK21**: configuration for raw floor.

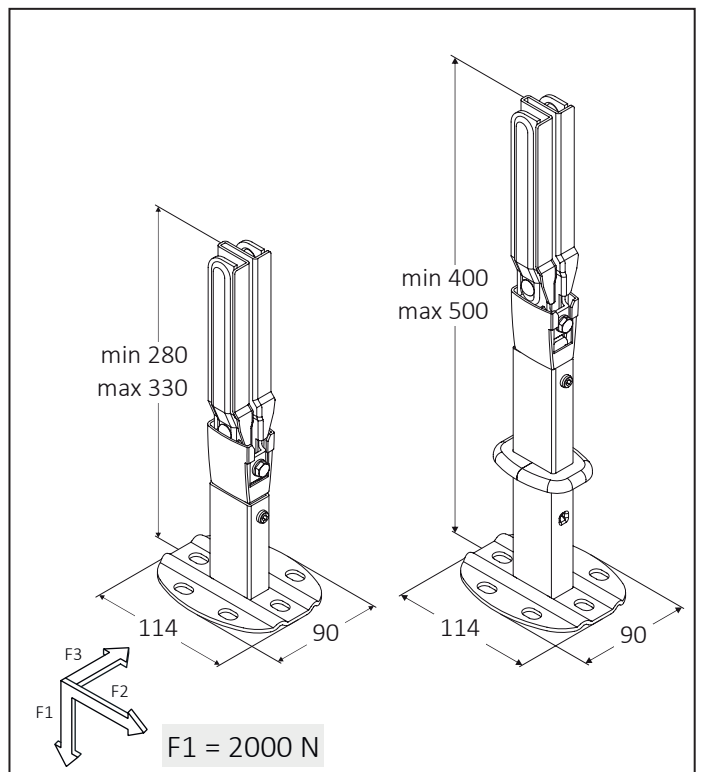
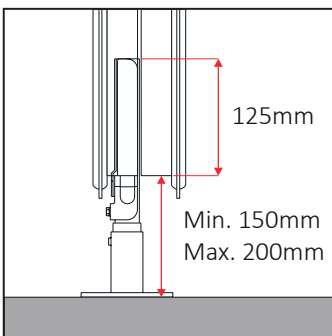


60740023	2x PK23 + 2x QKP + 2x QKK	 <b>AK3</b>	1	250
60740021	2x PK21 + 2x QKF + 2x QKK	 <b>AK3</b>	1	170



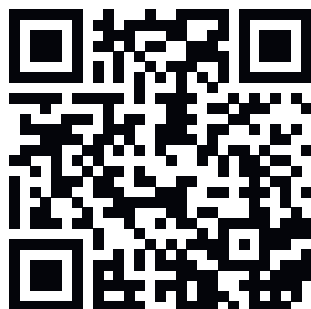
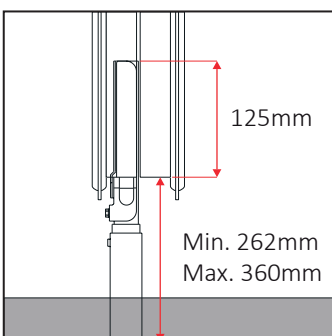
PK23 for finished floor

Measures are expressed in millimeters



PK21 for raw floor

 Assembly instructions



## BRACKETS READY FOR INSTALLATION

Two ready-to-install floor brackets for panel radiators type 22-30-33, height from 150 to 1000 mm, with and without central connections. **PX3**: configuration for finished floor. **PX1**: configuration for raw floor.



60753030	2x PX3 + 2x QKP	 <b>AK3</b>	1	150
60753010	2x PX1 + 2x QKF	 <b>AK3</b>	1	110

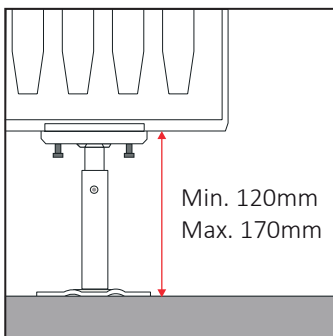
PX3  
For finished floor



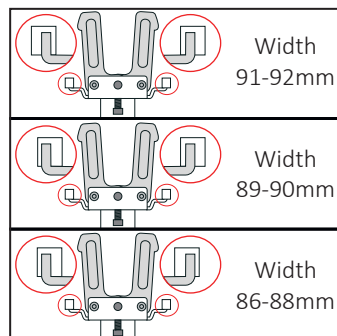
PX1  
For raw floor



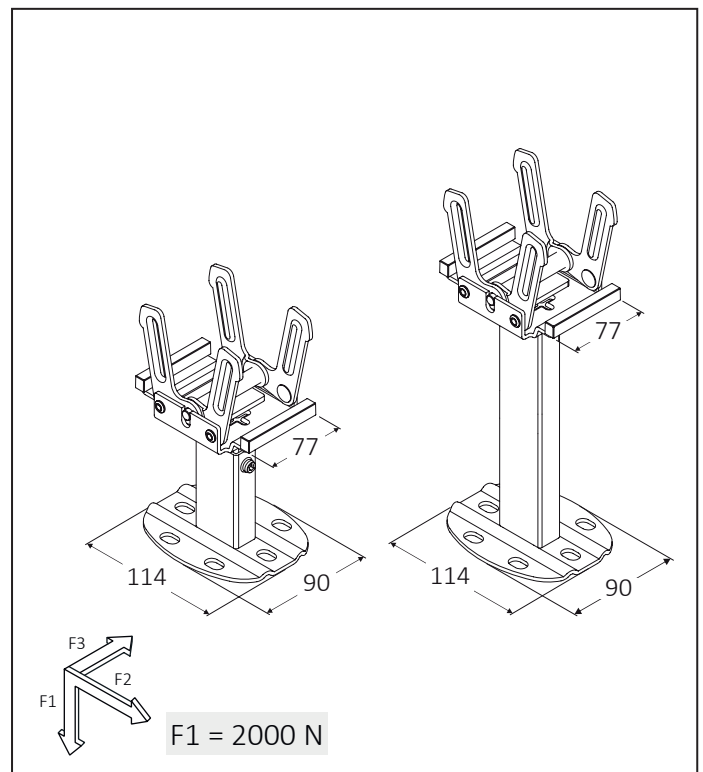
PX3 for finished floor



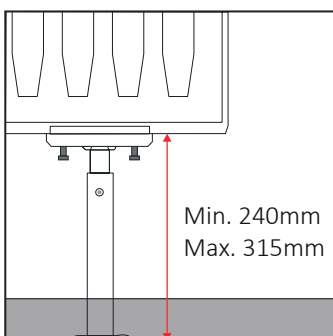
Widths PX3 and PX1



Measures are expressed in millimeters



PX1 for raw floor



 Assembly instructions



## BRACKETS READY FOR INSTALLATION

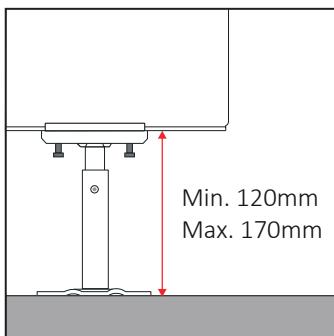
Two ready-to-install floor brackets for plain panel radiators type 22-30-33, height from 150 to 1000 mm, with and without central connections. **PX3-P**: configuration for finished floor. **PX1-P**: configuration for raw floor.



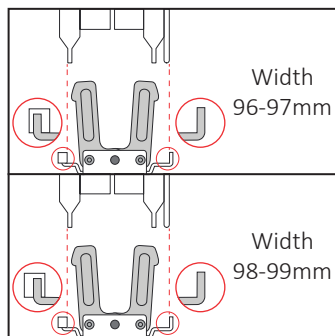
60753031	2x PX3-P + 2x QKP	1	150
60753011	2x PX1-P + 2x QKF	1	110



PX3-P for finished floor

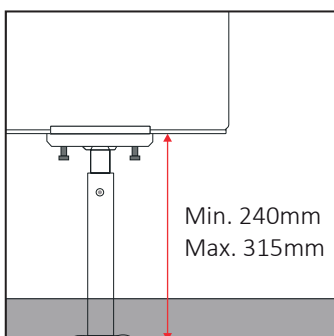


Widths PX3-P and PX1-P

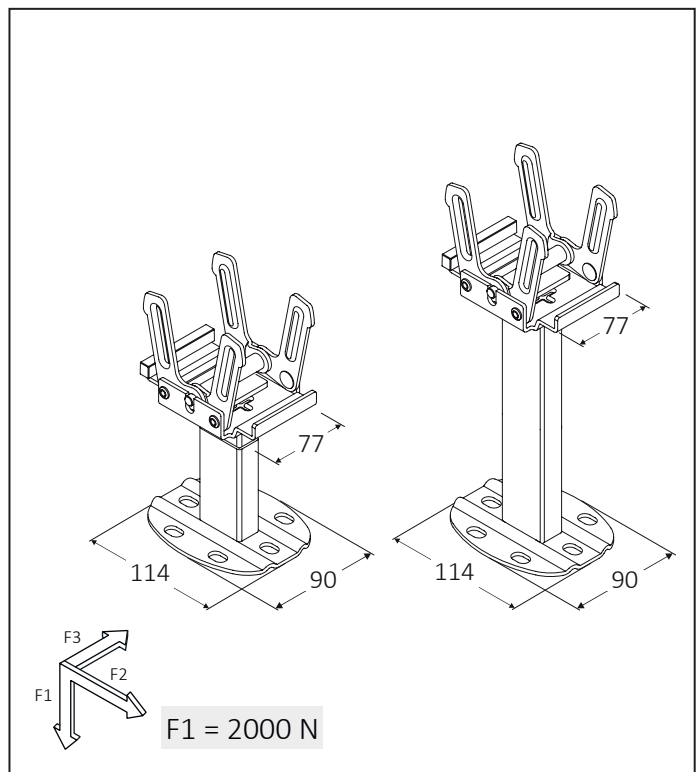


Measures are expressed in millimeters

PX1-P for raw floor



Assembly instructions



## BRACKETS READY FOR INSTALLATION

Two ready-to-install floor brackets for panel radiators type 20, height from 150 to 1000 mm, without central connections. **PX20-3**: configuration for finished floor. **PX20-1**: configuration for raw floor.



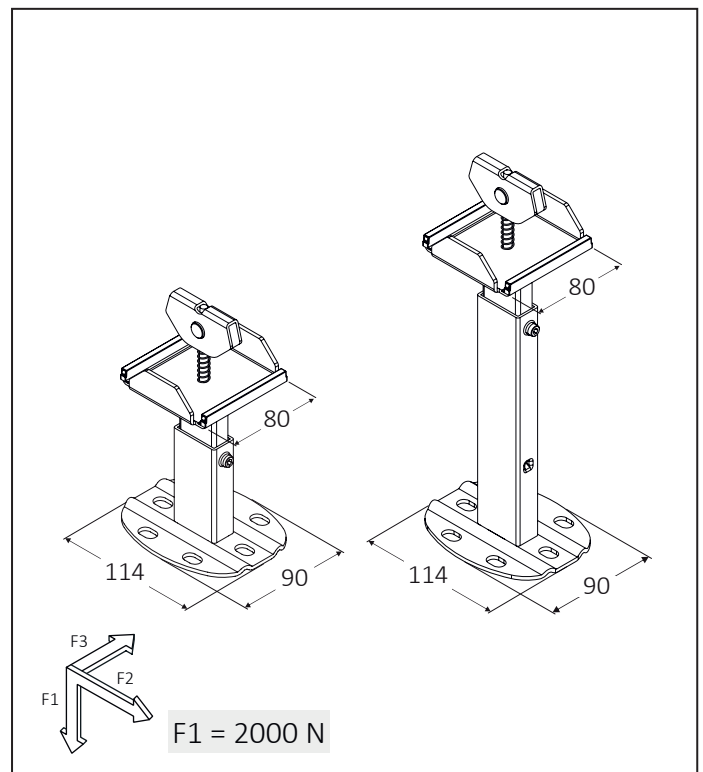
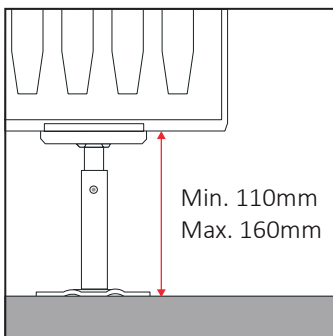
ON REQUEST 2x PX20-3 + 2x QKP

ON REQUEST 2x PX20-1 + 2x QKF



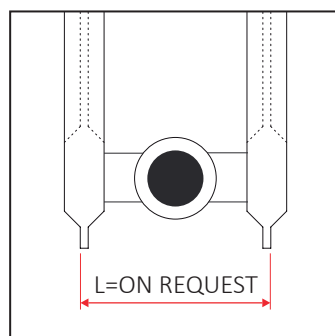
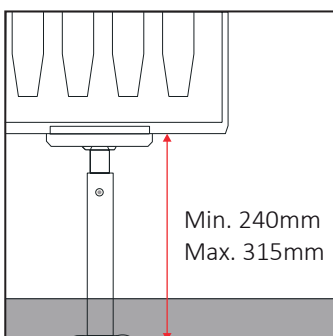
PX20-3 for finished floor

Measures are expressed in millimeters



PX20-1 for raw floor

Without convectors



## BRACKETS READY FOR INSTALLATION

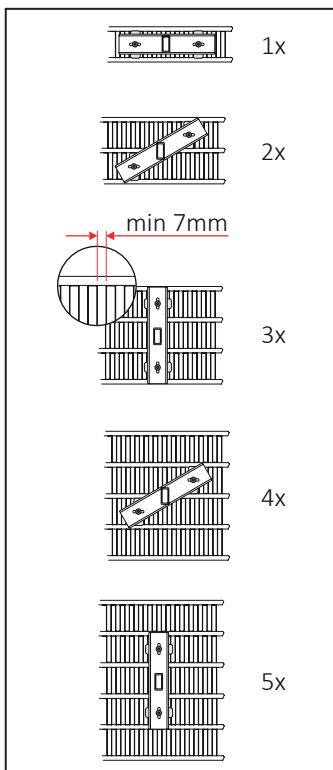
Two ready-to-install floor brackets for convectors. **PKK-3**: configuration for finished floor. **PKK**: configuration for raw floor. **PKK-1**: configuration for raw floor.



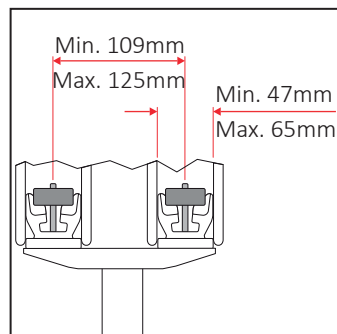
60744013	2x PKK-3 + 2x QKP	<b>AK3</b>	1	160
60744010	2x PKK + 2x QKF	<b>AK3</b>	1	150
60744011	2x PKK-1 + 2x QKF	<b>AK3</b>	1	110



### Regulations



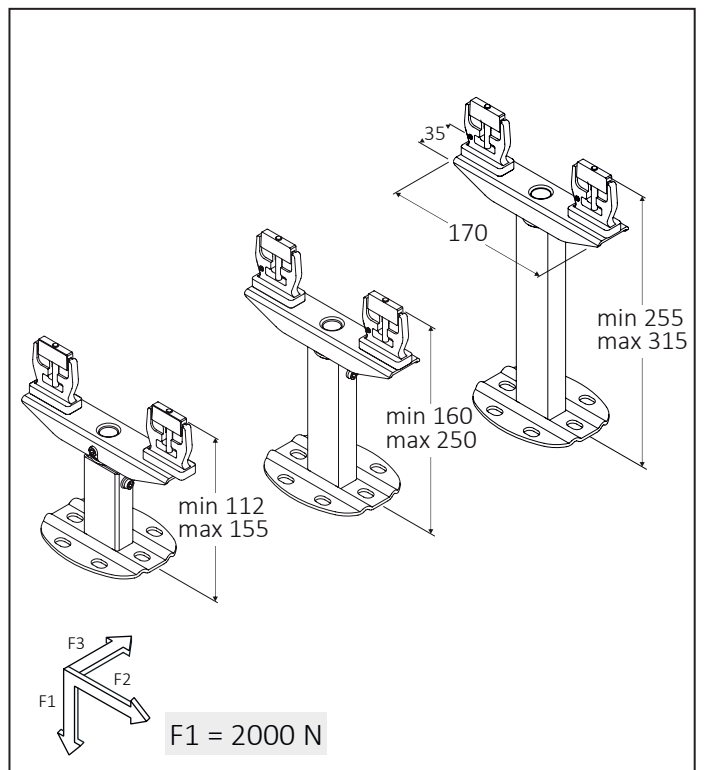
### Widths



Assembly instructions



### Measures are expressed in millimeters



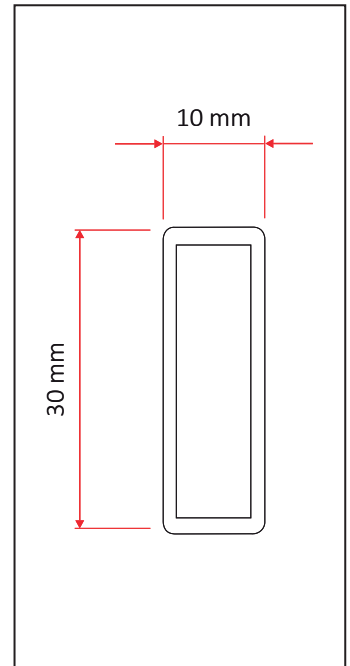
## MODULAR BRACKETS

Rectangular section tube for floor bracket composition, for panel radiators with height from 300 to 1000 mm.

QT



Code	Model	Box Qty	Pallet Qty
60705046	QT 460 mm	25	1500
60705056	QT 560 mm	25	1500
60705066	QT 660 mm	25	1000
60705076	QT 760 mm	25	1000
60705086	QT 860 mm	25	1000
60705096	QT 960 mm	25	1000
60705106	QT 1060 mm	25	1000
60705116	QT 1160 mm	25	1000

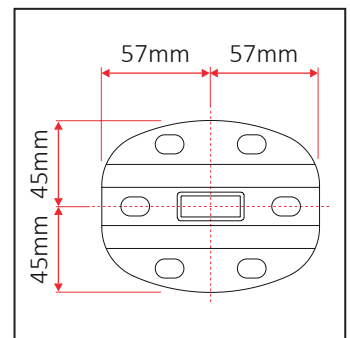


Base with central tube for floor bracket composition, with rectangular tube model **QT**.

QB



Code	Model	Box Qty	Pallet Qty
60705000	QB	50	2500
60705012	QK	20	3000



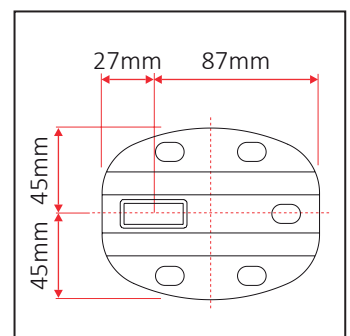
QK

Base with decentralized tube for floor bracket composition, with rectangular tube model **QT**.

QBX



Code	Model	Box Qty	Pallet Qty
60705005	QBX	50	2500
60705013	QKX	20	4000



QKX



## MODULAR BRACKETS

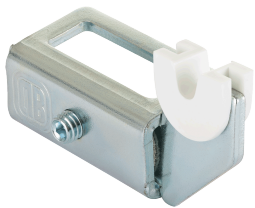
Superior fixing **Q1** and lower support **Q7**, for floor bracket composition with rectangular tube model **QT**, width regulation from 65 to 100 mm, bracket inside the radiator, for panel radiators with or without handles type 20-21-22-33.



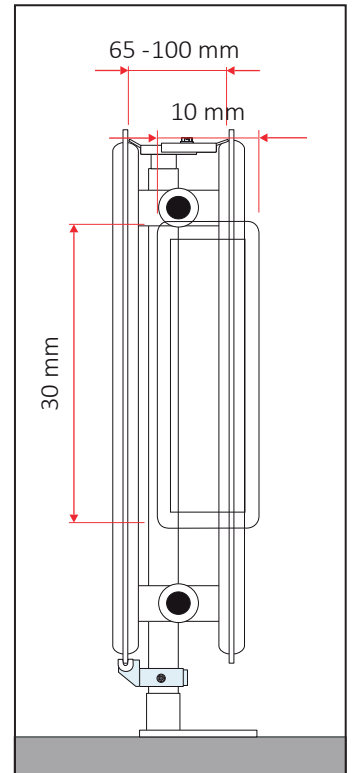
Q1



60705900 QN1: 1x Q7 + 1x Q1 50 2750



Q7



Couple of fixings **Q6**, for floor bracket composition with rectangular tube model **QT**, plug **Q9** in white Nylon; for panel radiators with handles.



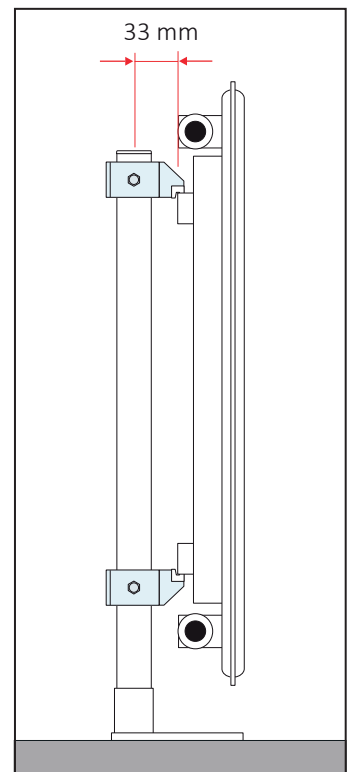
Q9



60705203 QE: 2x Q6 + 1x Q9 50 2750



Q6



## COVERS AND EXTENSIONS

**VL:** 10 cm extension for all ready-to-install floor brackets. **QKR:** tube-cover in white ABS, for all ready-to-install floor brackets, configuration for finished floor. **QKP** and **QKF:** base-cover in white ABS, supplied with all ready-to-install floor brackets.



60740004	1x VL (+ 10cm)	50	1050
60705024	2x QKR	25	2000
60705020	1x QKP	20	3000
60705022	1x QKF	20	4000



VL



QKR

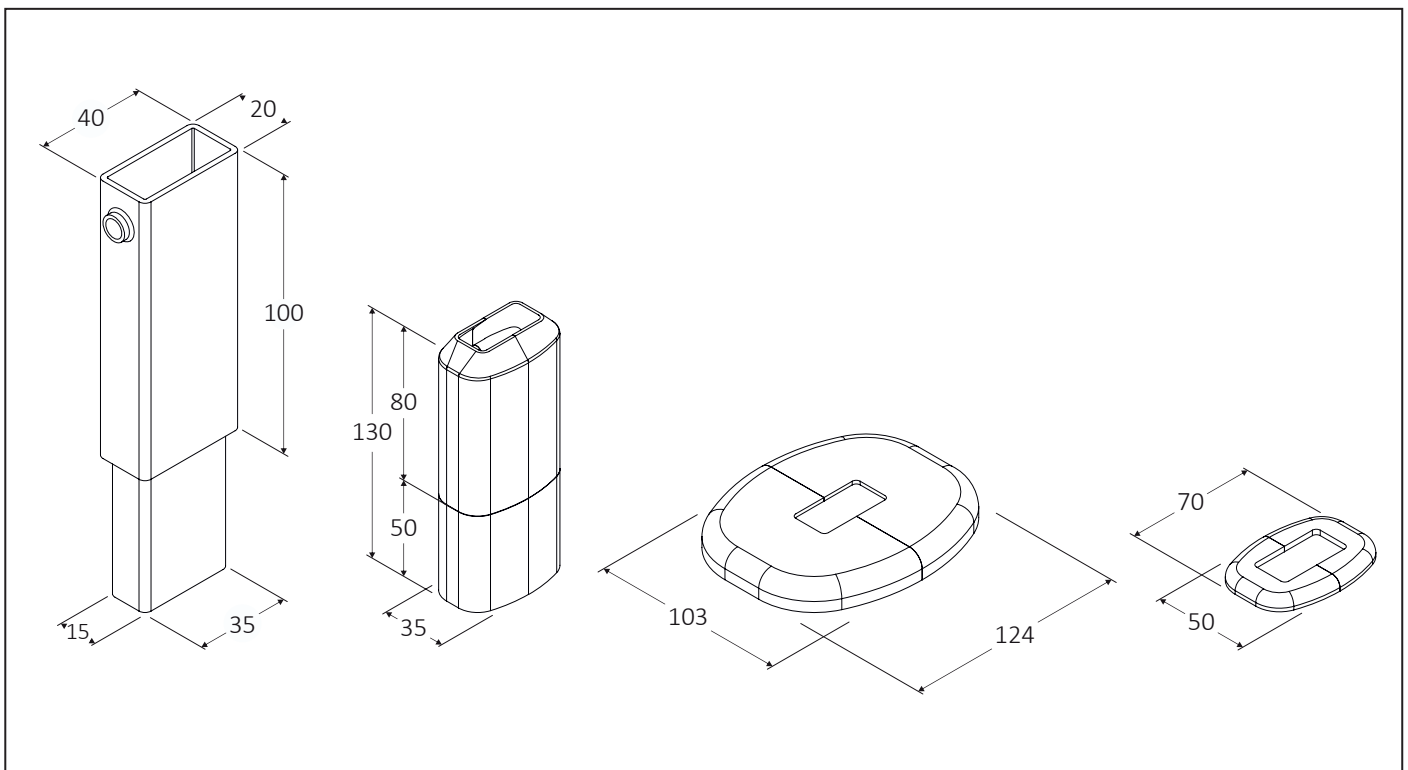


QKP



QKF

Measures are expressed in millimeters



## WALL RAIL BRACKETS

Two ready-to-install wall brackets for horizontal panel radiators with or without handles, multi-adjustable head, capacity: 150 kg each bracket. If mounted with safety **SC6** (article available separately), the installation complies with class 3 VDI 6036.

L = Length hook in mm: 3- 6,5- 7,5- 8,5- 9,5- 10,5 (see table below).



6063L030	2x F7V EASY H 300		<b>AK2</b>	50	800
6063L040	2x F7V EASY H 400		<b>AK2</b>	50	800
6063L050	2x F7V EASY H 500		<b>AK2</b>	30	840
6063L060	2x F7V EASY H 600		<b>AK2</b>	30	630
6063L070	2x F7V EASY H 700		<b>AK2</b>	25	350
6063L090	2x F7V EASY H 900		<b>AK2</b>	20	280
60550004	2x SC6 VDI 6036		<b>AK3</b>	100	30000

SC6  
Safety device

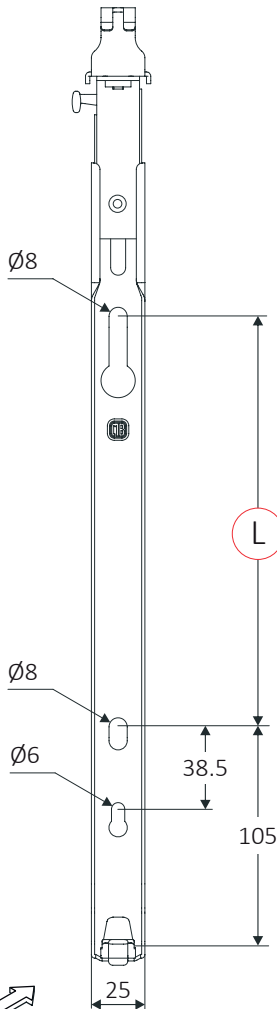


F7V  
Easy

**PATENTED**

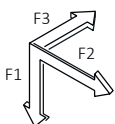


Measures are expressed in millimeters

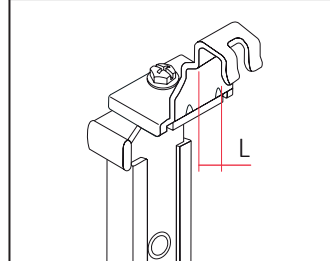


H=300	→	L=74
H=400	→	L=174
H=500	→	L=274
H=600	→	L=374
H=700	→	L=474
H=900	→	L=674

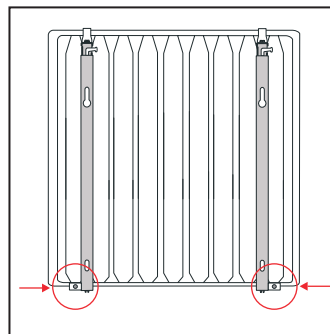
F1 = 1500 N



L = 3-6.5-7.5-8.5-9.5-10.5mm



**SC6:** safety device anti-slipping



Assembly instructions



## WALL RAIL BRACKETS

Two ready-to-install wall brackets for horizontal panel radiators “round bottom” with or without handles, multi-adjustable head, capacity: 150 kg each bracket.

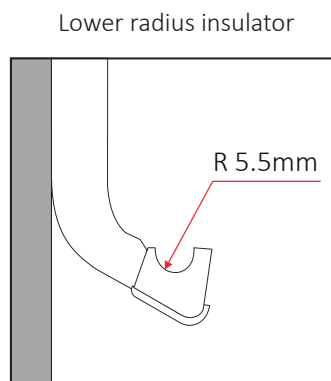
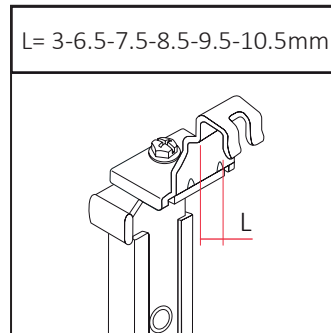
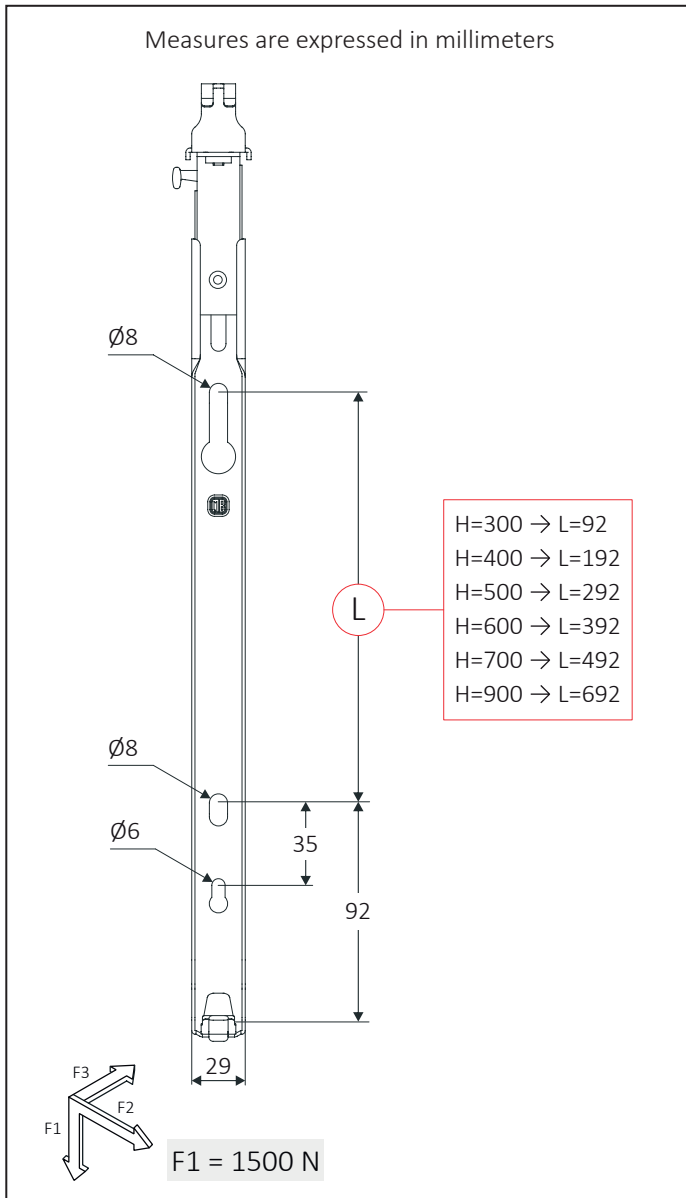
L = Length hook in mm: 3- 6,5- 7,5- 8,5- 9,5- 10,5 (see table below).



6062L030	2x F7RB EASY H 300		<b>AK2</b>	50	600
6062L040	2x F7RB EASY H 400		<b>AK2</b>	50	600
6062L050	2x F7RB EASY H 500		<b>AK2</b>	30	600
6062L060	2x F7RB EASY H 600		<b>AK2</b>	30	450
6062L070	2x F7RB EASY H 700		<b>AK2</b>	25	250
6062L090	2x F7RB EASY H 900		<b>AK2</b>	20	200

F7RB  
Easy

**PATENTED**



## WALL RAIL BRACKETS

Two ready-to-install wall brackets for vertical panel radiators with or without handles, multi-adjustable head, capacity: 150 kg each bracket. If mounted with safety **SC6**, the installation complies with class 3 VDI 6036.

L = Length hook in mm: 3- 6,5- 7,5- 8,5- 9,5- 10,5 (see table below).  
For hook L=3 mm necessary to use 4x SC6.



6063L070T

2x F7VERT EASY + 2x SC6



AK3

25

300

SC6  
Safety device

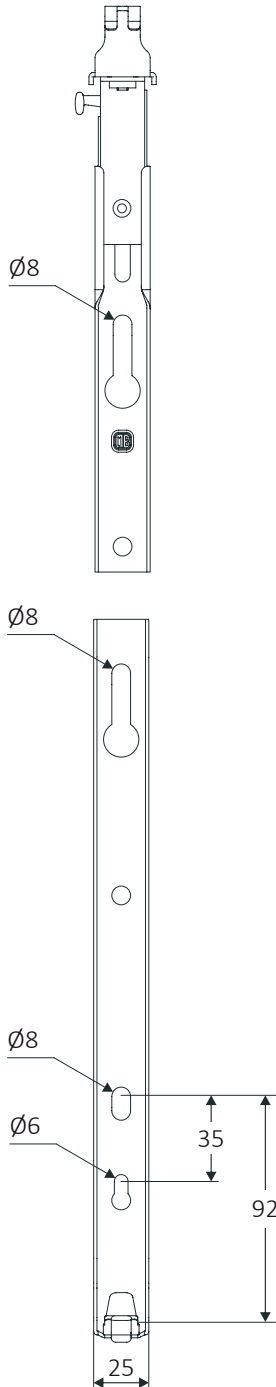


F7VERT  
Easy

PATENTED

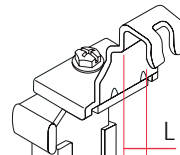


Measures are expressed in millimeters

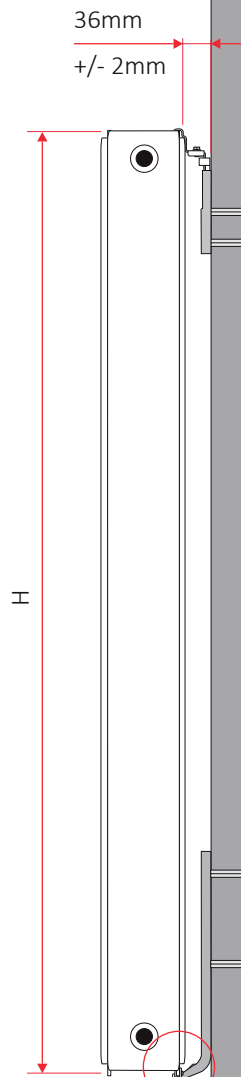


F1 = 1500 N

L = 3-6.5-7.5-8.5-9.5-10.5mm



Distance F7VERT



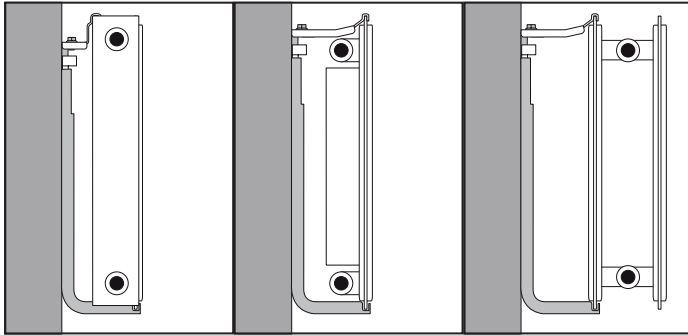
## WALL RAIL BRACKETS

Two ready-to-install wall brackets for horizontal panel radiators type 10 and 11 with or without grille, with or without handles. Available also in version for sanitary installations, multi-adjustable head.

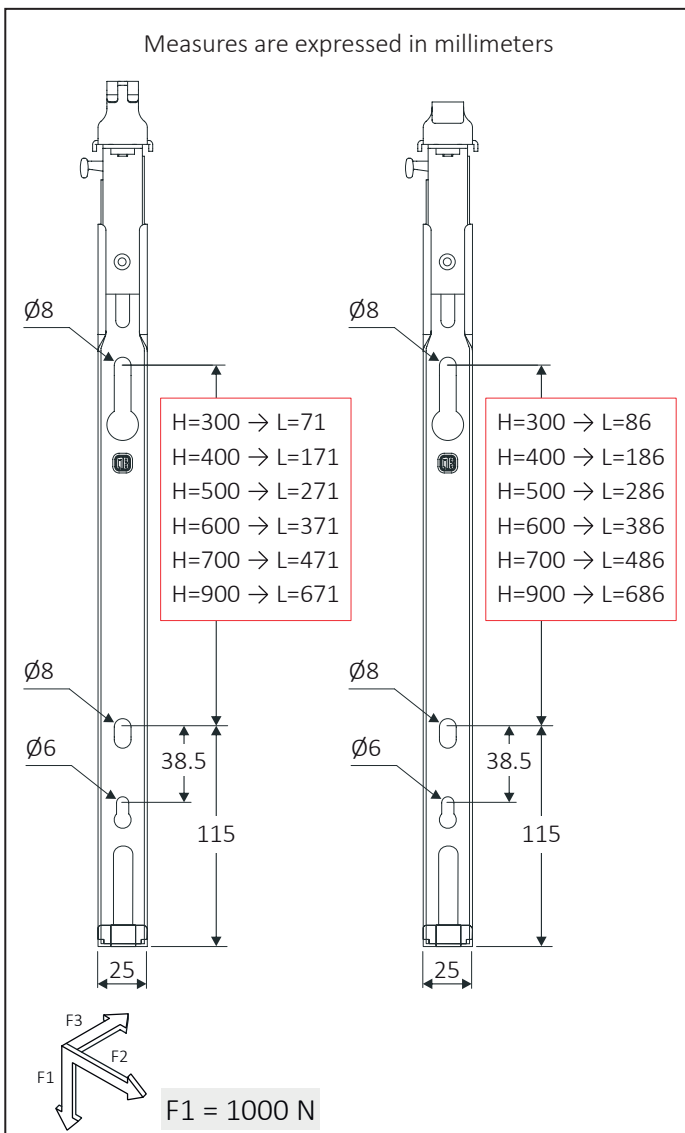


ON REQUEST 2x F7LG

ON REQUEST 2x F7L3




F7LG  
10-11 with grille
F7L3  
10-11 without grille
F7L3  
for Clean



# WALL RAIL BRACKETS

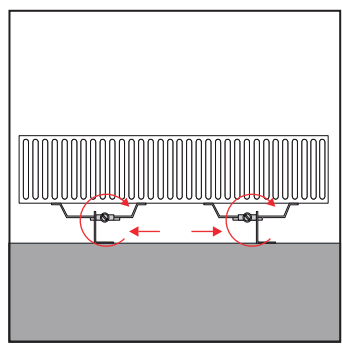
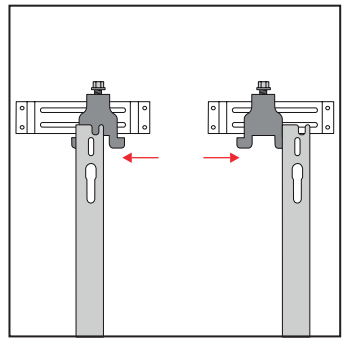
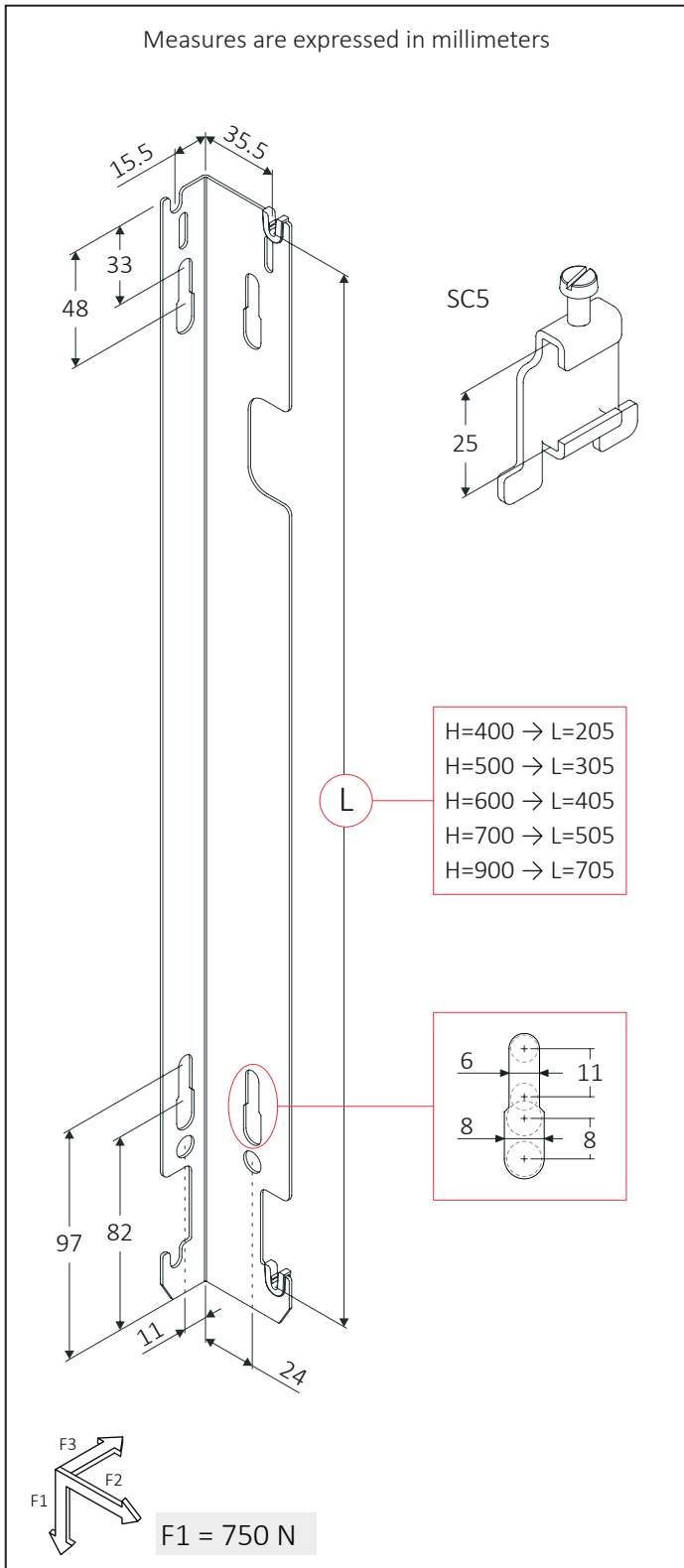
Brackets for quick wall mounting, for horizontal panel radiators with rear handles, with safety device anti-hooking/anti-slipping **SC5** integrated. Plastic insulators included. **GB1** is produced in different sizes, depending on the type and size of the radiator.



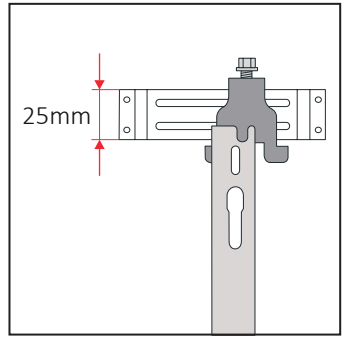
60550007    2x SC5     **AK3**    50    7500


SC5  
Safety device  
**PATENTED**

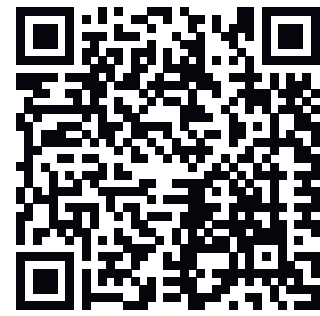
ON REQUEST    2x GB1



Dimension rear handle







 [Assembly instructions](#)



## WALL RAIL BRACKETS

Brackets for quick wall mounting, for horizontal panel radiators with rear handles, with safety device anti-hooking, micro-adjustable head approaching handle. Plastic insulators included.



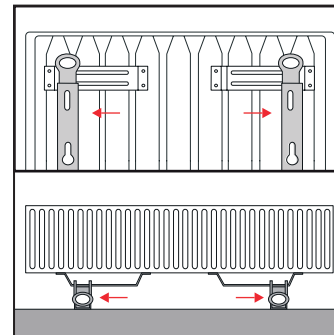
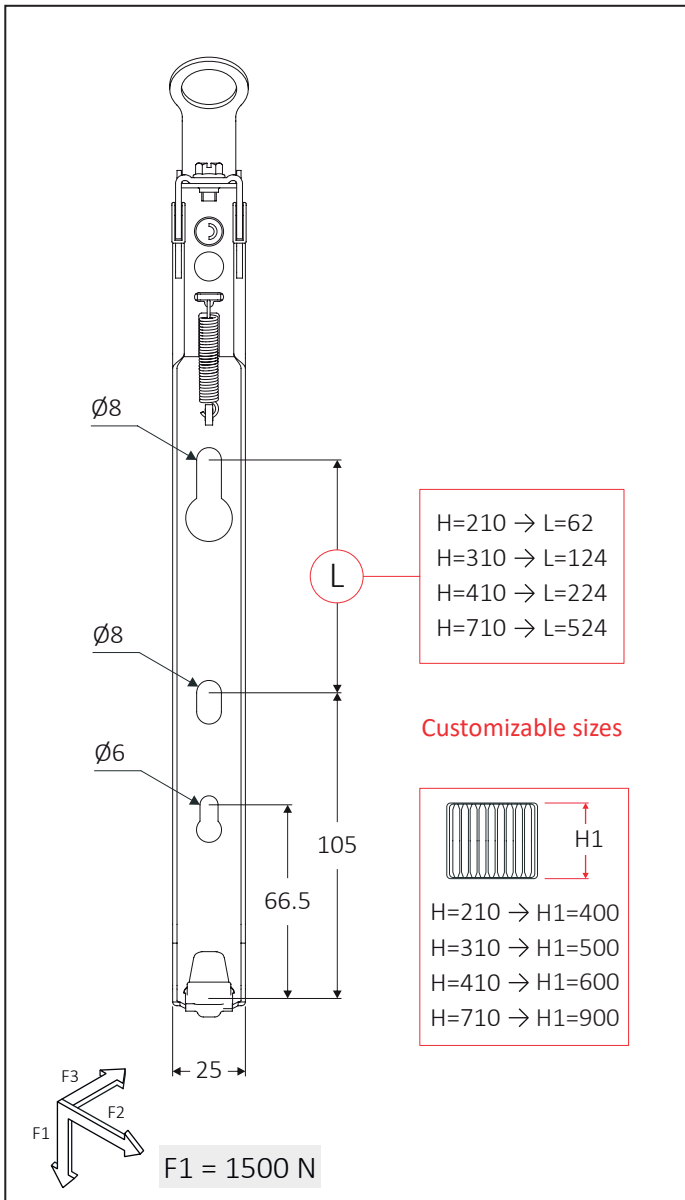
60688210	2x F8 H 400	 <b>AK3</b>	50	800
60688310	2x F8 H 500	 <b>AK3</b>	30	840
60688410	2x F8 H 600	 <b>AK3</b>	30	840
60688710	2x F8 H 900	 <b>AK3</b>	25	350
<b>OTHER HEIGHTS ON REQUEST</b>				

F8

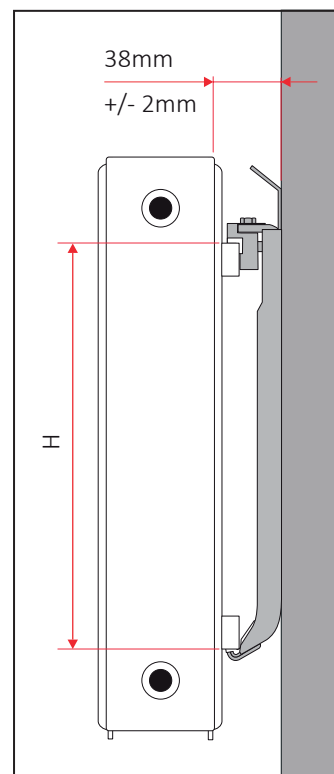


Measures are expressed in millimeters

VDI 6030 AK3



Height (H) on request





## WALL RAIL BRACKETS

Brackets for quick wall mounting, for vertical panel radiators with rear handles, with safety device anti-hooking, micro-adjustable head approaching handle. Plastic insulators included.



60688390T0

2x F8VERT

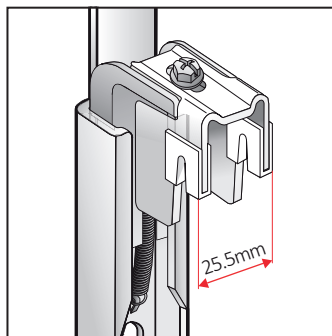
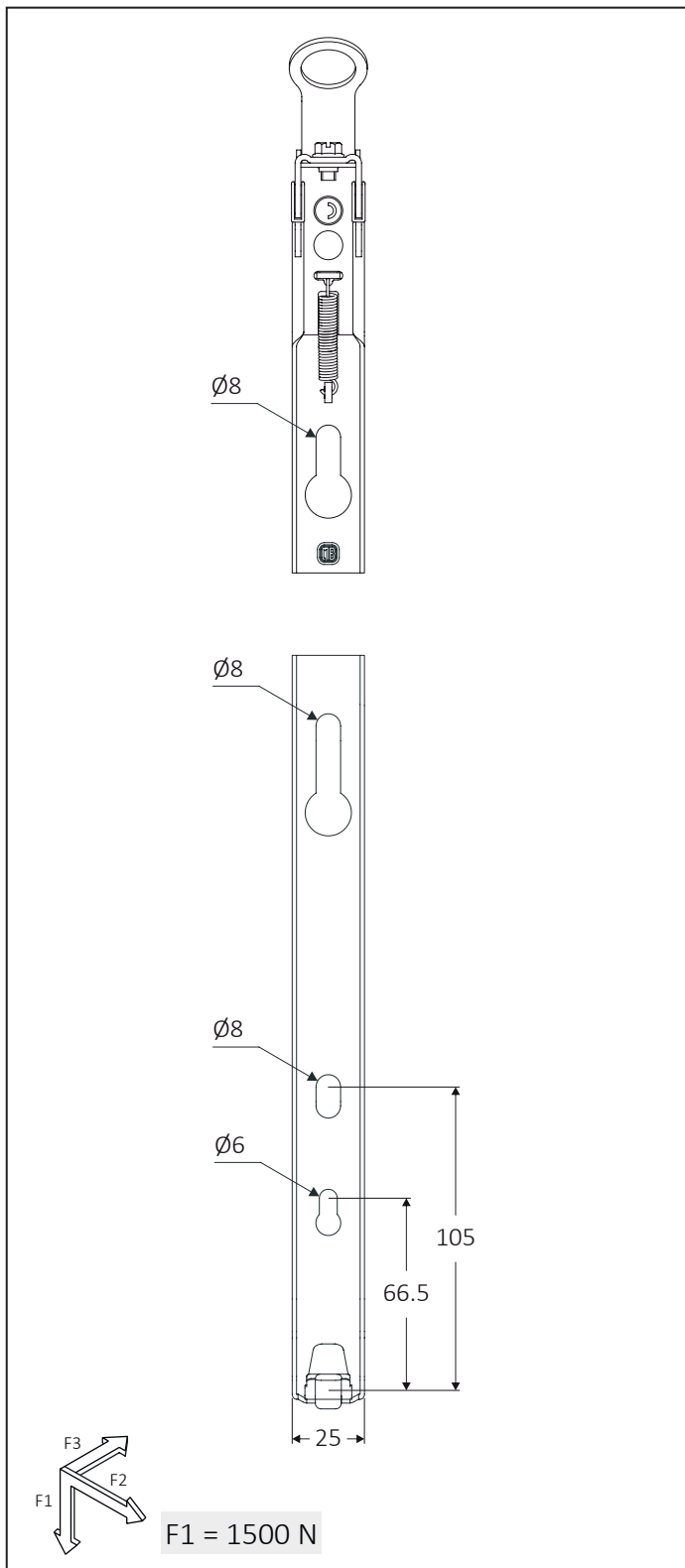


**AK2**

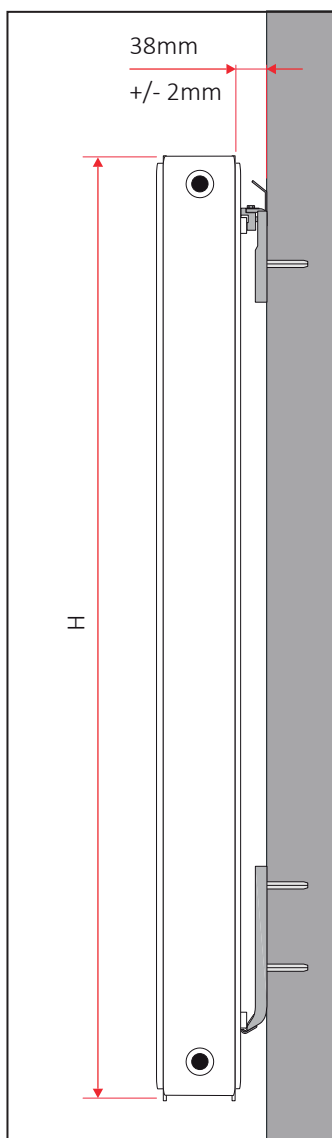
25

800

Measures are expressed in millimeters



Distance F8VERT



F8VERT



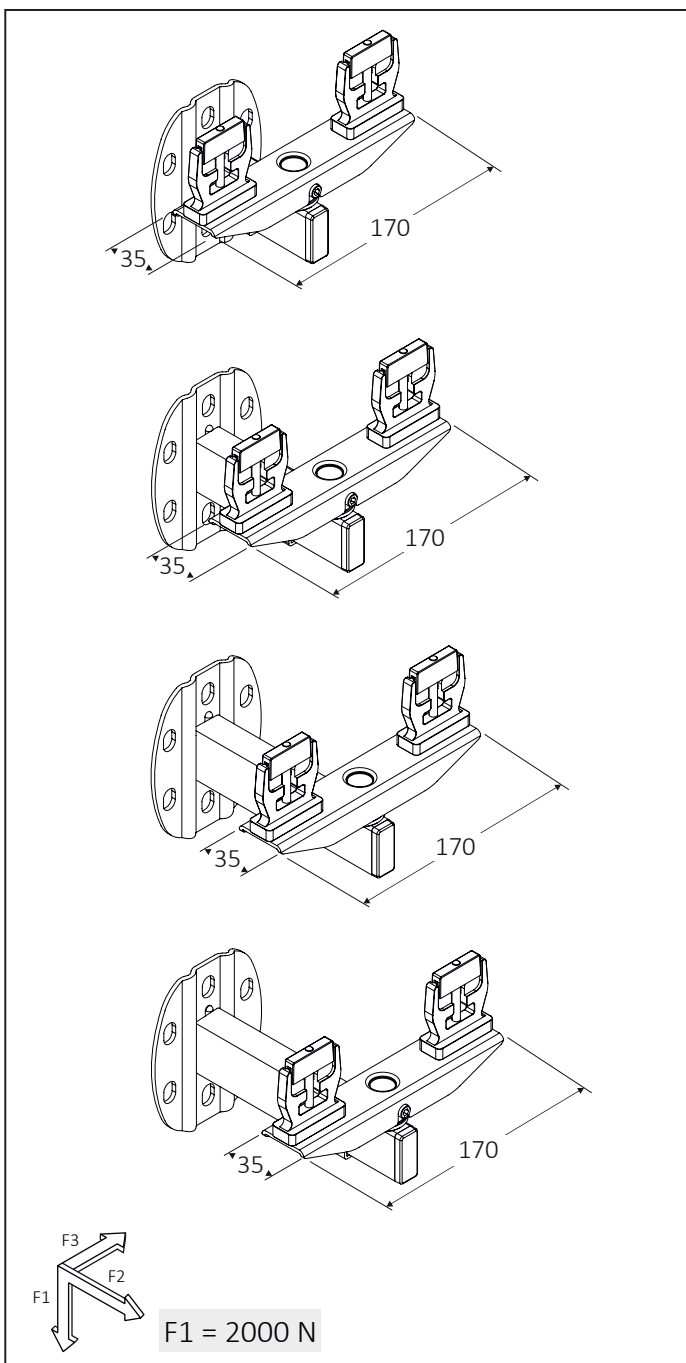
## WALL BRACKETS

Ready-to-install wall brackets **PKKW** for convectors, base-cover **QKP** in white ABS included.



60744031	2x PKKW-1 + 2x QKP		<b>AK2</b>	1	150
60744032	2x PKKW-2 + 2x QKP		<b>AK2</b>	1	150
60744033	2x PKKW-3 + 2x QKP		<b>AK2</b>	1	150
60744034	2x PKKW-4 + 2x QKP		<b>AK2</b>	1	150

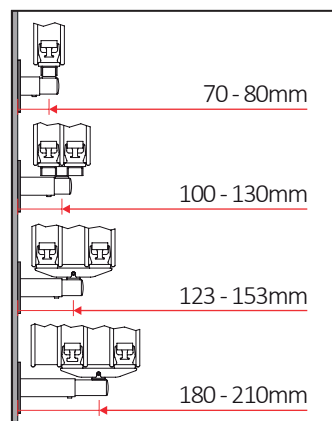
Measures are expressed in millimeters



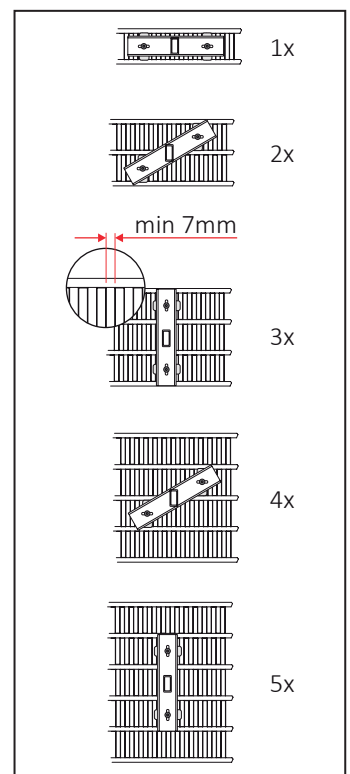
QKP



Distance PKKW



Regulations



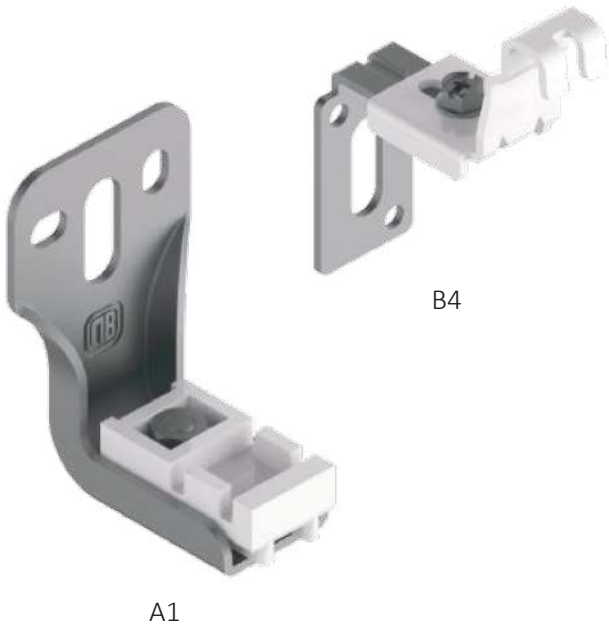
## WALL BRACKETS

**A1 B4:** Ready-to-install wall brackets for horizontal and vertical panel radiators with or without rear handles, adjustable head and base. **A10 B30:** Ready-to-install wall brackets for panel radiators with handles, adjustable head. **B30** with possible adjustment for distance handle to wall (68-82 mm). Plastic insulators included.

L = Length hook in mm: 6,5- 7,5- 8,5- 9,5- 10,5 (see table below).



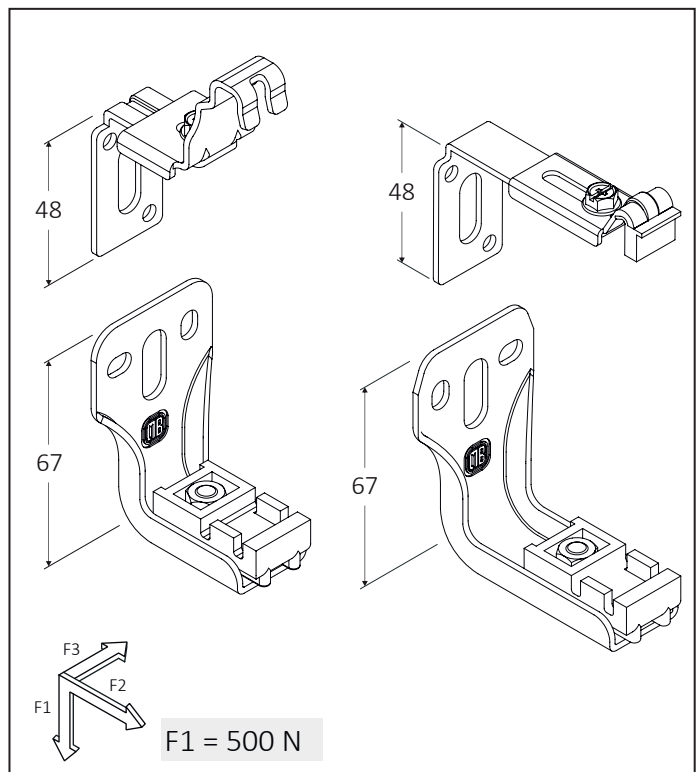
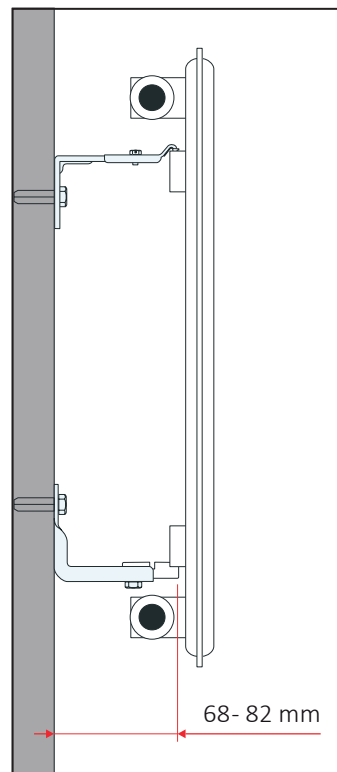
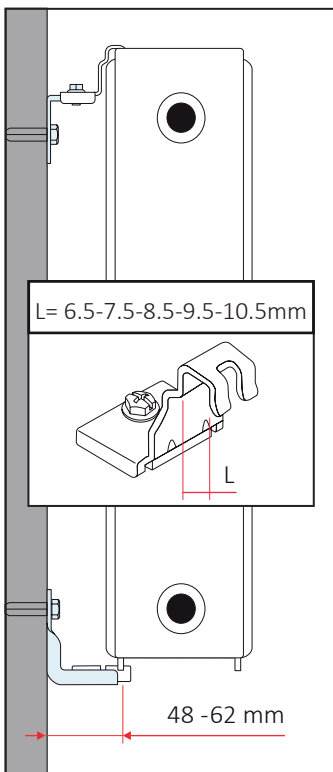
604003L5	2x A1 + 2x B4	50	2500
60400310	2x A10 + 2x B30	50	2500



Distance A1 B4

Distance A10 B30

Measures are expressed in millimeters



## WALL BRACKETS

Ready-to-install wall brackets with spacer **NS** in white plastic, for horizontal and vertical panel radiators with rear handles. Plastic insulators included. **D2**: radiators type 20-21-22-33. Adjustment for distance handle to wall (22-32mm). **D20**: radiators type 10-11. Adjustment for distance handle to wall (35-45 mm).



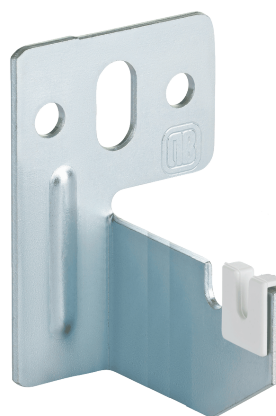
60400527	2x D2 + 2x NS	50	2750
60400528	2x D20 + 2x NS	50	2000



D2



NS



D20

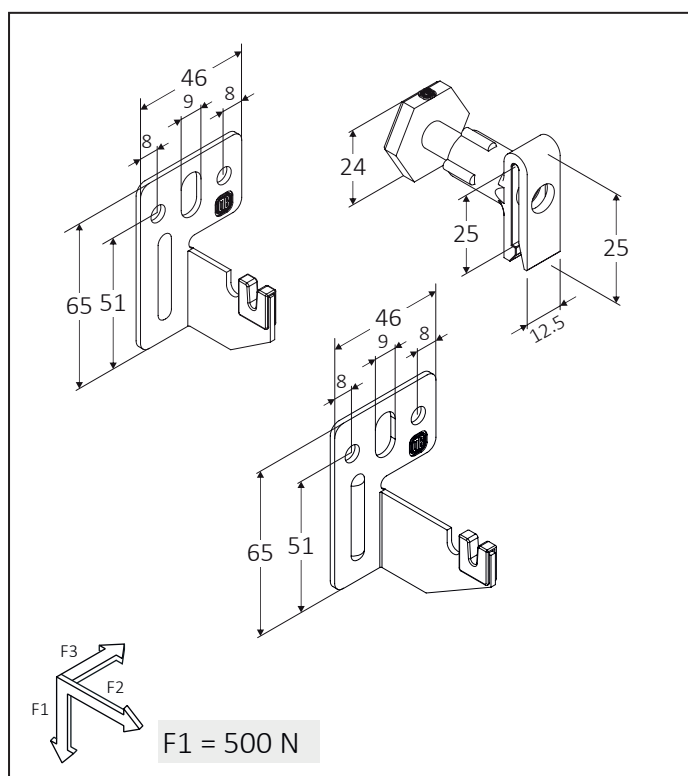
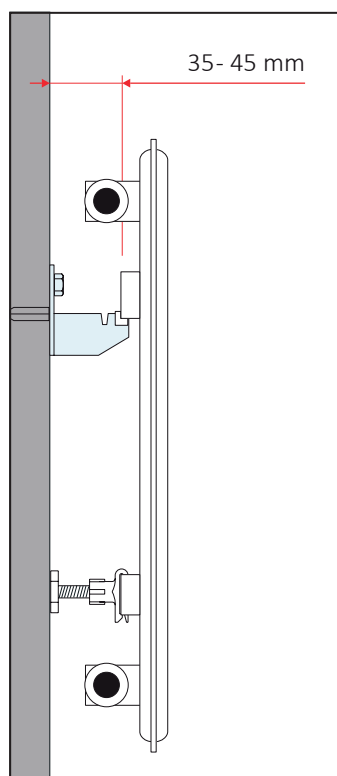
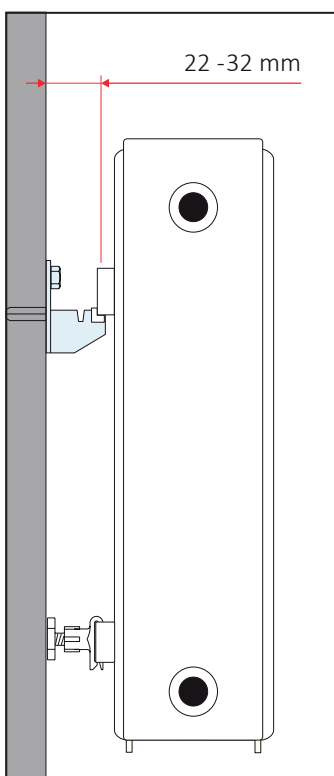


NS

Distance D2

Distance D2

Measures are expressed in millimeters

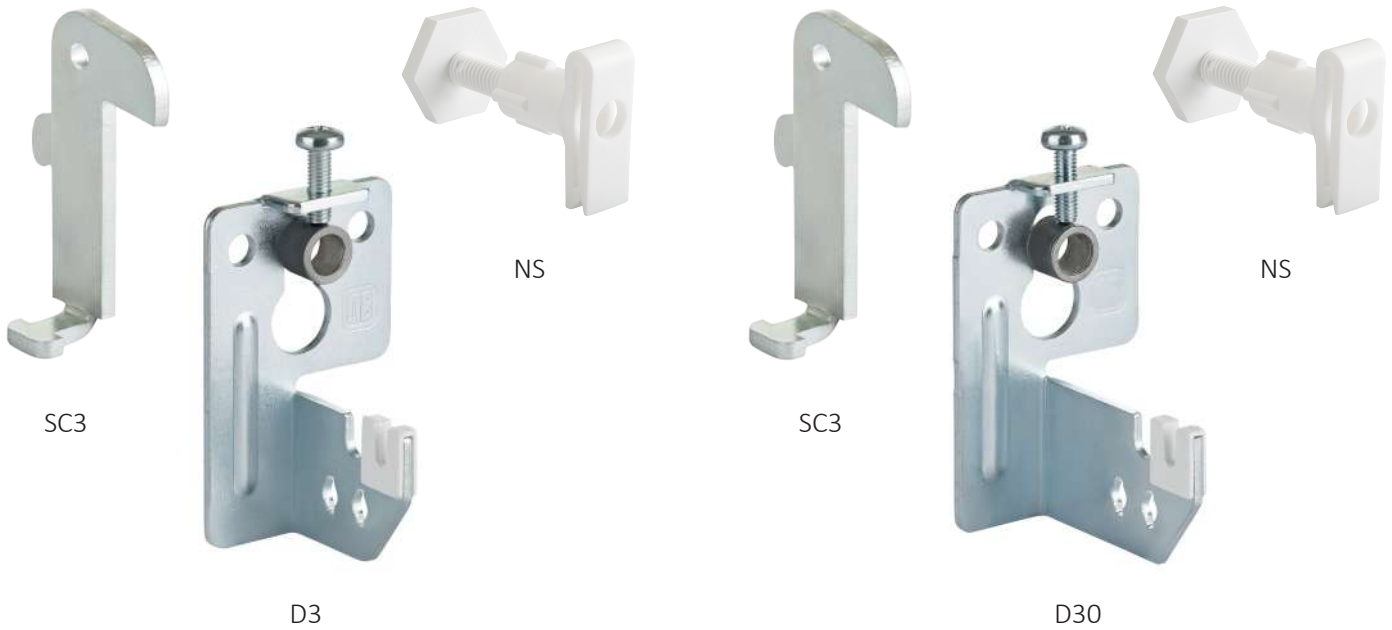


## WALL BRACKETS

Ready-to-install wall brackets with spacer **NS** in white plastic and anti-hooking system **SC3**, for horizontal and vertical panel radiators with rear handles. Plastic insulators included. **D3**: radiators type 20-21-22-33. Adjustment for distance handle to wall (22-32 mm). **D30**: radiators type 10-11. Adjustment for distance handle to wall (35-45 mm).



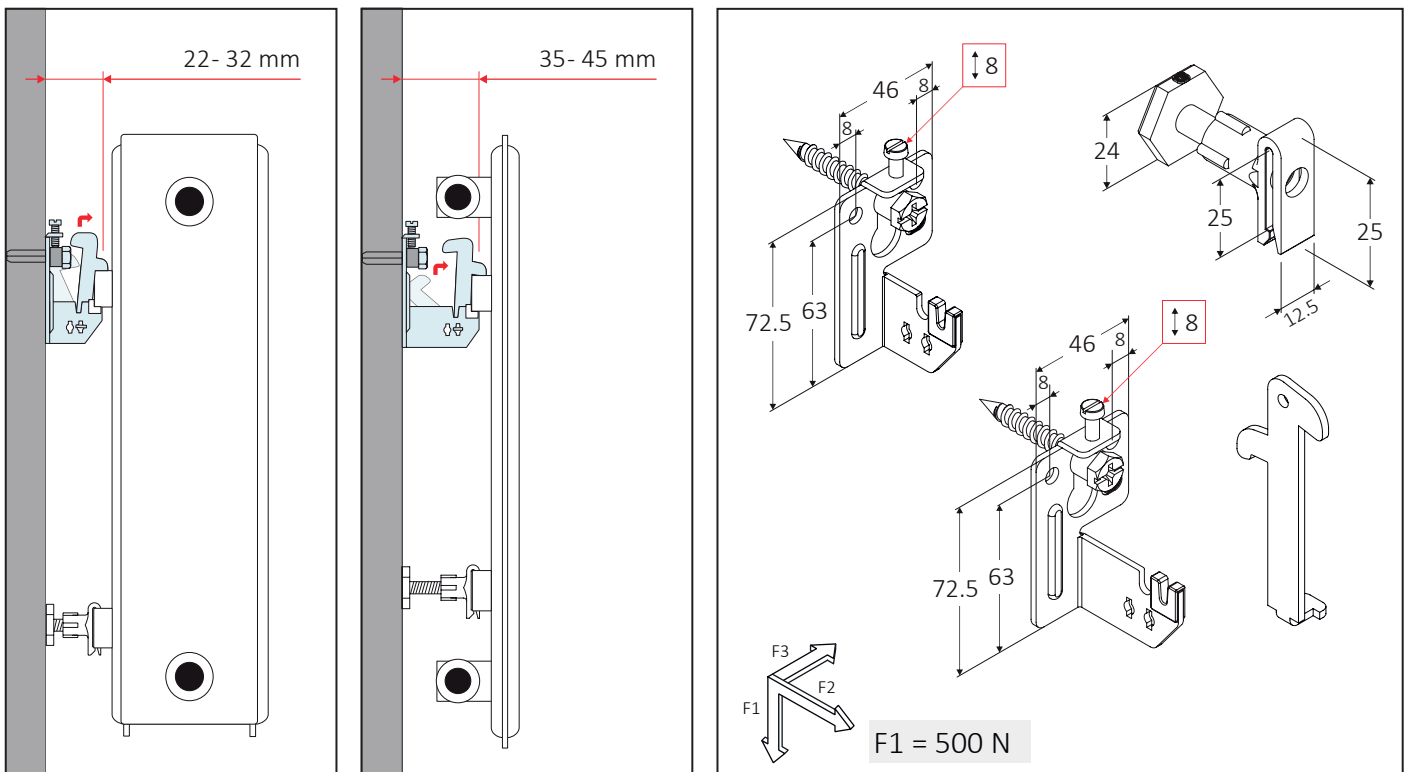
60400540	2x D3 + 2x NS + 2x SC3	50	3300
60400541	2x D30 + 2x NS + 2x SC3	50	2000



Distance D3

Distance D30

Measures are expressed in millimeters



## EXPANSION BRACKETS

Kit of two expansion brackets for horizontal and vertical steel panel radiators with handles, with supports **CX** and spacers **NS**. Adjustment for distance from wall (34-66 mm). Plastic insulators included. **NP**: transparent extension for spacer **NS**.

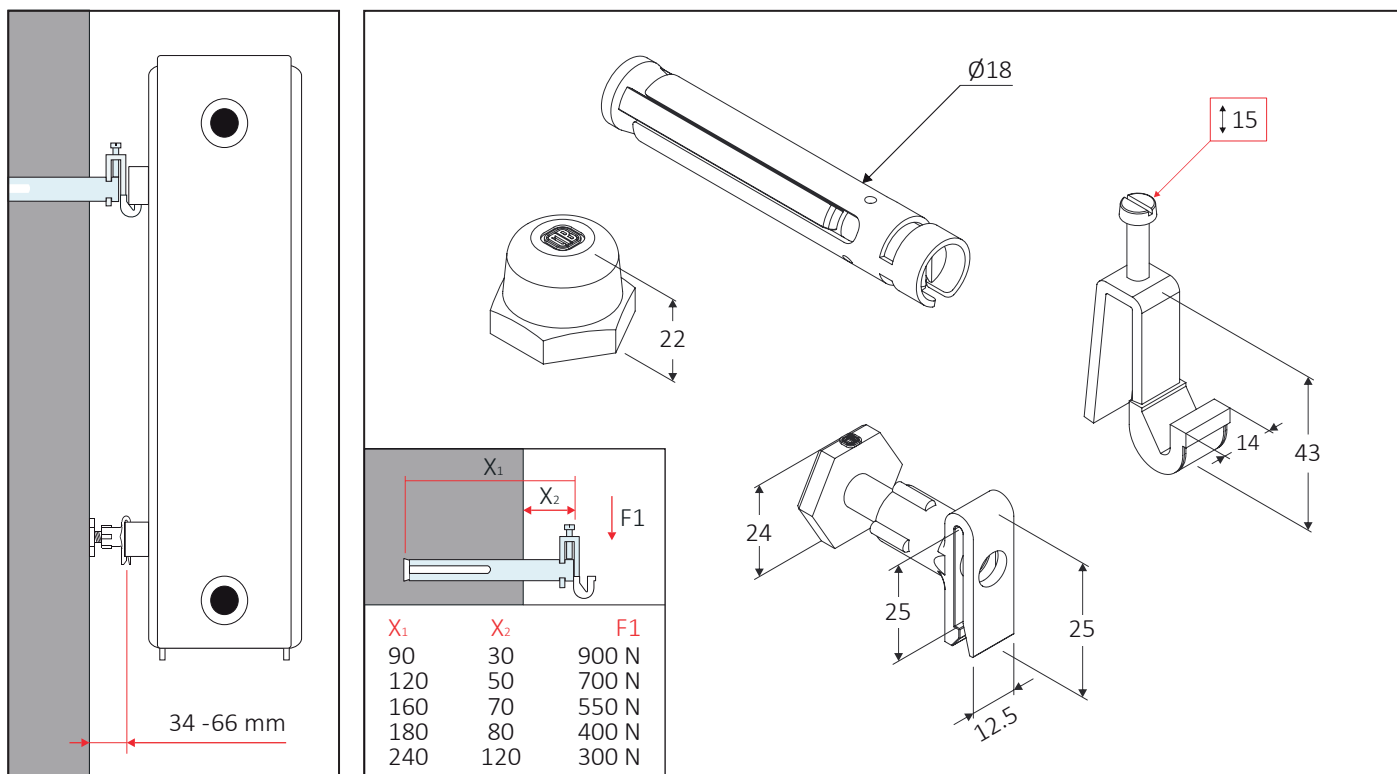


60530090	2x C 90 + 2x CX + 2x NS	50	2500
60530120	2x C 120 + 2x CX + 2x NS	50	2500
60530160	2x C 160 + 2x CX + 2x NS	50	2500
60530180	2x C 180 + 2x CX + 2x NS	50	2500
60530240	2x C 240 + 2x CX + 2x NS	50	2000
60020239	NP	100	5500



Distance C CX

Measures are expressed in millimeters



## EXPANSION BRACKETS

Kit of two expansion brackets for horizontal and vertical steel panel radiators with handles and spacers **NS**.  
Adjustment for distance from wall (34-66 mm). Plastic insulators included. **NP**: transparent extension for spacer **NS**.  
**SC1**: safety device anti-hooking for expansion bracket **CE**.

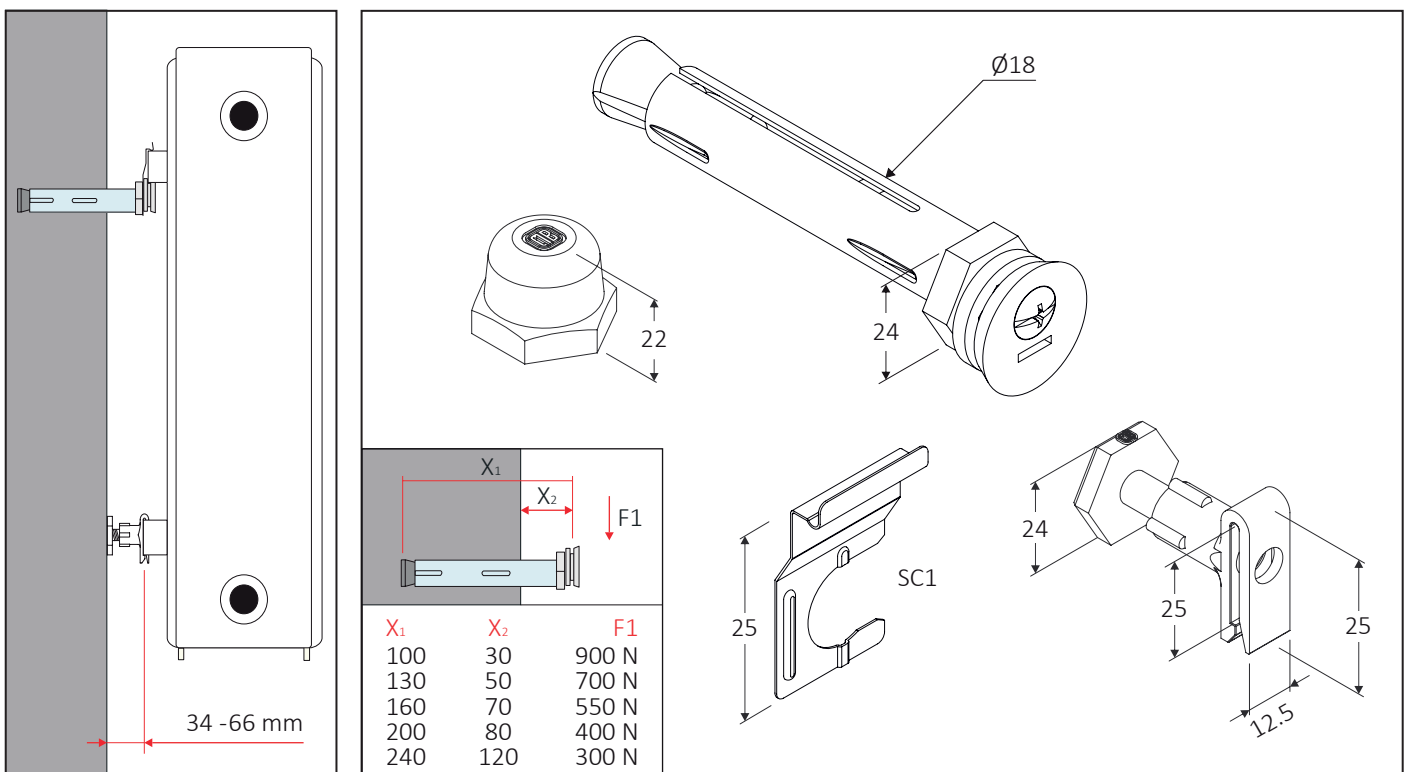


60592100	2x CE 100 + 2x NS	50	2500
60592130	2x CE 130 + 2x NS	50	2500
60592160	2x CE 160 + 2x NS	50	2000
60592200	2x CE 200 + 2x NS	50	1600
60592240	2x CE 240 + 2x NS	50	1600
6550001	SC1	100	2000
60020239	NP	100	5500



Distance CE

Measures are expressed in millimeters

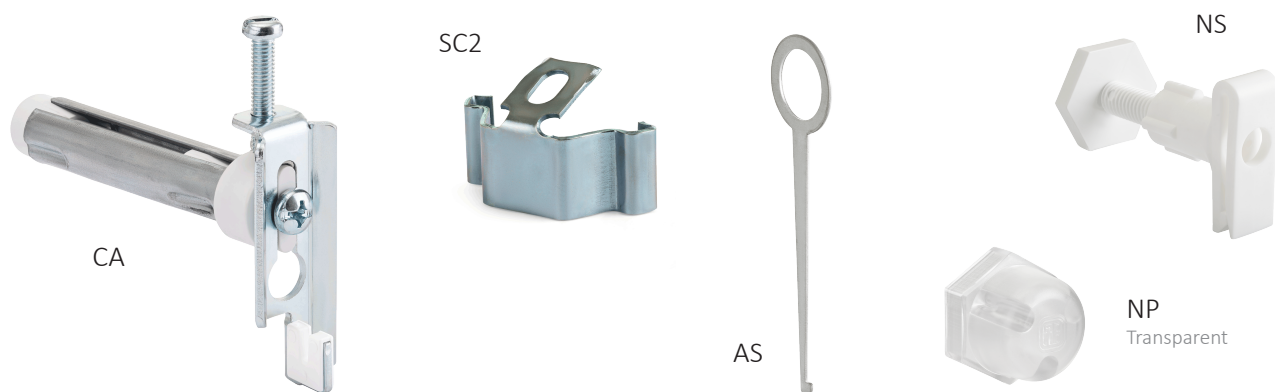


## EXPANSION BRACKETS

Kit of two expansion brackets for horizontal and vertical steel panel radiators with handles and spacers **NS**. Adjustment for distance from wall (34-66 mm). Plastic insulators included. **SC2**: safety device anti-hooking for expansion bracket **CA**. **AS**: key for safety device anti-hooking **SC2**.

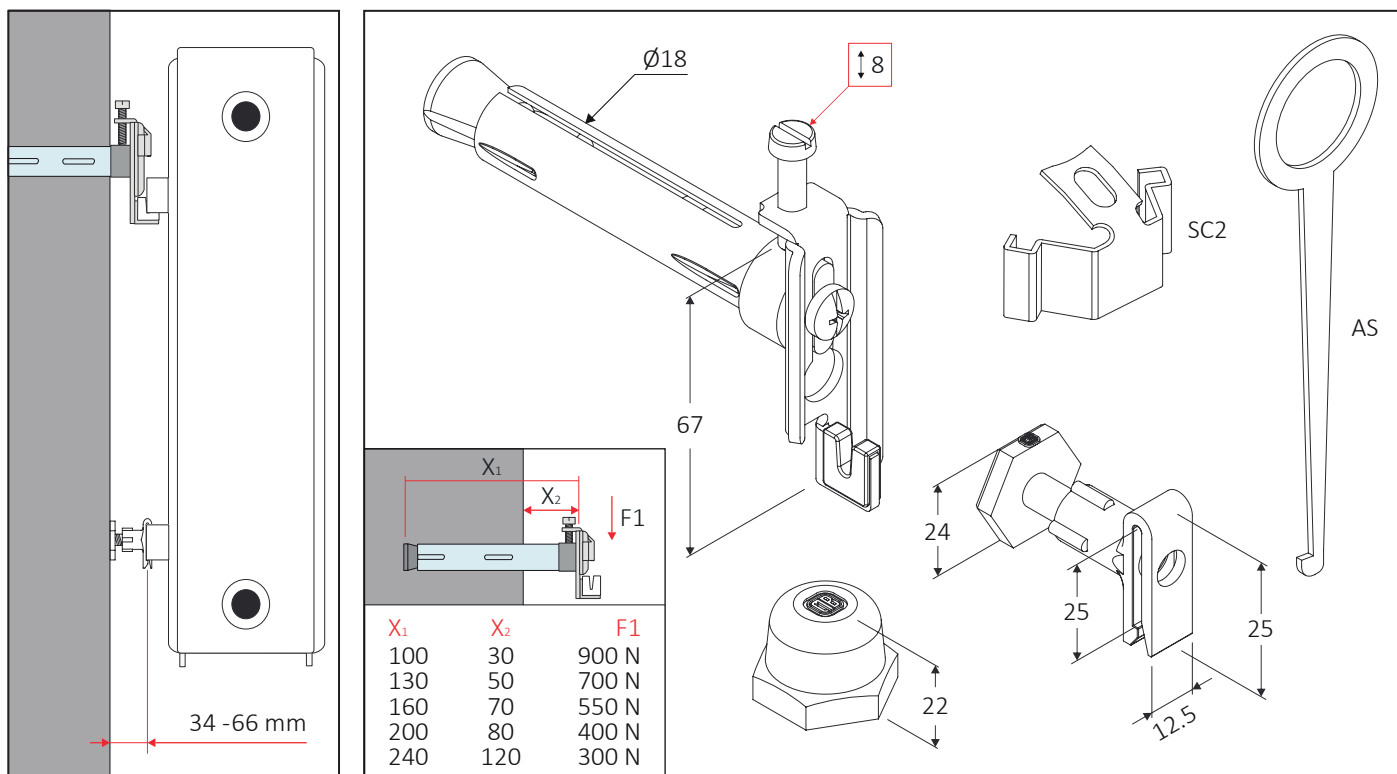


60594100	2x CA 100 + 2x NS	50	2500
60594130	2x CA 130 + 2x NS	50	2500
60594160	2x CA 160 + 2x NS	50	2000
60594200	2x CA 200 + 2x NS	50	1600
60594240	2x CA 240 + 2x NS	50	1600
60550002	100x SC2 + 4x AS	1	2000
60020239	NP	100	5500



Distance CA

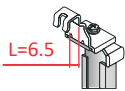
Measures are expressed in millimeters





## EXPANSION BRACKETS

Kit of two expansion brackets for horizontal and vertical steel panel radiators without handles. Plastic insulators included. Complies with VDI 6036.



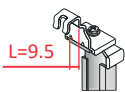
**CV6:** BUDERUS, DL RADIATORS, RADSON



69586100	2x CE 100 + 2x CV6 100		<b>AK3</b>	50	800
60586130	2x CE 130 + 2x CV6 130		<b>AK3</b>	50	800
60586160	2x CE 160 + 2x CV6 160		<b>AK3</b>	50	800
60586200	2x CE 200 + 2x CV6 200		<b>AK3</b>	50	800
60586240	2x CE 240 + 2x CV6 240		<b>AK3</b>	50	800



CV



**CV10:** HENRAD, KERMI, PURMO

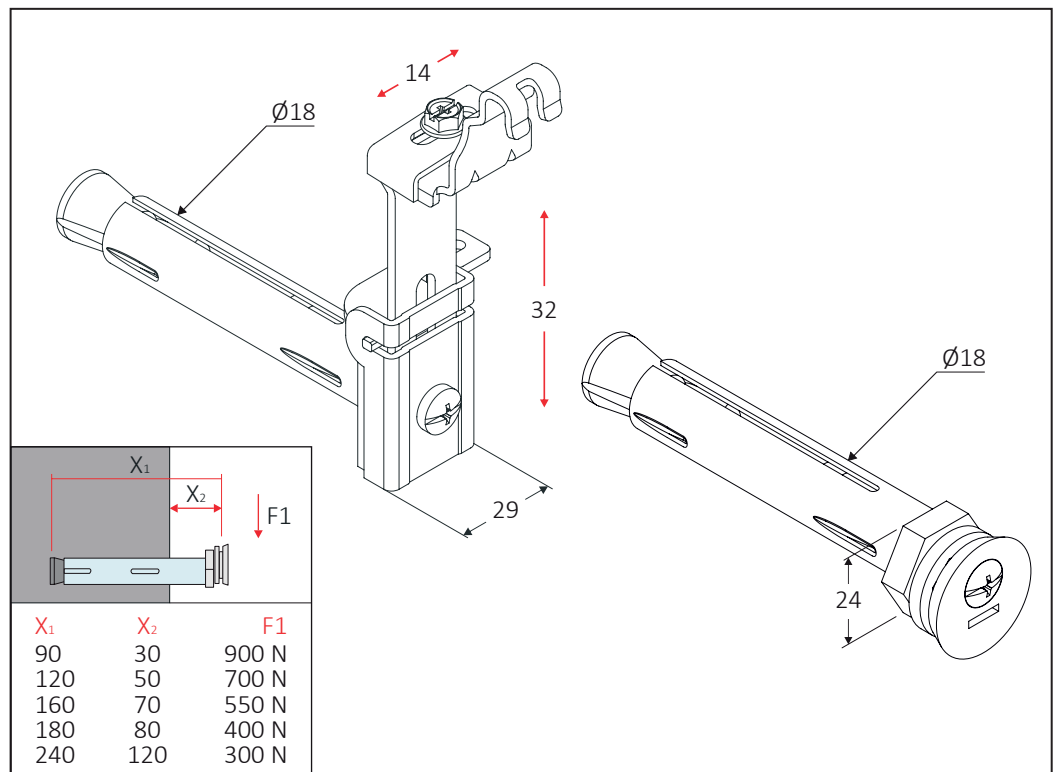
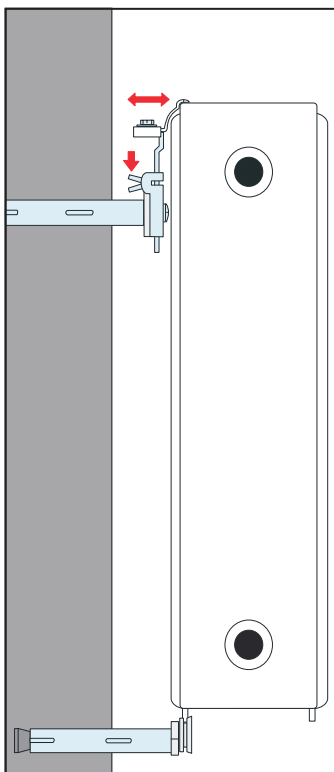
60587100	2x CE 100 + 2x CV10 100		<b>AK3</b>	50	800
60587130	2x CE 130 + 2x CV10 130		<b>AK3</b>	50	800
60587160	2x CE 160 + 2x CV10 160		<b>AK3</b>	50	800
60587200	2x CE 200 + 2x CV10 200		<b>AK3</b>	50	1250
60587240	2x CE 240 + 2x CV10 240		<b>AK3</b>	50	1000



CE

Regulation bracket CV

Measures are expressed in millimeters

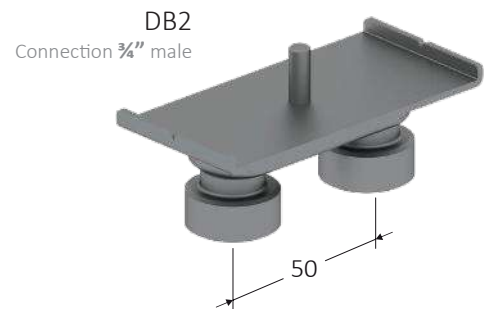
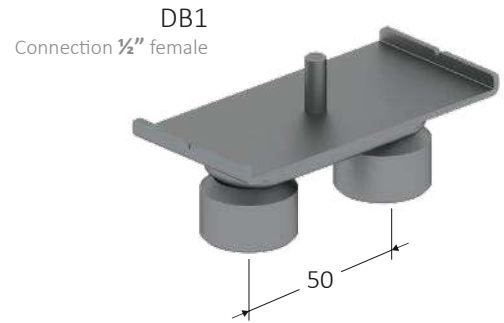
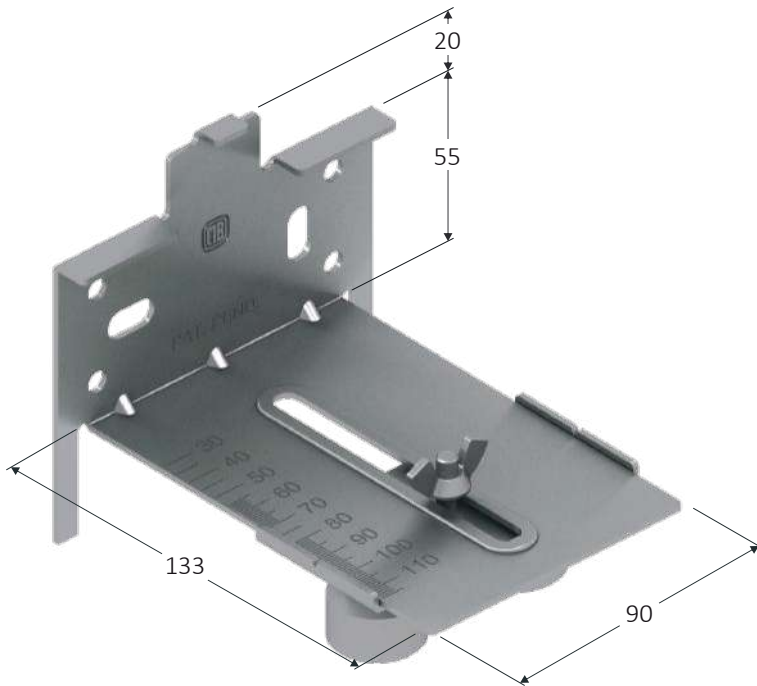


## ACCESSORIES

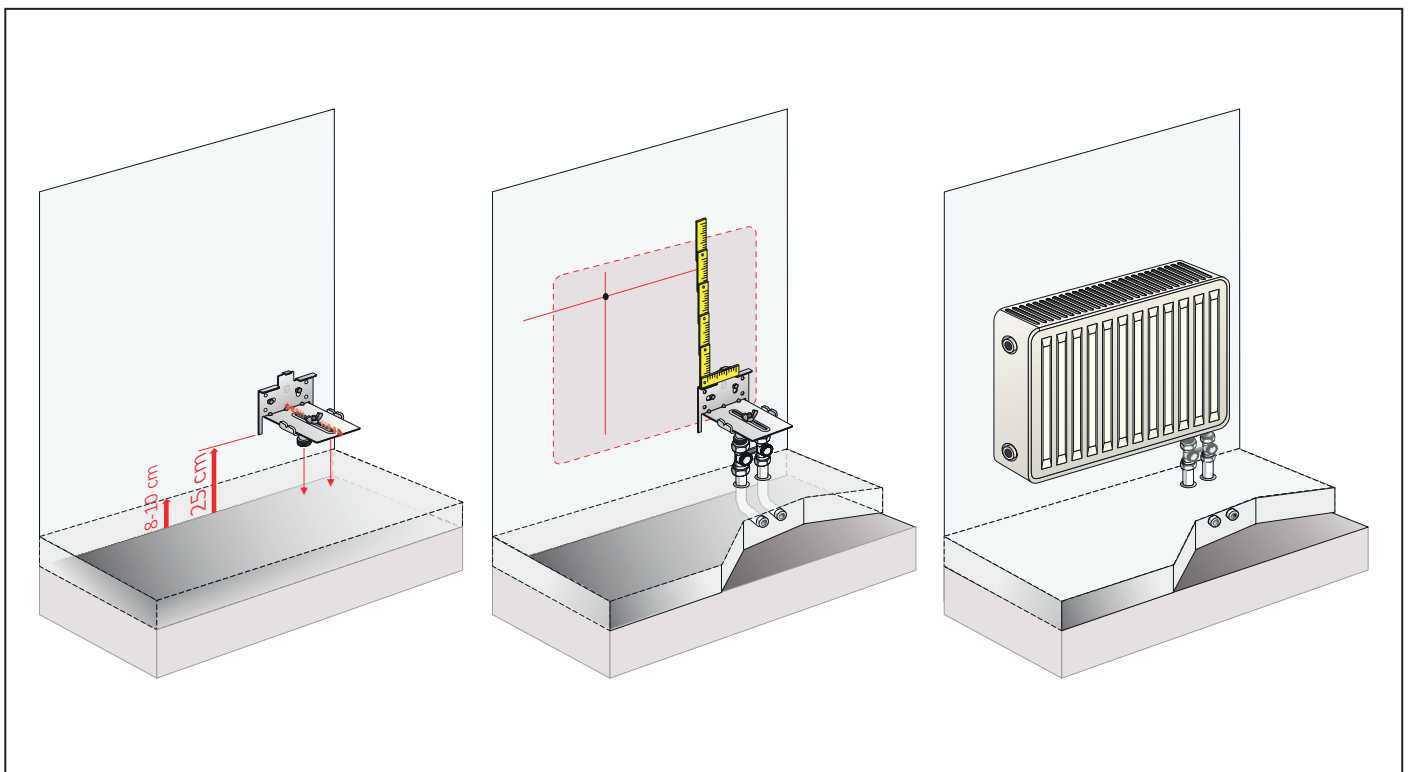
Template with bypass for testing heating systems. **DB1**: connection  $\frac{1}{2}$ " female.  
**DB2**: connection  $\frac{3}{4}$ " male.



60910001	DB1 $\frac{1}{2}$ " BYPASS	6	696
60910002	DB2 $\frac{3}{4}$ " BYPASS	6	696



Template installation with **BYPASS** of  $\frac{1}{2}$ " or  $\frac{3}{4}$ " - sealing **10 BAR**



## ACCESSORIES

Kit of two ledge holders **QX3** for double or triple steel panel radiators.



60751010	2x QX3	1	500
60751010T6	2x QX3/T6 V+N	1	500

### QX3

Support for top shelf



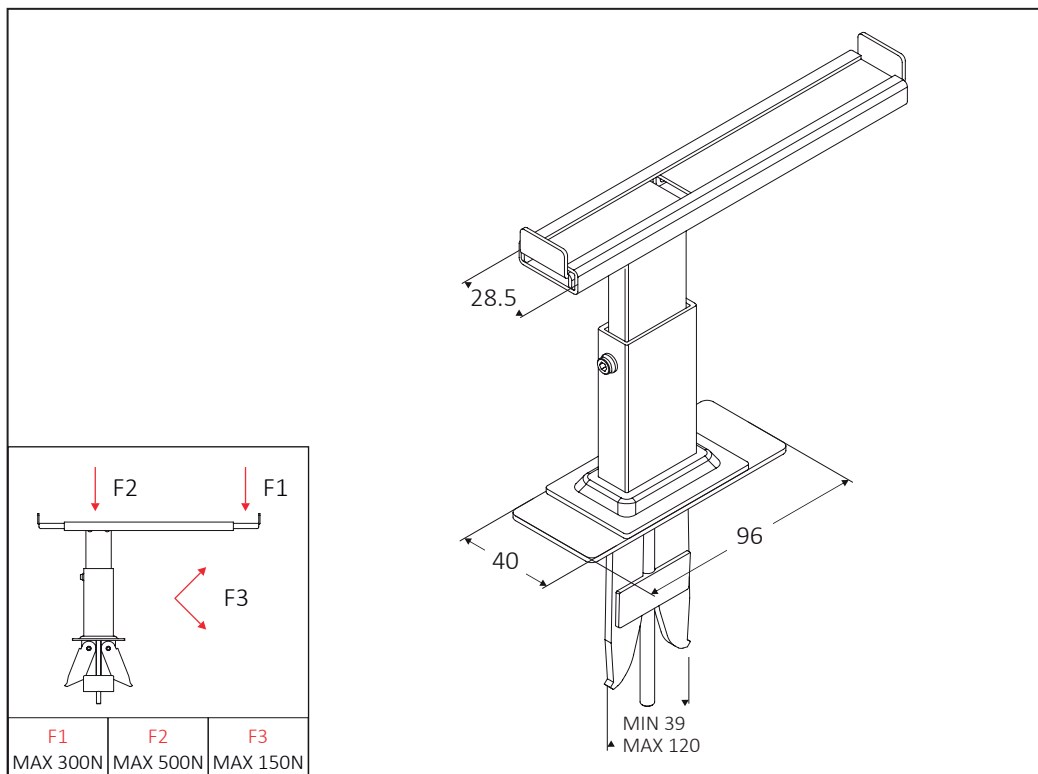
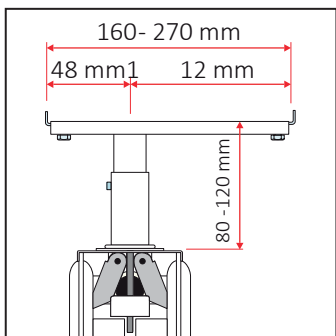
### QX3-T6

Support for top shelf

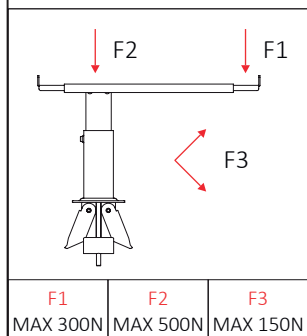
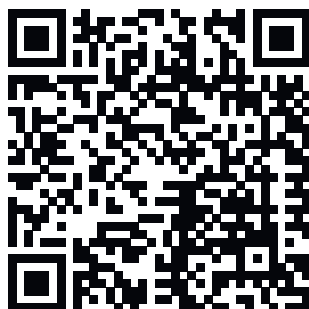


### Regulations

Measures are expressed in millimeters



Assembly instructions





WE THINK THAT EVERY PROBLEM CAN BE SOLVED WITH  
A TOUCH OF CREATIVITY

MB FIX SRL SB - VIA MADONNA NERA 2/B  
I - 31030 BORSO DEL GRAPPA (TV)

[marketing@mb-fix.it](mailto:marketing@mb-fix.it)

Ph. +39 0423 913800  
Fx. +39 0423 542188