



United Nations
Educational, Scientific and
Cultural Organization



World
Heritage
Convention



Fastening systems for multicolumn radiators

Villa "La Rotonda" is a Renaissance villa just outside Vicenza in northern Italy designed by Italian Renaissance architect Andrea Palladio. The villa's correct name is Villa Almerico Capra Valmarana.



FIX IT

BRACKETS READY FOR INSTALLATION

Two ready-to-install floor brackets for tubular radiators with manifold diameter from 45 mm to 60 mm, including base cover **QKP/QKF** and cover **QKG**, both in white ABS. **PGT 60**: configuration for finished floor.
PGT-1 60: configuration for raw floor.

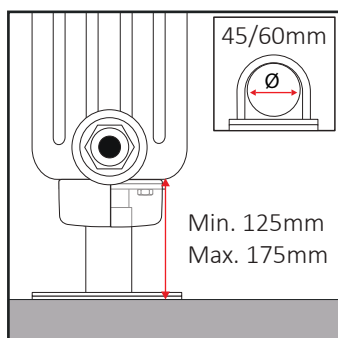


| | | | | |
|----------|----------------------|------------|---|-----|
| 60791560 | 2x PGT 60 + 2x QKP | AK3 | 1 | 300 |
| 60791561 | 2x PGT-1 60 + 2x QKF | AK3 | 1 | 150 |

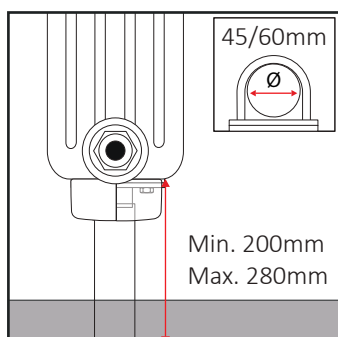


PGT 60 for finished floor

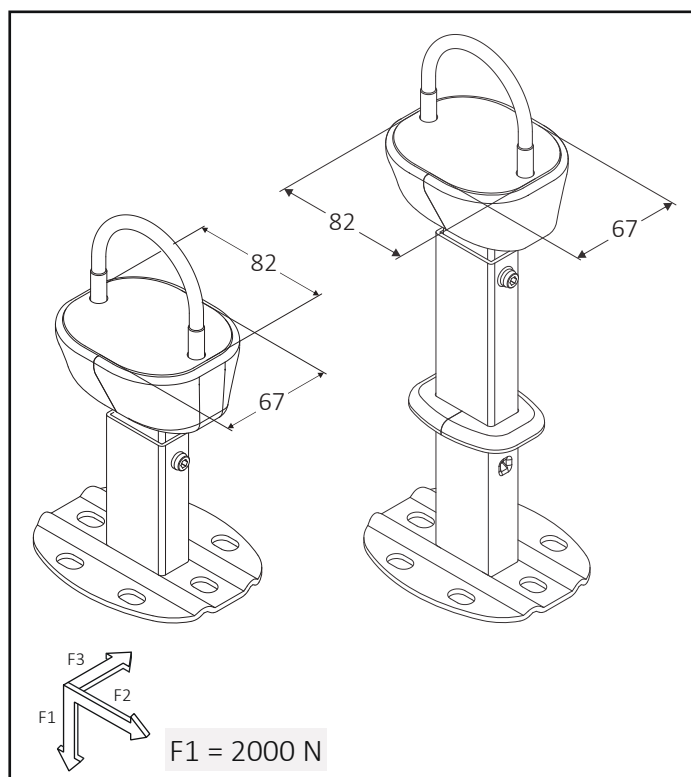
Measures are expressed in millimeters



PGT-1 60 for raw floor



Assembly instructions



COVERS AND EXTENSIONS

VL: 10 cm extension for all ready-to-install floor brackets. **QKR**: tube-cover in white ABS, for all ready-to-install floor brackets, configuration for raw or finished floor. **QKP** and **QKF**: base-cover in white ABS, supplied with all ready-to-install floor brackets.



| | | | |
|----------|----------------|----|------|
| 60740004 | 1x VL (+ 10cm) | 50 | 1050 |
| 60705024 | 2x QKR | 25 | 2000 |
| 60705020 | 1x QKP | 20 | 3000 |
| 60705022 | 1x QKF | 20 | 4000 |



VL



QKR

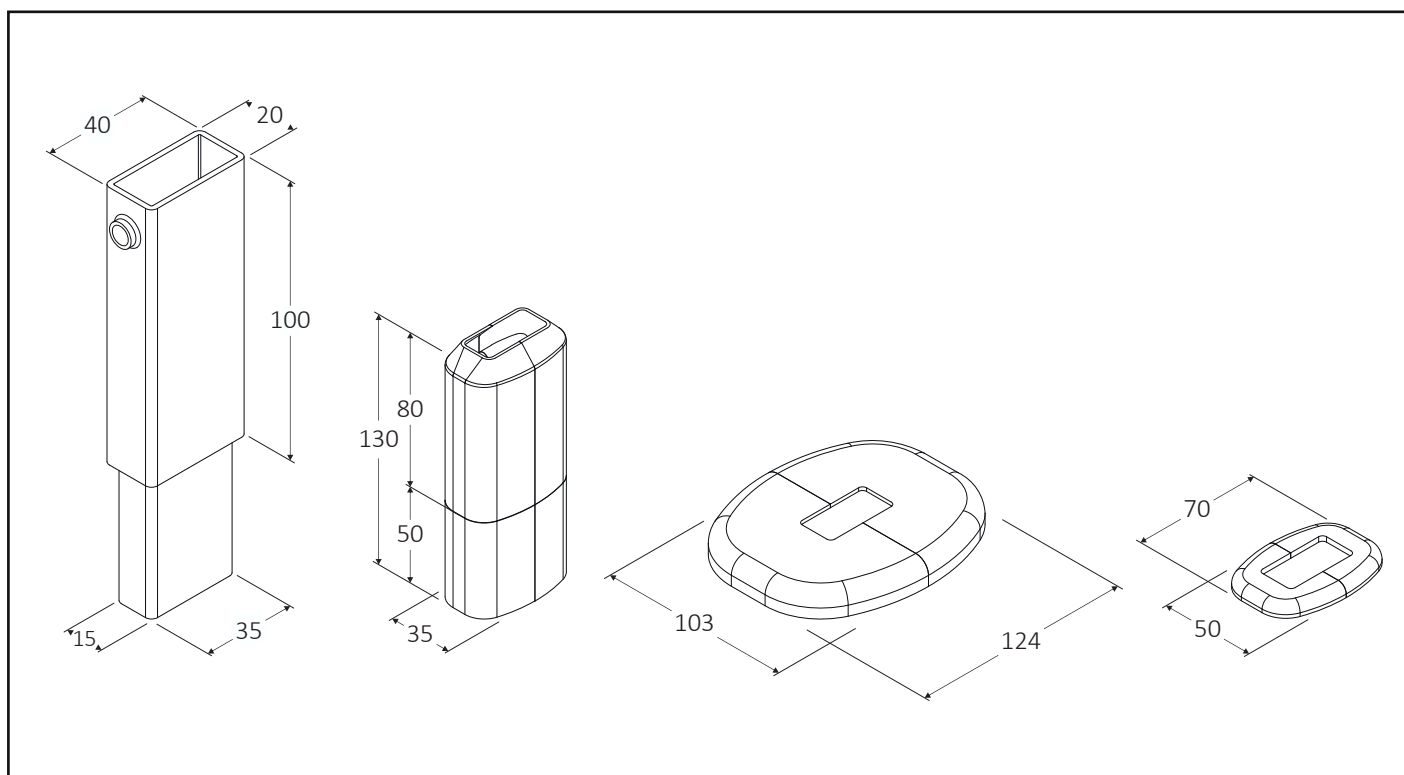


QKP



QKF

Measures are expressed in millimeters



BRACKETS READY FOR INSTALLATION

Two ready-to-install, self-supporting floor brackets for tubular radiators with 3 to 6 columns, including covers **QKE** in white ABS.

BEMM, IRSAP, RONDRA, ZEHNDER



| | | | | | | |
|----------|------------|--|------------|--|---|-----|
| 60770101 | 2x PGE 101 | | AK3 | | 1 | 250 |
| 60770139 | 2x PGE 139 | | AK3 | | 1 | 150 |
| 60770177 | 2x PGE 177 | | AK3 | | 1 | 150 |
| 60770215 | 2x PGE 215 | | AK3 | | 1 | 110 |

ARBONIA, CORDIVARI, DL RADIATORS, ERCOS, ZENITH

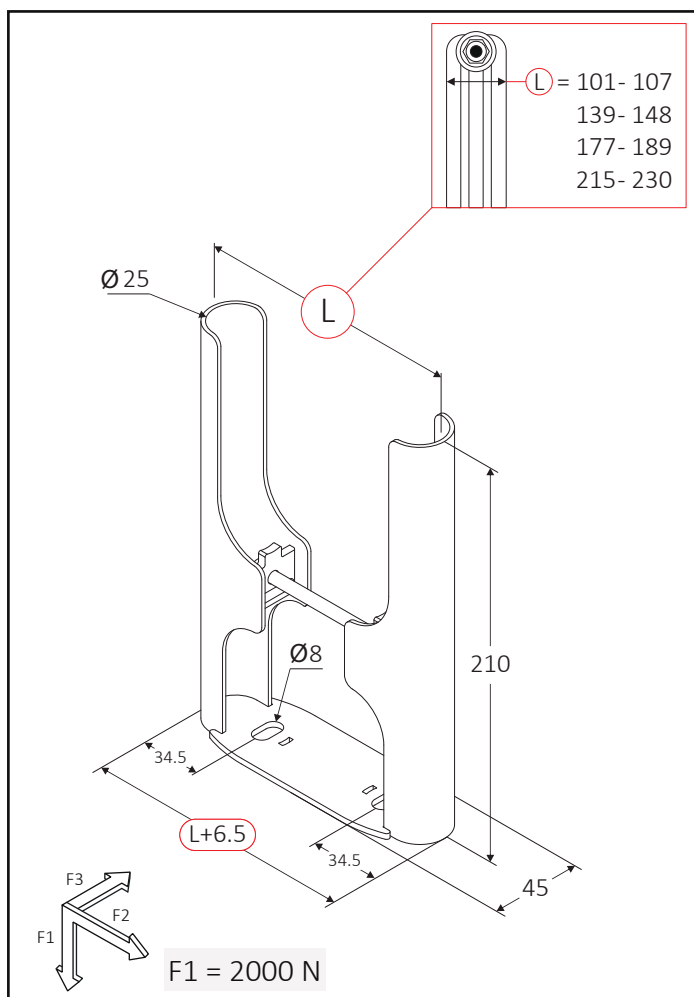


| | | | | | | |
|----------|------------|--|------------|--|---|-----|
| 60770107 | 2x PGE 107 | | AK3 | | 1 | 250 |
| 60770148 | 2x PGE 148 | | AK3 | | 1 | 150 |
| 60770189 | 2x PGE 189 | | AK3 | | 1 | 150 |
| 60770230 | 2x PGE 230 | | AK3 | | 1 | 110 |



QKE

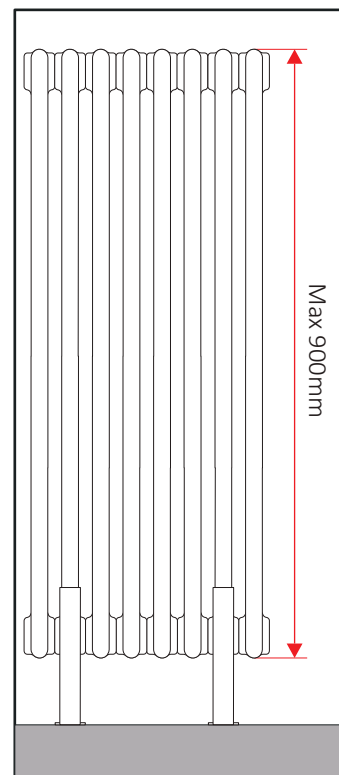
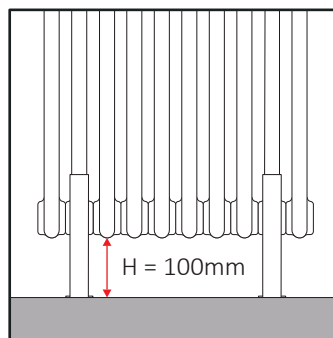
Measures are expressed in millimeters



| |
|-----------------|
| $L = 101 - 107$ |
| $139 - 148$ |
| $177 - 189$ |
| $215 - 230$ |

Height PGE

Maximum height



Assembly instructions



BRACKETS READY FOR INSTALLATION

Two ready-to-install and adjustable floor brackets for approaching tubular radiators with 2 columns, 3 or 4 columns and 5 or 6 columns, set including inserts and key, white version.



| | | | | |
|-----------|----------|--|----|------|
| 60771001 | 2x PGE-M | | 1 | 300 |
| 60771002 | 2x PGE-M | | 1 | 150 |
| 60771003 | 2x PGE-M | | 1 | 150 |
| 60400600T | 2x BG3 | | 50 | 2500 |



PGE-M
From 3 to 6 columns

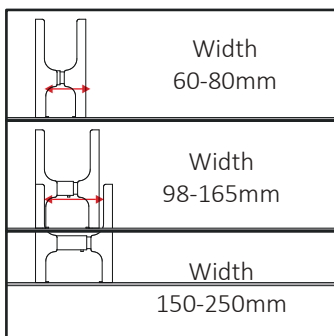


PGE-M
For 2 columns

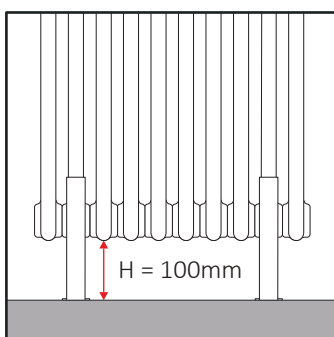


BG3

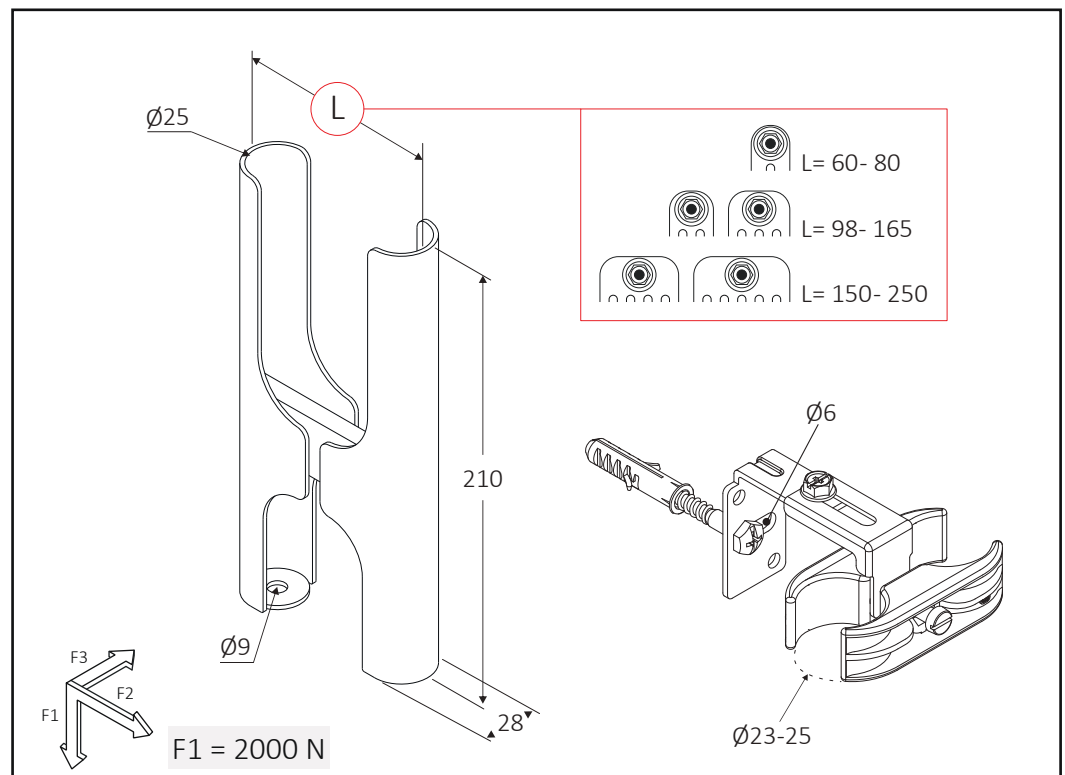
Widths PGE-M



Height PGE-M



Measures are expressed in millimeters



BRACKETS READY FOR INSTALLATION

Floor support bracket for tubular radiators, white version, including cover **QKF** in white ABS.



60400816D

1x STD FISTONE + 1x QKF

60

960



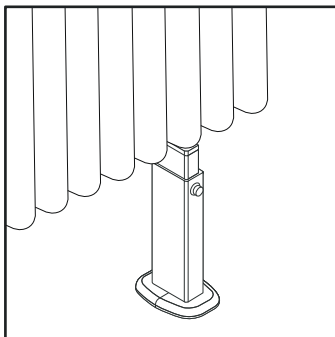
STD
Fistone



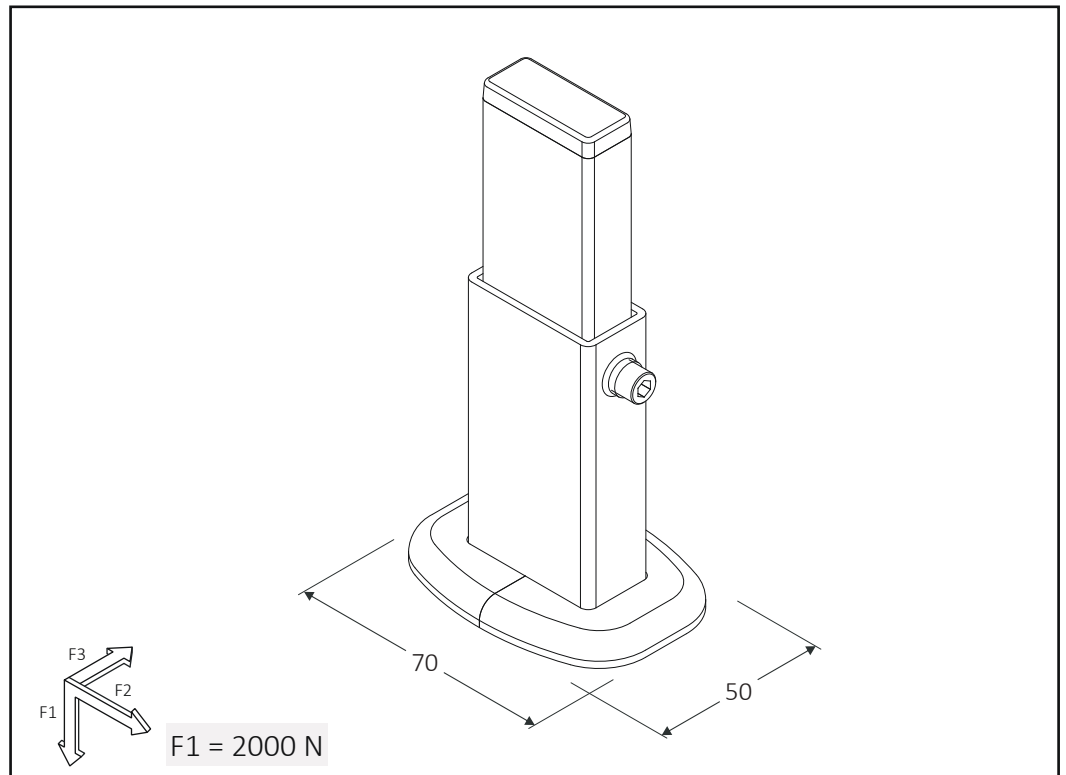
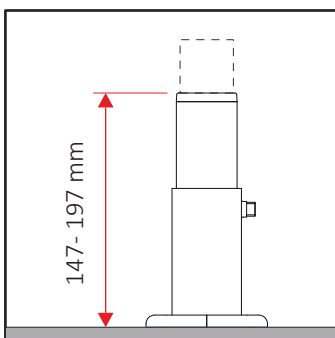
QKF

Support Fistone

Measures are expressed in millimeters



Regulation Fistone



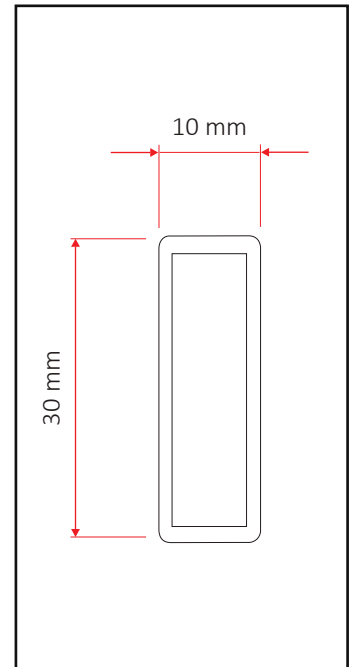
MODULAR BRACKETS

Rectangular section tube for floor bracket composition, for radiators with height from 300 to 1000 mm.

QT



| | | | |
|----------|------------|----|------|
| 60705046 | QT 460 mm | 25 | 1500 |
| 60705056 | QT 560 mm | 25 | 1500 |
| 60705066 | QT 660 mm | 25 | 1000 |
| 60705076 | QT 760 mm | 25 | 1000 |
| 60705086 | QT 860 mm | 25 | 1000 |
| 60705096 | QT 960 mm | 25 | 1000 |
| 60705106 | QT 1060 mm | 25 | 1000 |
| 60705116 | QT 1160 mm | 25 | 1000 |



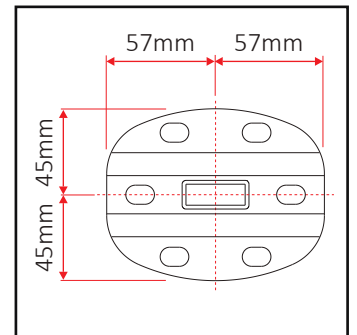
Base with central tube, for floor bracket composition, with rectangular tube model **QT**.

QB



QK

| | | | |
|----------|----|----|------|
| 60705000 | QB | 50 | 2500 |
| 60705012 | QK | 20 | 3000 |



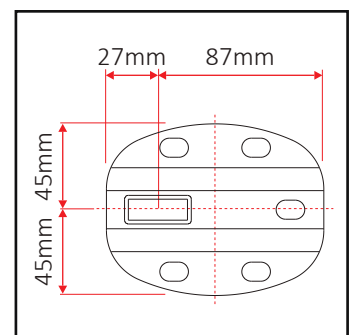
Base with decentralized tube, for floor bracket composition, with rectangular tube model **QT**.

QBX



QKX

| | | | |
|----------|-----|----|------|
| 60705005 | QBX | 50 | 2500 |
| 60705013 | QKX | 20 | 4000 |



MODULAR BRACKETS

Kit of 4 elements for floor bracket composition, with rectangular section tube model **QT**, composed of: lower hook with plastic insulator **QG1**, retainer for radiator **QG2**, insulator **Q10** for rectangular tube and upper cap **Q9**.

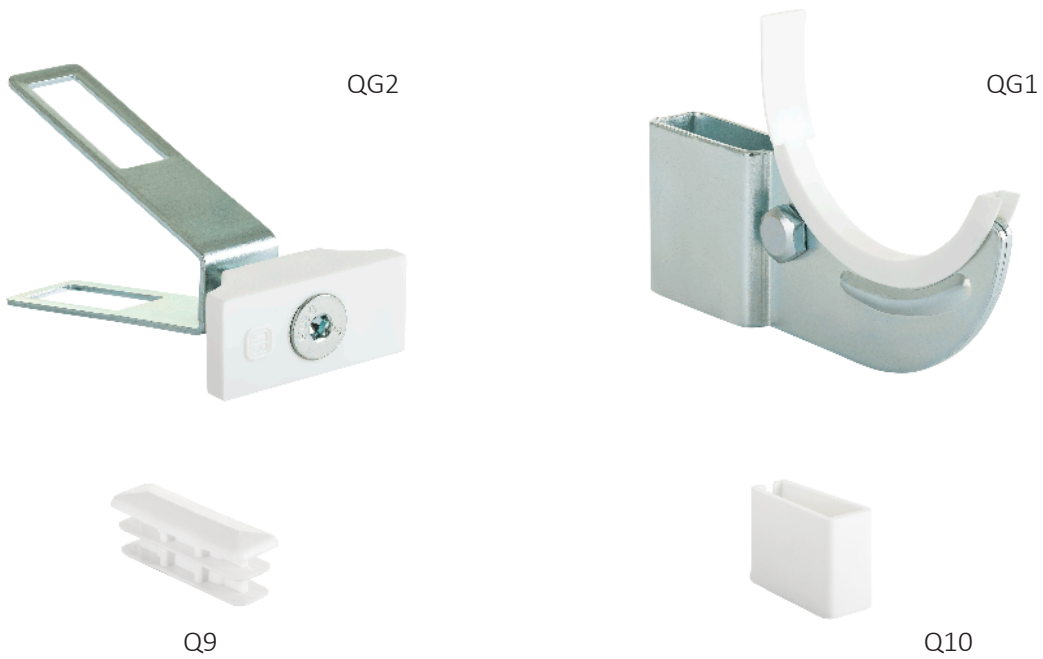


60705400

QGN: 1x QG1 + 1x QG2 + 1x Q10 + 1x Q9

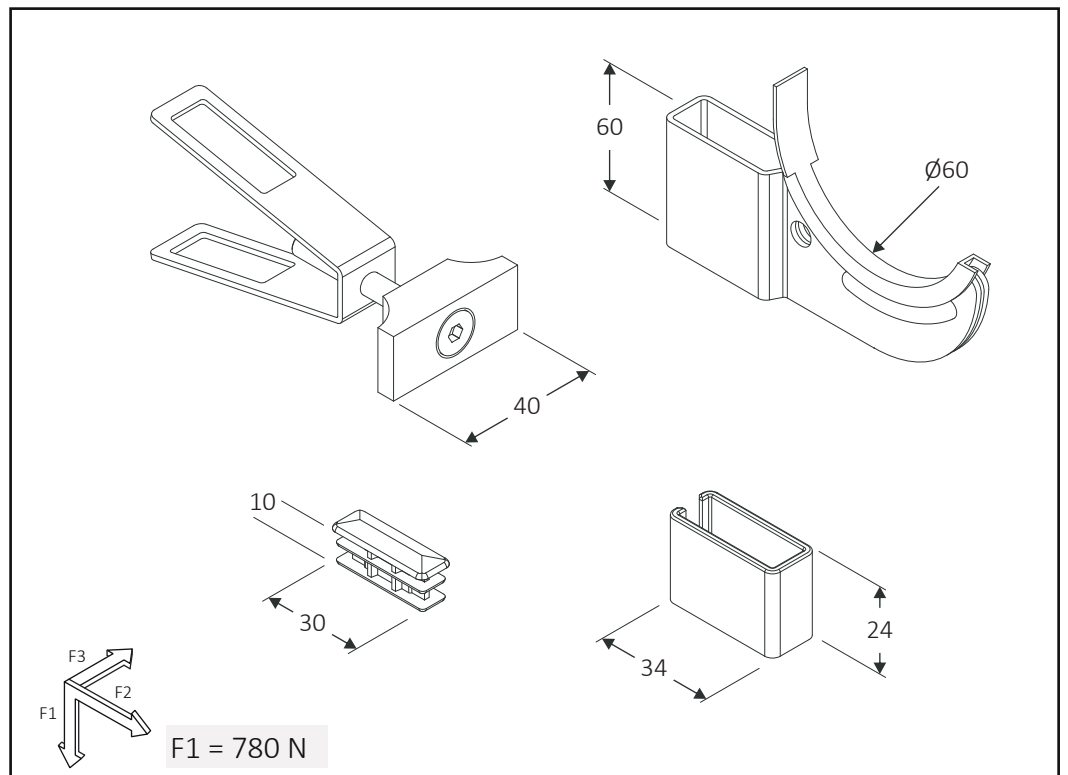
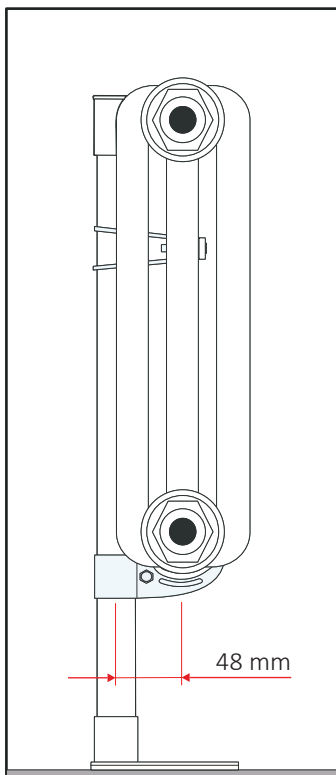
50

2750



Distance QGN

Measures are expressed in millimeters



CAST IRON BRACKETS

PGG: Cast iron foot to support multicolumn radiators, white color, single packaging in bubble wrap. **BG3:** Two wall brackets with two transparent clamps for fixing the radiator tubes. Adjustment for distance from wall (26-48 mm).



| | | | |
|-----------|--------|----|------|
| 60770010 | 1x PGG | 50 | 1000 |
| 60400600T | 2x BG3 | 50 | 2500 |

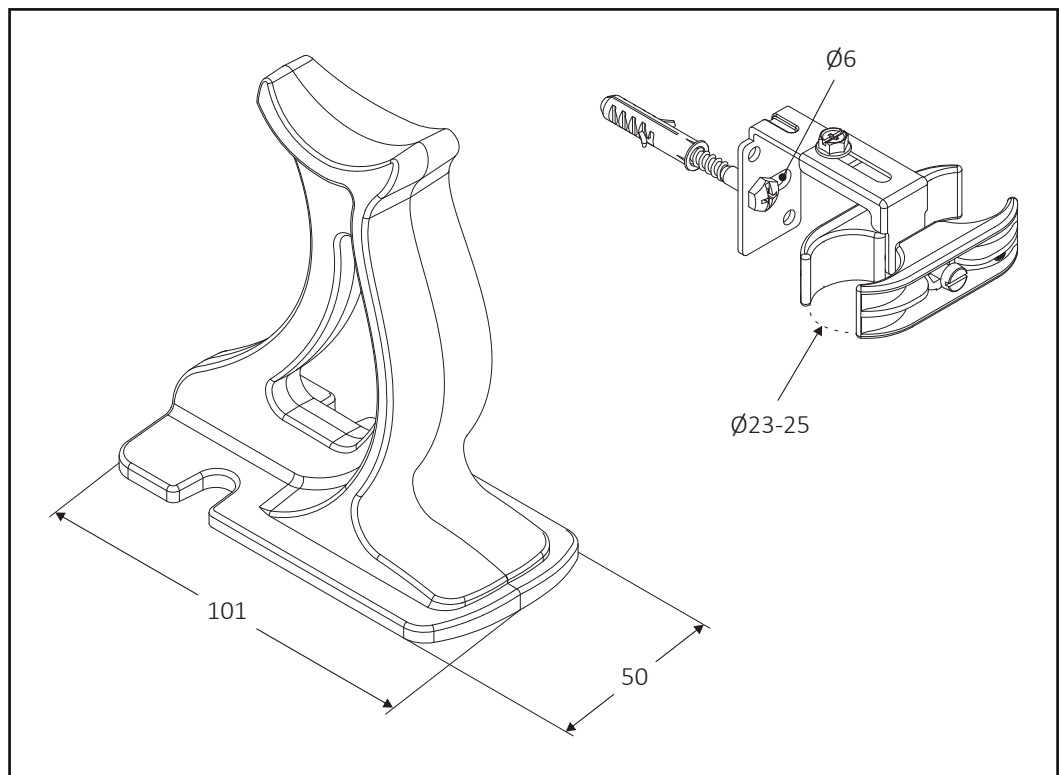
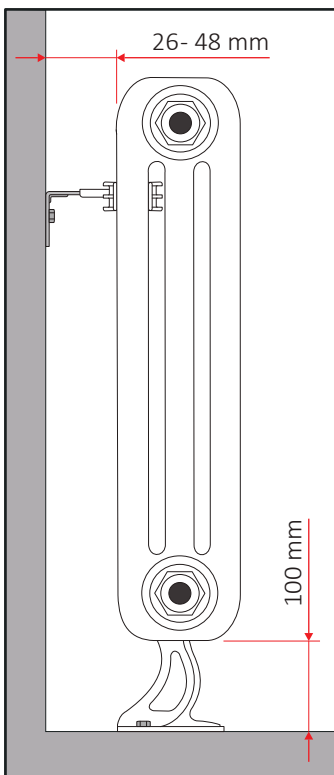


BG3

PGG

Distance BG3 and PGG

Measures are expressed in millimeters



WALL RAIL BRACKETS

Wall bracket for quick mounting, with two transparent clamps for fixing the radiator, suitable for the installation of radiators with height up to 1.000 mm. **GTXP**: Wall bracket with transparent clamp, suitable for the use with bracket **GTX**, for radiators with height over 1.000 mm.



| | | | | | |
|----------|------------|--|------------|----|------|
| 60640026 | 1x GTX 260 | | AK3 | 20 | 800 |
| 60640035 | 1x GTX 350 | | AK3 | 20 | 640 |
| 60640045 | 1x GTX 450 | | AK3 | 20 | 560 |
| 60640070 | 1x GTX 700 | | AK3 | 20 | 280 |
| 60640100 | 1x GTXP | | AK3 | 20 | 1100 |

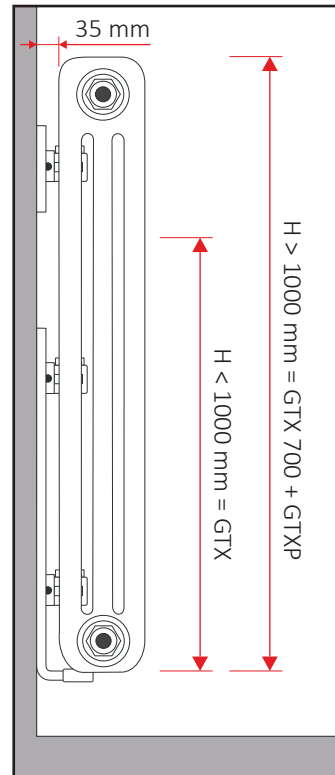
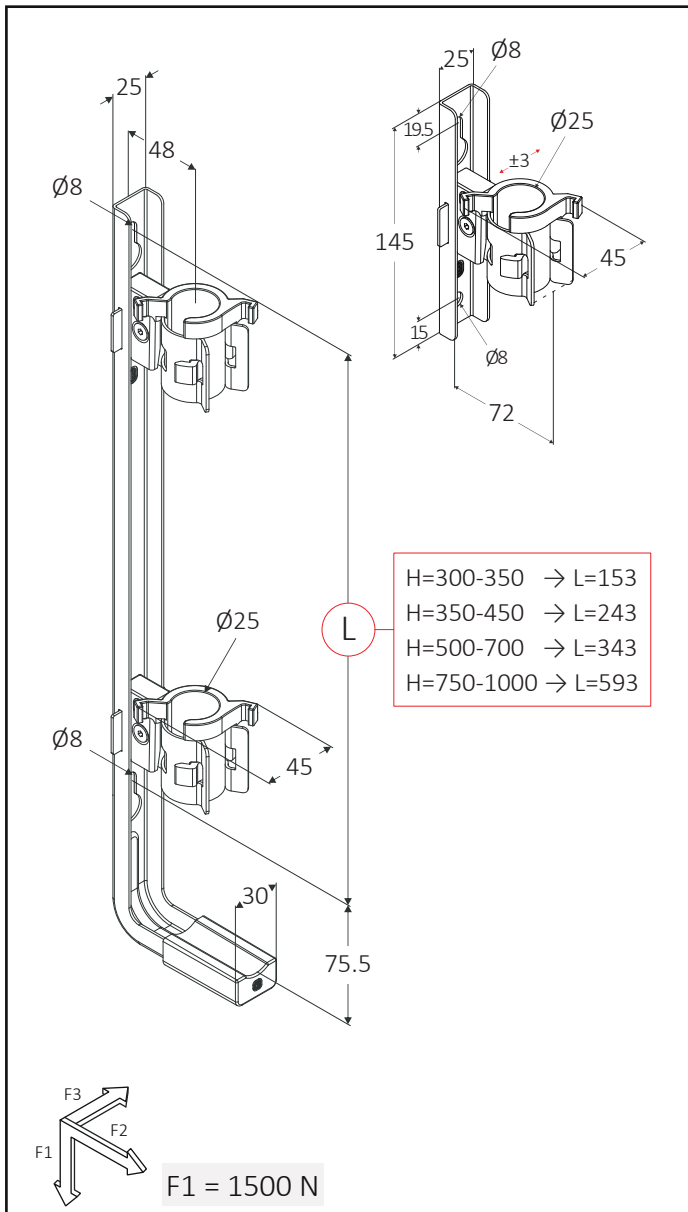
GTX

PATENTED



Measures are expressed in millimeters

Height GTX and GTXP



GTXP

PATENTED

Assembly instructions



WALL BRACKETS

Two wall brackets with anti-lift cover **QKS** and transparent spacer **N6**.



60201002

2x GBT + 2x QKS + 2x N6



AK3

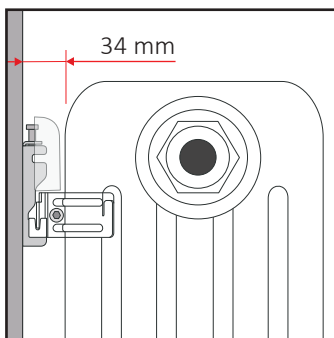
20

800

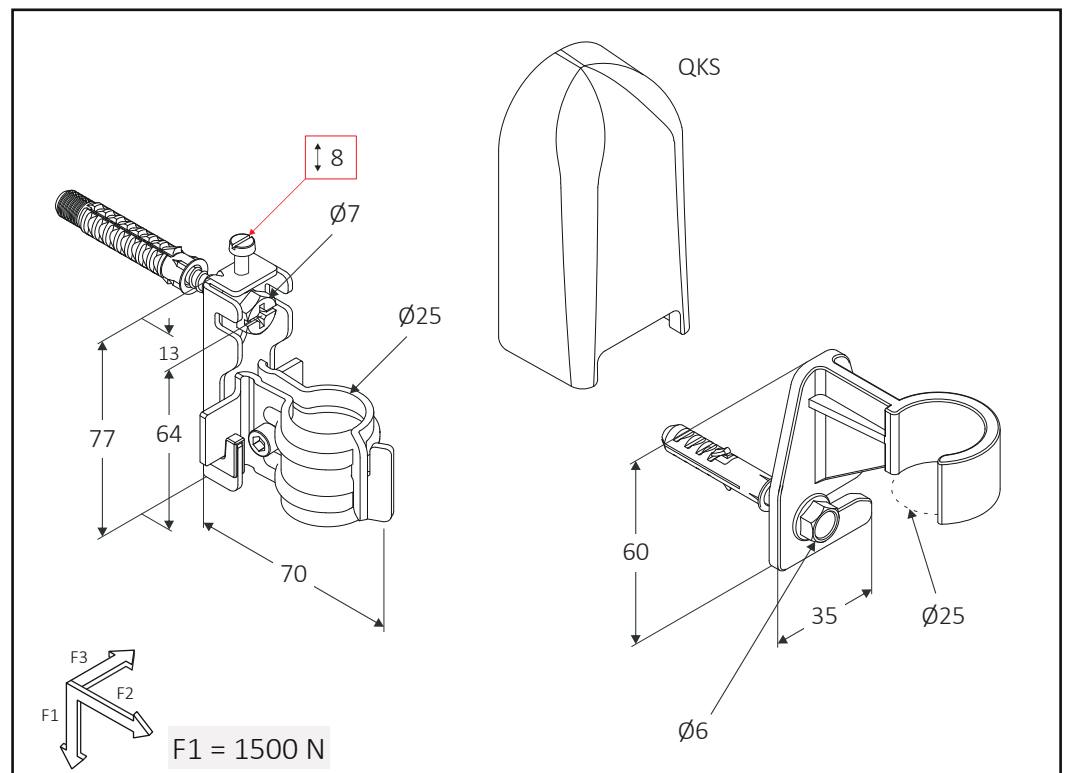


Distance GBT

Measures are expressed in millimeters



Assembly instructions



WALL BRACKETS

Two brackets for quick wall mounting with clamps **OT** and spacers **N5**, all in white color. Options for distance from wall (30-40 mm). Plastic insulators included.



60400740

2x D2 + 2x OT + 2x N5

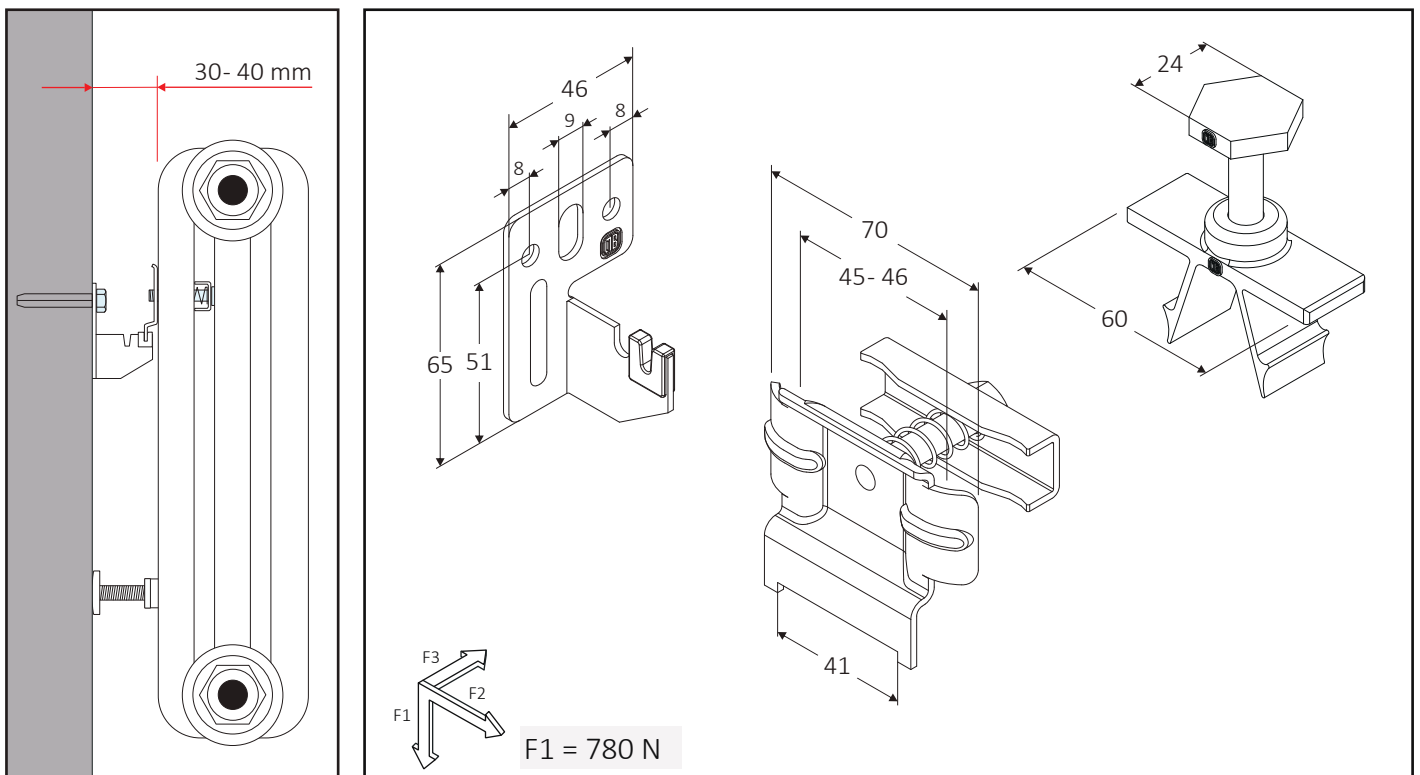
50

1200



Distance D2 OT N5

Measures are expressed in millimeters



WALL BRACKETS

Two brackets for quick wall mounting of tubular radiators in horizontal version, possibility of vertical adjustment and distance from wall, white version. **N5+NP**: spacers in transparent plastic. **SC3H**: anti-lift security. Galvanized version on request.

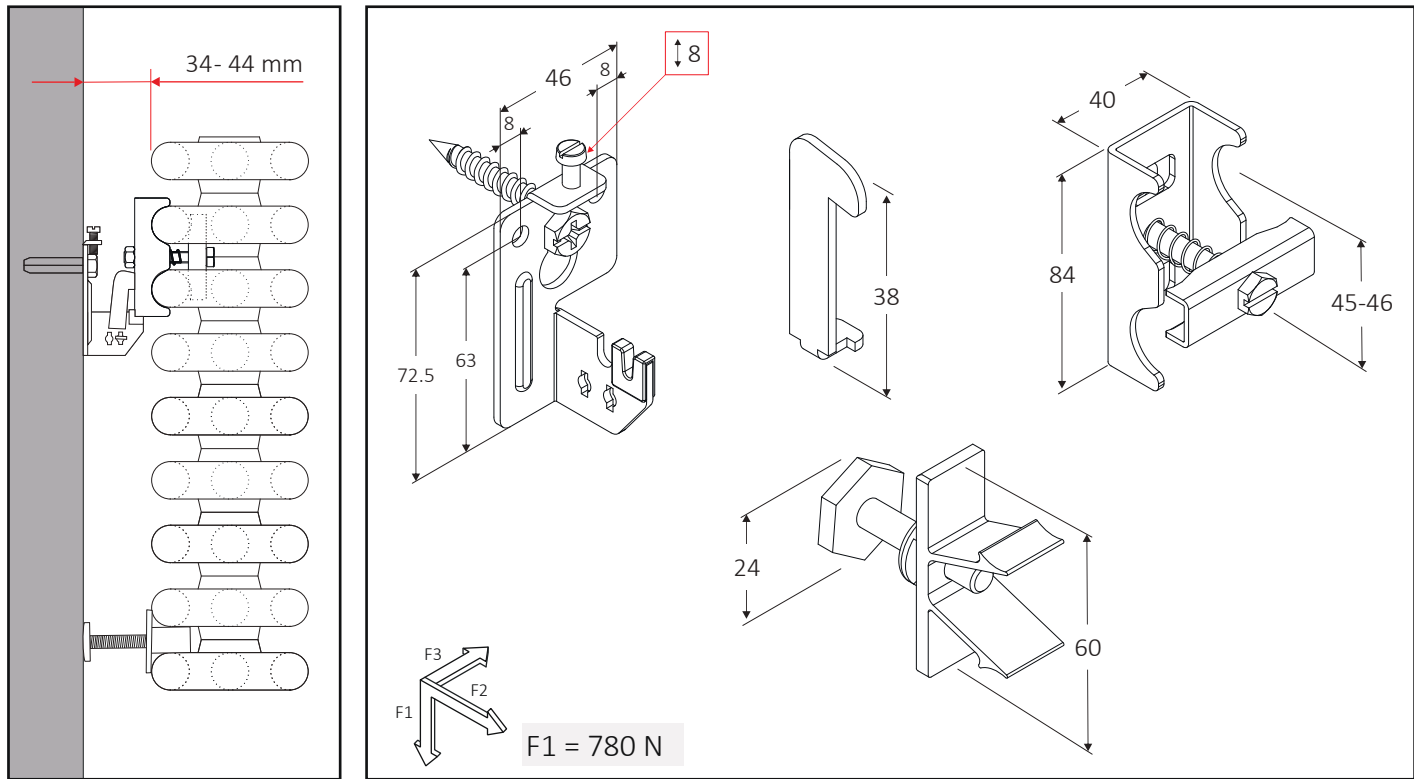


60400542 2x D3 + 2x OTH + 2x SC3H + 2x N5 + 2x NP 50 1600



Distance D3 OTH

Measures are expressed in millimeters



WALL BRACKETS

Two wall brackets with percussion $\varnothing 12\text{mm}$, for quick wall mounting of tubular radiators, manifold diameter from 45mm to 60mm, white version.



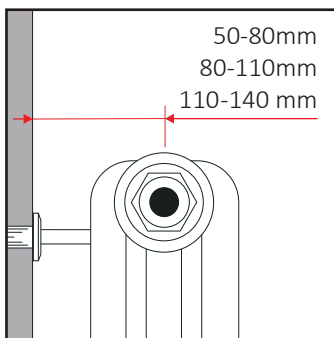
| | | | |
|----------|-----------------------|----|------|
| 60211650 | 2x R12V L = 50 - 80 | 50 | 2500 |
| 60211651 | 2x R12V L = 80 - 110 | 50 | 2000 |
| 60211652 | 2x R12V L = 110 - 140 | 50 | 1500 |



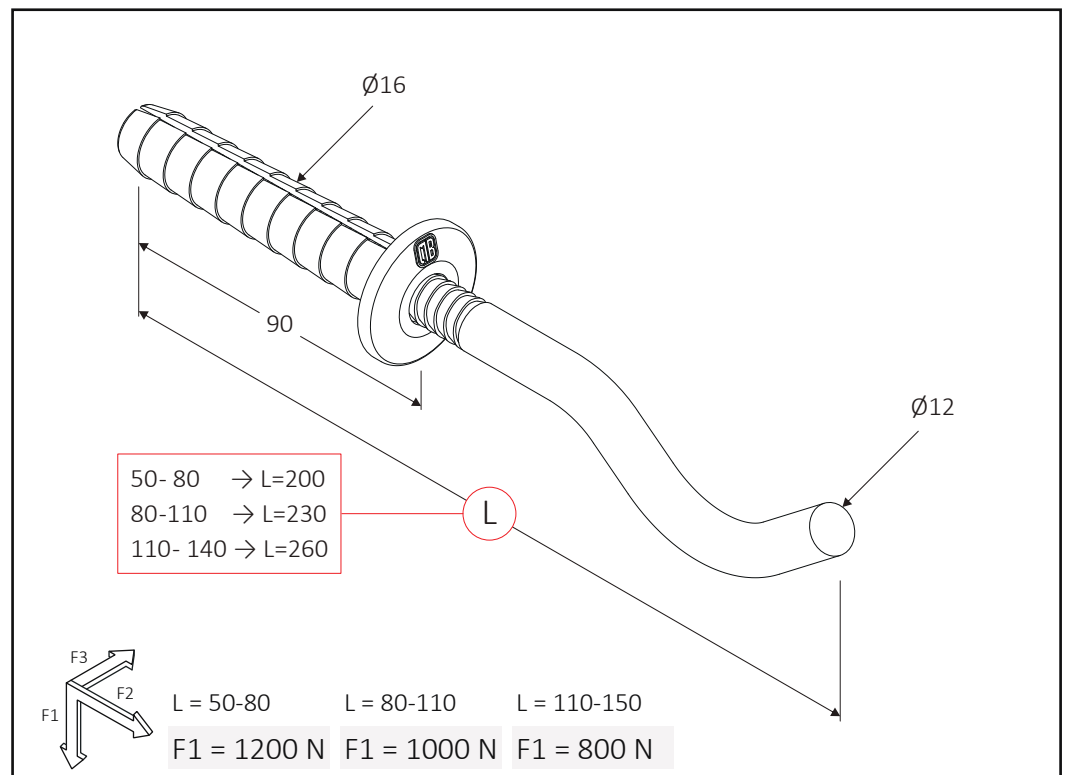
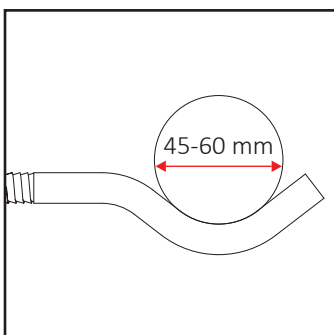
R12V

Distance R12V

Measures are expressed in millimeters



Manifold dimensions



WALL BRACKETS

Two wall brackets for quick wall mounting of tubular radiators, length 70mm or 105mm.



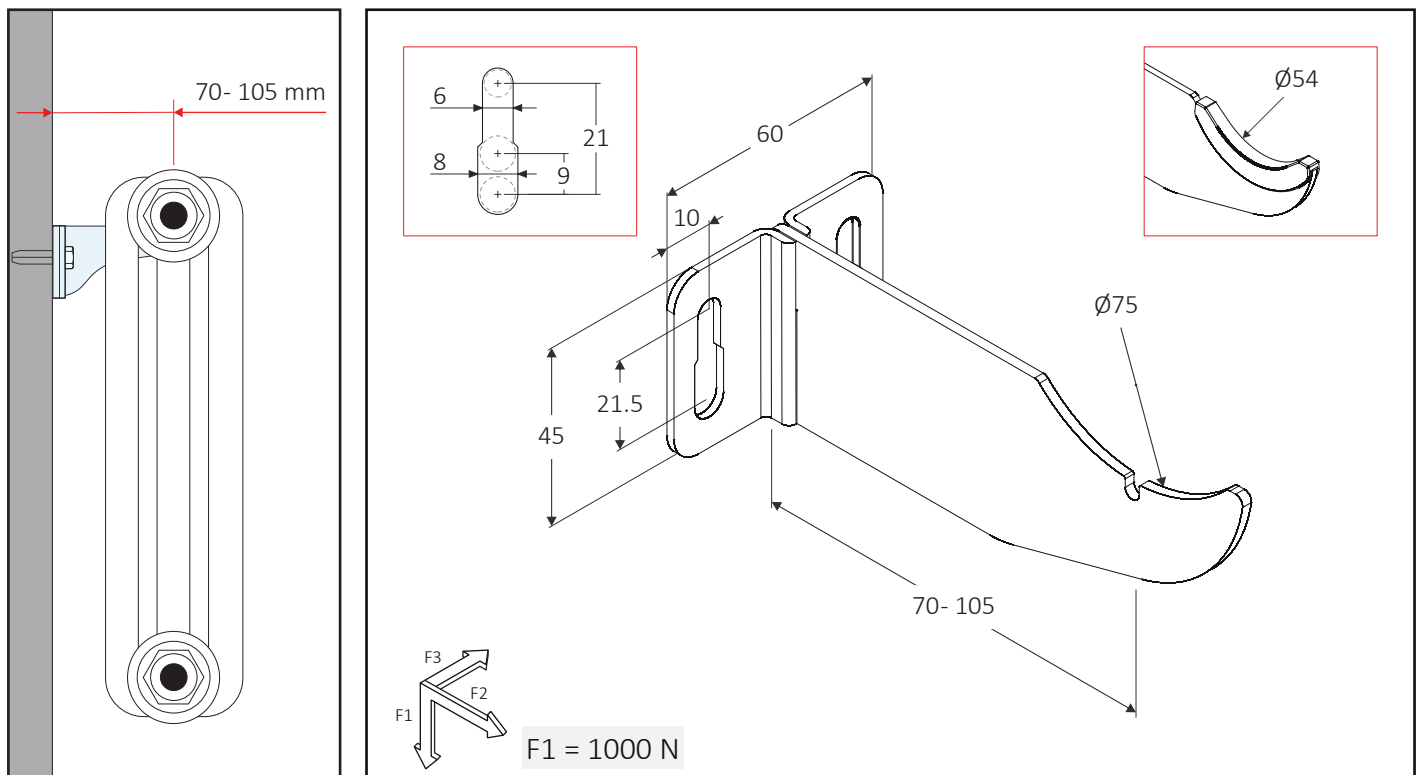
| | | | |
|----------|--------------|----|------|
| 60210173 | 2x T1G L=70 | 50 | 3300 |
| 60210174 | 2x T1G L=105 | 50 | 3300 |



T1G

Distance T1G

Measures are expressed in millimeters



WALL BRACKETS

Ready-to-install wall bracket for cast iron radiators, tubular radiators can also be installed by using the insulator provided.



60005191 2x M2

50

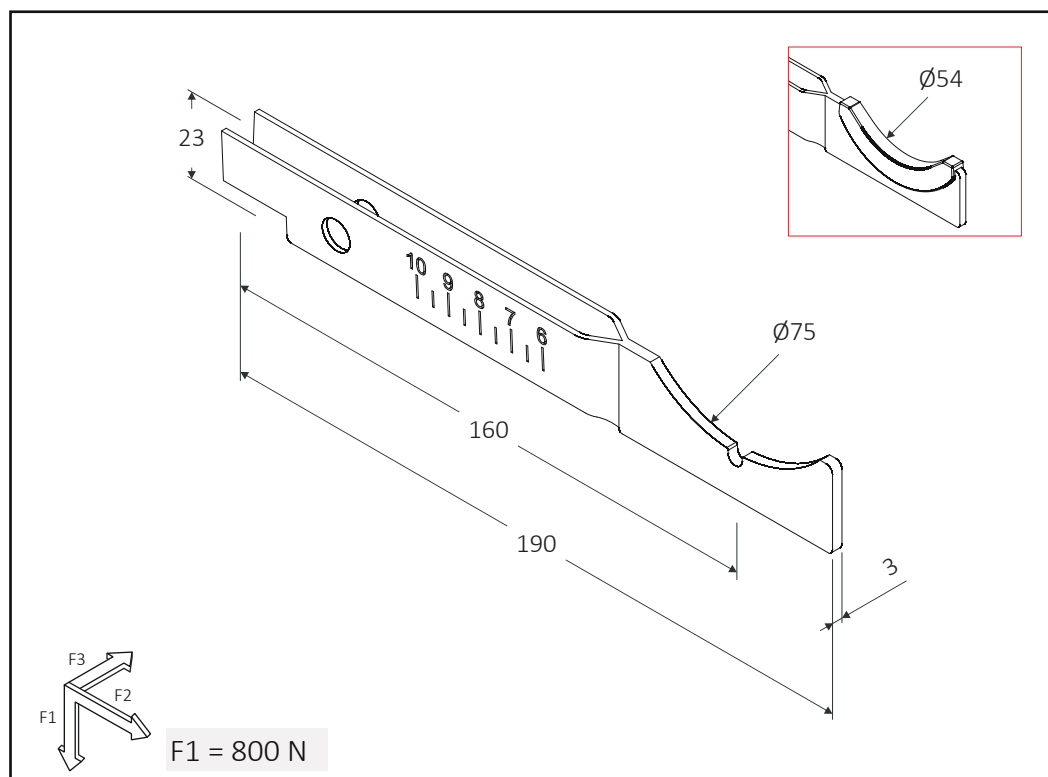
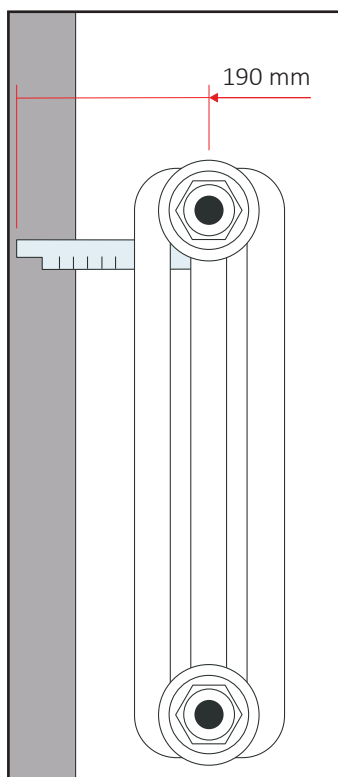
1600



M2










Distance M2

Measures are expressed in millimeters

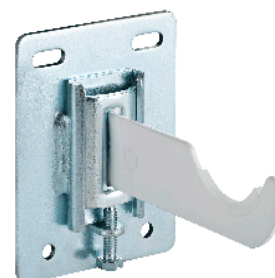


BRACKETS READY FOR INSTALLATION

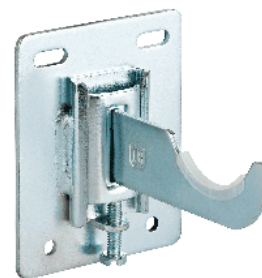
Two brackets for quick wall or plasterboard mounting, with cover **QKM7** in white color. Hook in white color or galvanized. Height regulation. Plastic insulators included.

| | | | | | |
|----------|---------------------|------------------------------------------------------------------------------------|------------------------------------------------------------------------------------|----|-----|
| 60210220 | 2x M7C L=53 + QKM7 |  |  | 18 | 576 |
| 60210222 | 2x M7C L=74 + QKM7 |  |  | 18 | 576 |
| 60210224 | 2x M7C L=94 + QKM7 |  |  | 18 | 576 |
| 60210226 | 2x M7C L=115 + QKM7 |  |  | 18 | 576 |
| 60210221 | 2x M7C L=53 + QKM7 |  |  | 18 | 576 |
| 60210223 | 2x M7C L=74 + QKM7 |  |  | 18 | 576 |
| 60210225 | 2x M7C L=94 + QKM7 |  |  | 18 | 576 |
| 60210227 | 2x M7C L=115 + QKM7 |  |  | 18 | 576 |

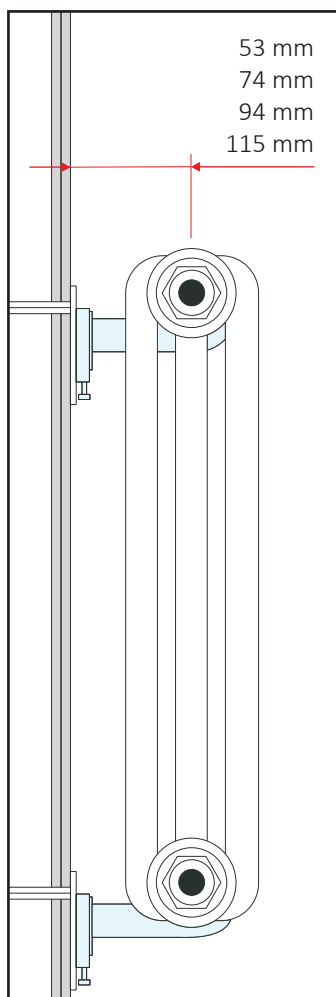
QKM7



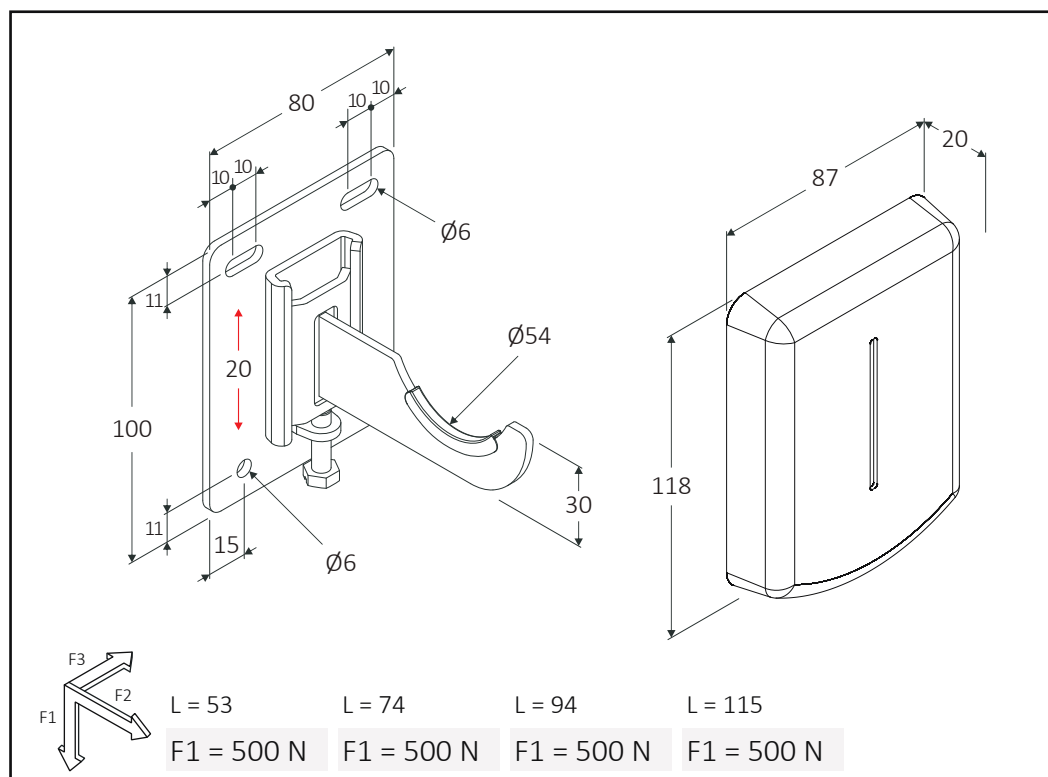
M7C



Distance M7C



Measures are expressed in millimeters



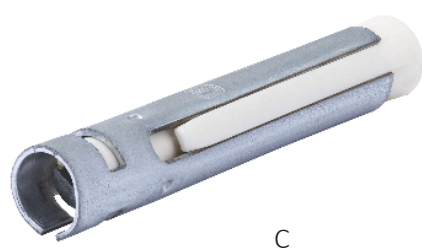
EXPANSION BRACKETS

Kit of two expansion brackets for tubular radiators and supports **CK**. Adjustment for distance from wall (12-45 mm).

OT: Clamp for fixing tubular radiators. **N5**: Transparent spacer for adjusting distance from wall.



| | | | |
|-----------|------------------|-----|------|
| 60511090 | 2x C 90 + 2x CK | 50 | 5500 |
| 60511120 | 2x C 120 + 2x CK | 50 | 2750 |
| 60511160 | 2x C 160 + 2x CK | 50 | 2500 |
| 60511180 | 2x C 180 + 2x CK | 50 | 2500 |
| 60511240 | 2x C 240 + 2x CK | 50 | 2000 |
| 60500742 | OT | 100 | 5500 |
| 60020251T | N5 | 100 | 5500 |



C



CK



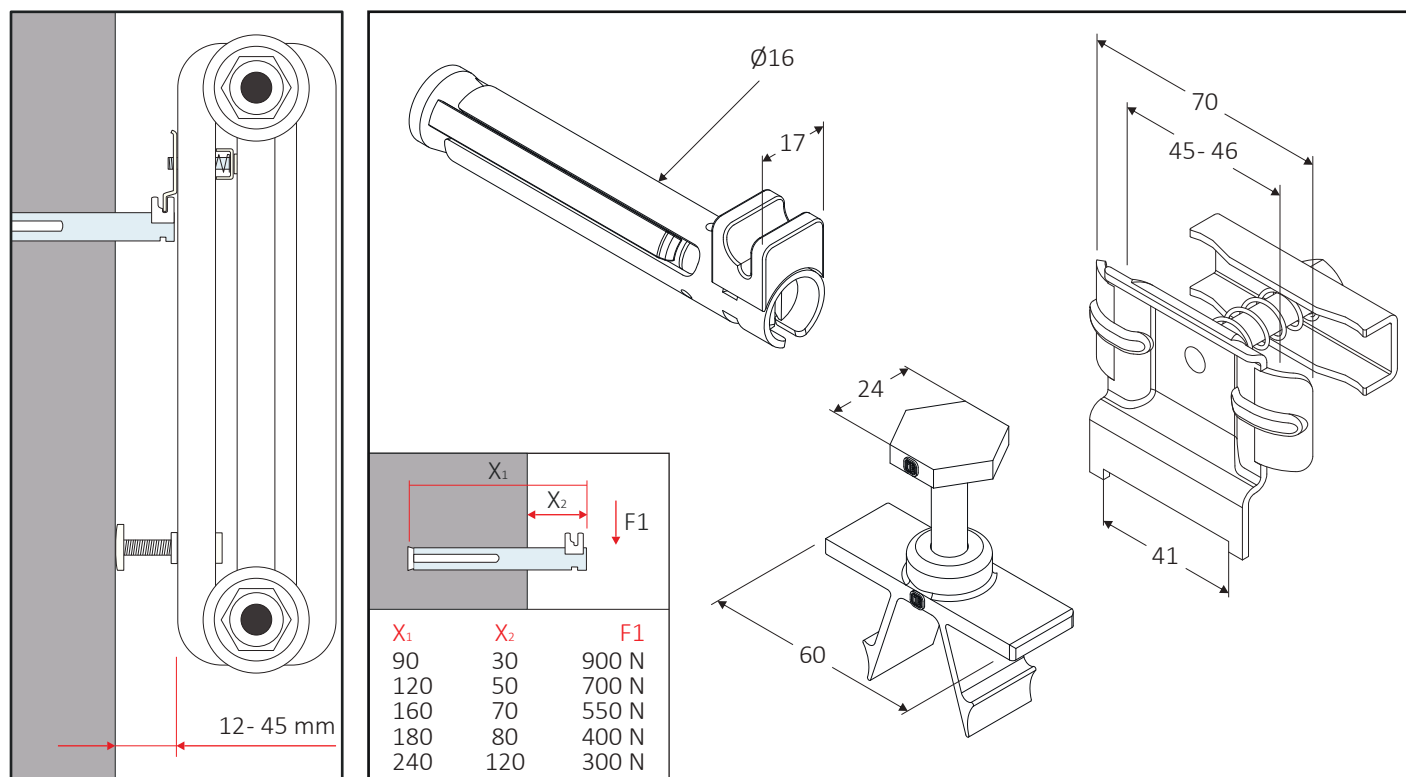
OT



N5
Transparent

Distance C CK

Measures are expressed in millimeters



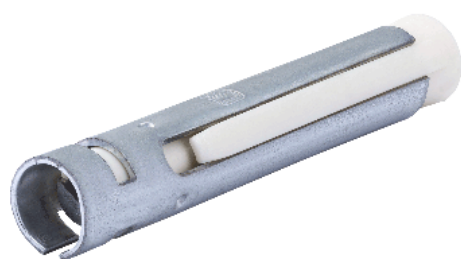
EXPANSION BRACKETS

Kit of two expansion brackets for cast iron radiators and supports **CK**. Adjustment for distance from wall (12-45 mm).

OG: Clamp for fixing cast iron radiators.



| | | | |
|----------|------------------|-----|------|
| 60511090 | 2x C 90 + 2x CK | 50 | 5500 |
| 60511120 | 2x C 120 + 2x CK | 50 | 2750 |
| 60511160 | 2x C 160 + 2x CK | 50 | 2500 |
| 60511180 | 2x C 180 + 2x CK | 50 | 2500 |
| 60511240 | 2x C 240 + 2x CK | 50 | 2000 |
| 60500760 | OG | 100 | 5500 |



CK

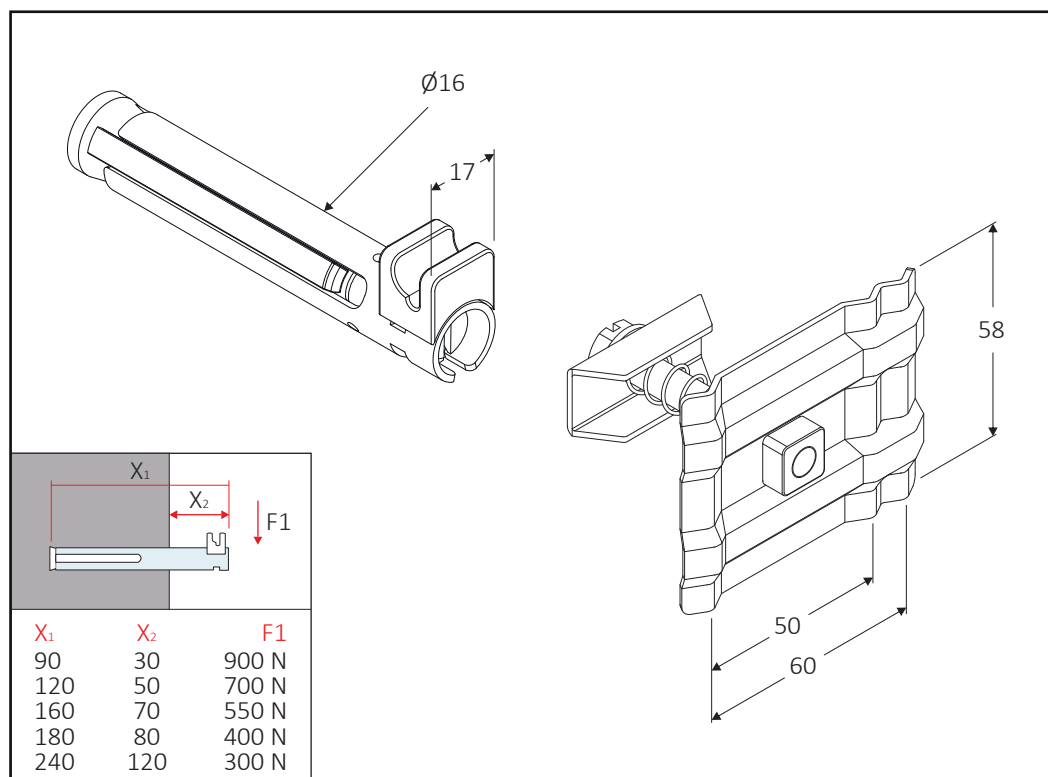
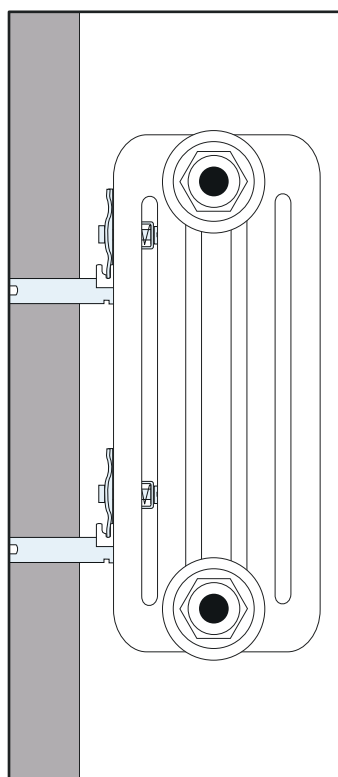


C

OG

Installation C CK OG

Measures are expressed in millimeters



ACCESSORIES

Kit of 2 ledge holders for tubular radiators.



60751040

2x QX4

1

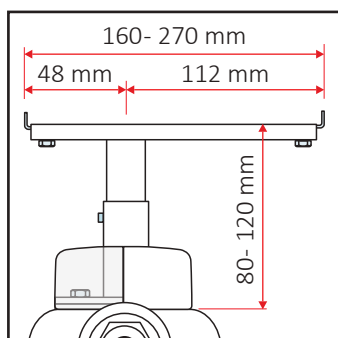
500

QX4
Ledge holder

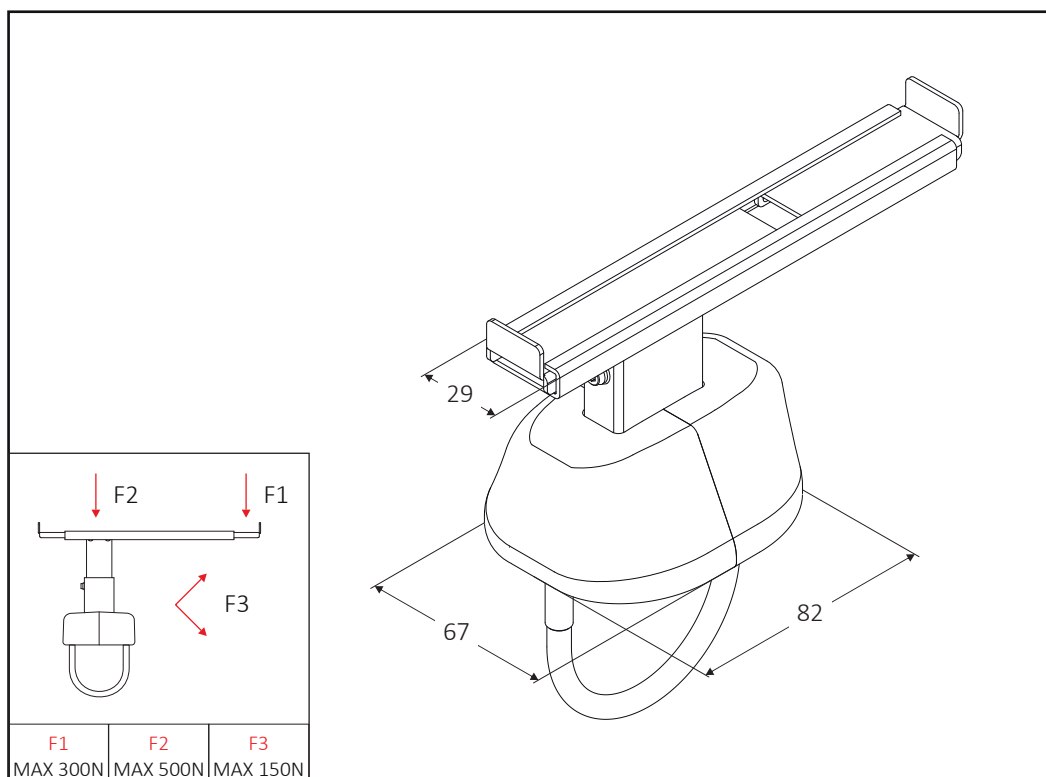
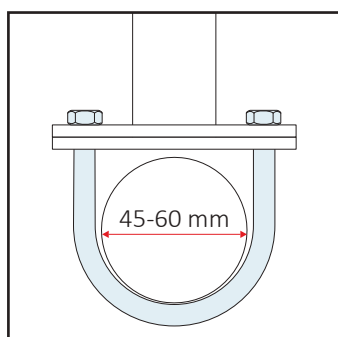


Regula on QX4

Measures are expressed in millimeters



Manifold dimensions



ACCESSOIRES

Kit of two supports for bench construction on 6-column radiators. Distance from radiator to bench = 60 mm.
Available narrow or large version, according to the radiator manufacturer.

BEMM, IRSAP, RONDRA, ZEHNDER



60780215 2x PGP 215



1

110

ARBONIA, CORDIVARI, DL RADIATORS, ERCOS, ZENITH

60780230 2x PGP 230



1

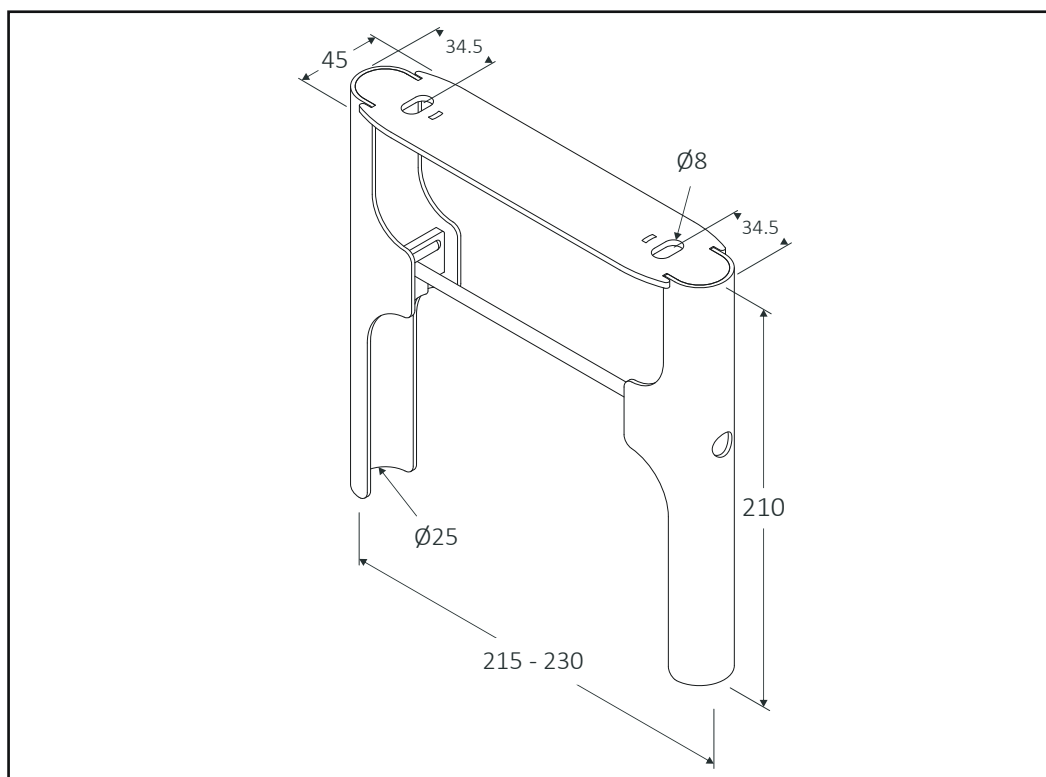
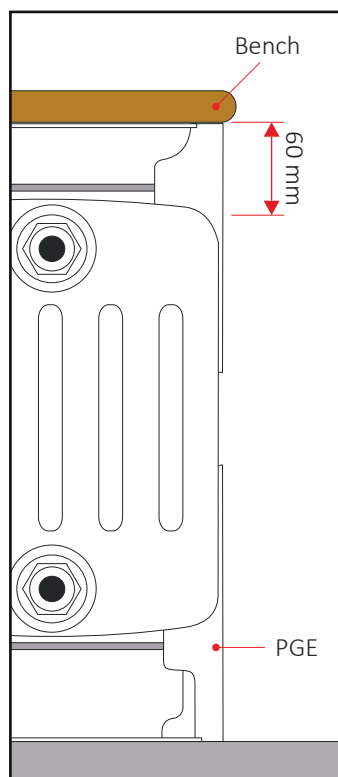
110

PGP
Support for bench



Distance PGP

Measures are expressed in millimeters



ACCESSOIRES

Kit of two floor brackets for the bench construction through the use of tubular radiators fixed horizontally, for **2, 4 and 6 columns**, white version. Raw or galvanized version on request. Kit does not include seat/shelf.



ON REQUEST

2x PTP



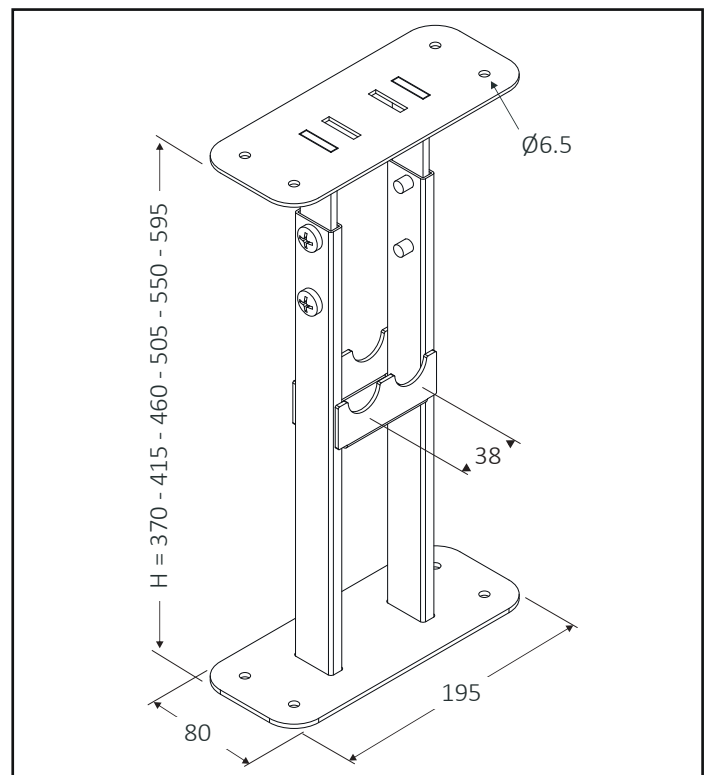
1

PTP

For radiators with 2-4-6 columns



Measures are expressed in millimeters



ACCESSOIRES

Kit of two floor brackets for the bench construction through the use of tubular radiators fixed horizontally, for **3 and 5 columns**, white version. Raw or galvanized version on request. Kit does not include seat/shelf.



ON REQUEST

2x PTD



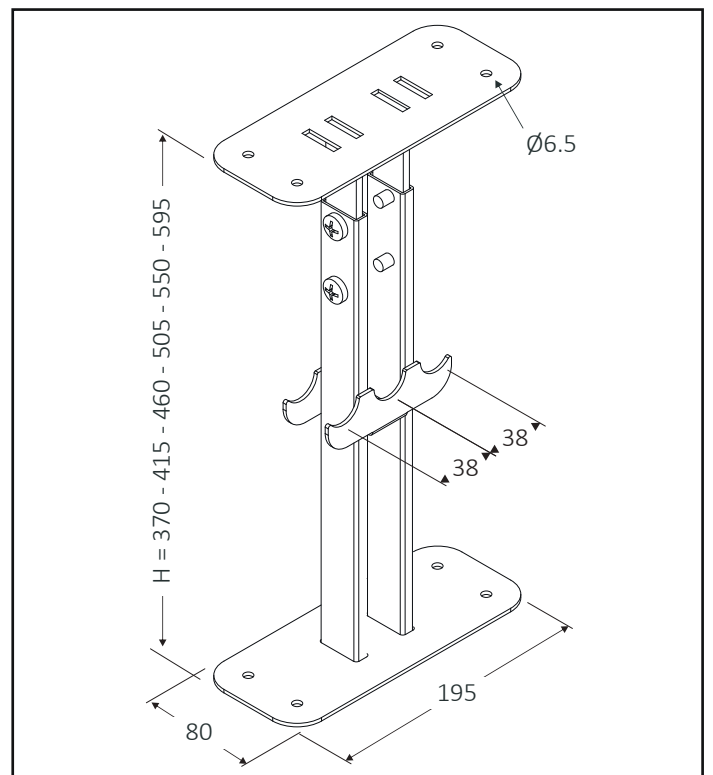
1

PTD

For radiators with 3-5 columns



Measures are expressed in millimeters





WE THINK THAT EVERY PROBLEM CAN BE SOLVED
WITH A TOUCH OF CREATIVITY

**MB FIX SRL SB - VIA MADONNA NERA 2/B
I - 31030 BORSO DEL GRAPPA (TV)**

marketing@mb-fix.it

Ph. +39 0423 913800
Fx. +39 0423 542188